



M.S.KENNEDY CORP.

HIGH POWER DUAL OPERATIONAL AMPLIFIER

154

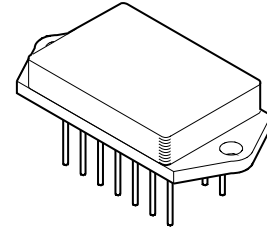
4707 Dey Road Liverpool, N.Y. 13088

(315) 701-6751

FEATURES:

- Space Efficient Dual Power Amplifier
- Low Cost
- High Voltage Operation: 150V
- Low Quiescent Current: 50mA Typ. Total
- High Output Current: 5A Min. Per Amp
- No Second Breakdown
- High Speed: 27V/ μ S Typ.
- Monolithic MOS Technology
- Internal Compensation For Gains Greater Than 10 V/V

MIL-PRF-38534 QUALIFIED

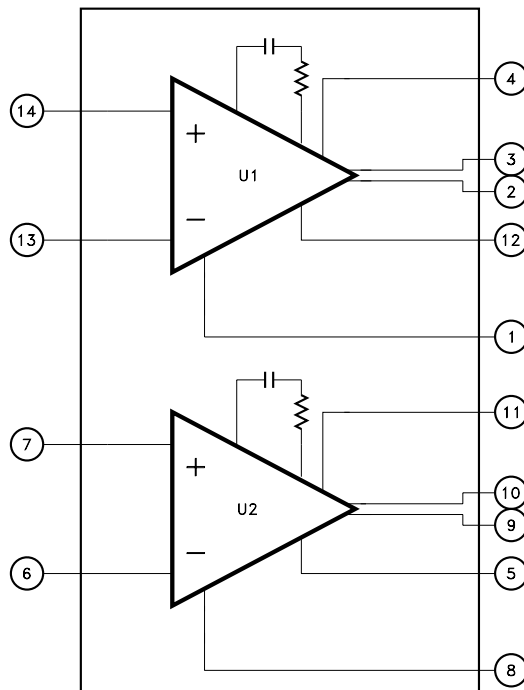


MSK154

DESCRIPTION:

The MSK 154 is a high power dual monolithic MOSFET operational amplifier ideally suited for high power amplification and magnetic deflection applications. With a total supply voltage rating of 150 volts and 5A of available output current per amplifier, the MSK 154 is also an excellent low cost choice for motor drive circuits. With both amplifiers in the same package, thermally induced output offset voltages are eliminated. The MOSFET output frees the MSK 154 from secondary breakdown limitations and power dissipation is kept to a minimum with a total quiescent current rating of only 50mA. The MSK 154 is packaged in a hermetically sealed 14 pin power dip with heat sink bolt down tabs.

EQUIVALENT SCHEMATIC



TYPICAL APPLICATIONS

- PA Audio
- Magnetic Deflection
- Motor Drive
- Noise Cancellation
- High Power Bridge Amplifier

PIN-OUT INFORMATION

1 -Vcc1	14 Non Inverting Input 1
2 Output Drive 1B	13 Inverting Input 1
3 Output Drive 1A	12 Current Sense1
4 +Vcc1	11 +Vcc 2
5 Current Sense 2	10 Output Drive 2A
6 Inverting Input 2	9 Output Drive 2B
7 Non Inverting Input 2	8 -Vcc 2

ABSOLUTE MAXIMUM RATINGS

V_{CC} ②	Total Supply Voltage	150V	T_{ST}	Storage Temperature	-65°C to +150°C
$\pm I_{OUT}$	Output Current (within S.O.A.)	$\pm 5A$	T_{LD}	Lead Temperature	300°C
V_{IND}	Input Voltage (Differential)	$\pm 16V$	T_C	Case Operating Temperature (MSK154B)	-55°C to +125°C
V_{IN}	Input Voltage (Common Mode)	$\pm V_{CC}$		(MSK154)	-40°C to +85°C
T_J	Junction Temperature	150°C	R_{TH}	Thermal Resistance (DC) Junction to Case	2.0°C/W

ELECTRICAL SPECIFICATIONS

Parameter	Test Conditions ①	Group A Subgroup	MSK154B			MSK154 ⑤			Units
			Min.	Typ.	Max.	Min.	Typ.	Max.	
STATIC									
Supply Voltage Range ② ④		-	± 15	± 50	± 75	± 15	± 50	± 75	V
Quiescent Current	Each Amp $V_{IN} = 0V$	1	-	± 25	± 50	-	± 25	± 50	mA
		2	-	± 20	± 45	-	-	-	mA
		3	-	± 30	± 65	-	-	-	mA
INPUT									
Offset Voltage	$V_{IN} = 0V$	1	-	± 5	± 10	-	± 5	± 15	mV
Offset Voltage Drift ④	$V_{IN} = 0V$	2,3	-	± 10	± 50	-	± 10	-	$\mu V/^\circ C$
Offset Voltage vs $\pm V_{CC}$ ④	$V_{IN} = 0V$	1	-	± 8	± 15	-	± 8	± 15	$\mu V/V$
Input Bias Current ④	$V_{CM} = 0V$	1,3	-	± 20	± 100	-	± 20	± 100	pA
		2	-	-	± 50	-	-	-	nA
Input Impedance ④	(DC)	-	-	10^{11}	-	-	10^{11}	-	Ω
Input Capacitance ④		-	-	5	-	-	5	-	pF
Common Mode Rejection ④	$V_{CM} = \pm 30VDC$	-	90	106	-	90	106	-	dB
Noise ④	10KHz BW	-	-	10	-	-	10	-	$\mu VRMS$
OUTPUT									
Output Voltage Swing	$R_L = 10K$	4	± 45	± 47	-	± 45	± 47	-	V
Output Voltage Swing	$I_{OUT} = 5A$ Pk	4	± 40	± 42	-	± 40	± 42	-	V
Power Bandwidth ④	$V_{OUT} = 80V_{PP}$	-	-	66	-	-	66	-	KHz
Settling Time to 0.1% ③ ④	10V Step	-	-	2	-	-	2	-	μS
Capacitive Load ④	$A_V = +10V/V$	-	10	-	-	10	-	-	nF
TRANSFER CHARACTERISTICS									
Slew Rate		4	20	27	-	20	27	-	$V/\mu S$
Open Loop Voltage Gain ④	$F = 15Hz$	4	94	106	-	94	106	-	dB

NOTES:

- ① Unless otherwise noted $\pm V_{CC} = \pm 50VDC$ and specifications apply to each amplifier.
- ② Derate maximum supply voltage 0.5V/°C below $T_C = +25^\circ C$. No derating is needed above $T_C = 25^\circ C$.
- ③ $A_V = -10V/V$ measured in false summing junction circuit.
- ④ Devices shall be capable of meeting the parameter, but need not be tested. Typical parameters are for reference only.
- ⑤ Industrial grade devices shall be tested to subgroups 1 and 4 unless otherwise requested.
- ⑥ Military grade devices ('B' suffix) shall be 100% tested to subgroups 1,2,3 and 4.
- ⑦ Subgroup 5 and 6 testing available upon request.
- ⑧ Subgroup 1,4 $T_C = +25^\circ C$
Subgroup 2,5 $T_C = +125^\circ C$
Subgroup 3,6 $T_A = -55^\circ C$

APPLICATION NOTES

CURRENT LIMIT (SEE TYPICAL CONNECTION DIAGRAM)

A value of current limit resistance can be calculated as follows:

$$R_{CL} = (0.83 - (0.05 * I_{CL})) / I_{CL}$$

Where:

RCL is the current limit resistor value

ICL is the current limit

0.05 * ICL is the voltage dropped in the current limit path across internal impedances other than the actual current limit resistor

0.83 volts is the voltage drop that must be developed across the current limit connections to activate the current limit circuit

The maximum practical value of current limit resistance is 16 ohms. The current limit resistor will decrease available output voltage swing in the following manner:

$$V_R = I_O * R_{CL}$$

V_R is the reduction in output voltage swing due to the current limit resistor. It is recommended the user limit output current to a value as close to the required output current as possible, without clipping output voltage swing. Current limit will vary with case temperature. Refer to the typical performance curves to predict current limit drift. If current limit is not required replace the resistor with a short.

STABILITY

It is recommended that the parallel sum of the input and feedback resistor be 1000 ohms or less to minimize phase shift caused by the R-C network formed by the input resistor, feedback resistor and input capacitance. An effective method of checking amplifier stability is to apply the worst case capacitive load to the output of the amplifier and drive a small signal square wave across it. If overshoot is less than 25%, the system will typically be stable.

INPUT PROTECTION

Input protection circuitry within the MSK 154 will clip differential input voltages greater than 16 volts. The inputs are also protected against common mode voltages up to the supply rails as well as static discharge. There are 300 ohm current limiting resistors in series with each input. These resistors may become damaged in the event the input overload is capable of driving currents above 1mA. If severe overload conditions are expected, external input current limiting resistors are recommended.

POWER SUPPLY DECOUPLING

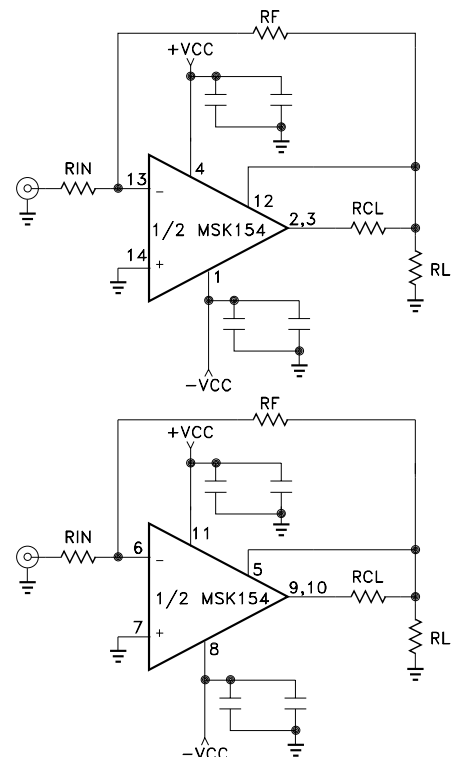
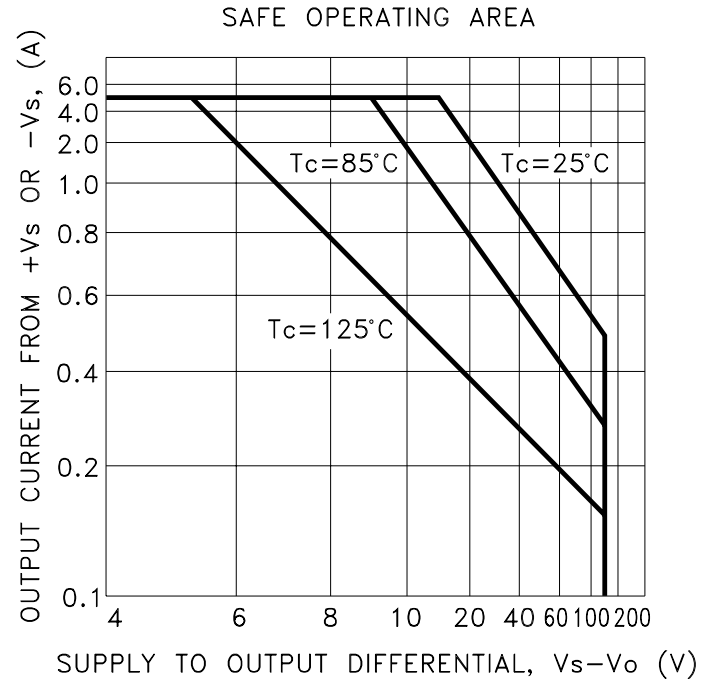
A 0.1 microfarad ceramic disc and low ESR capacitor with a value of 10 microfarads per amp of output current should be placed in parallel from each power supply pin to ground. These capacitors must be rated for the full power supply voltage. Since the MSK 154 is commonly used in circuits where the loop gain is greater than 10 V/V, high frequency noise that enters the op-amp through the power supply lines will be amplified and could cause the amplifier to break into oscillation. In addition, without supply bypassing, the inductance of the power supply lines interacts with capacitive loads to form an oscillatory LC tank circuit. The power supply decoupling capacitors will minimize this effect and keep the circuit stable.

SAFE OPERATING AREA (SOA)

The MOSFET output stage of this power operational amplifier has two distinct limitations:

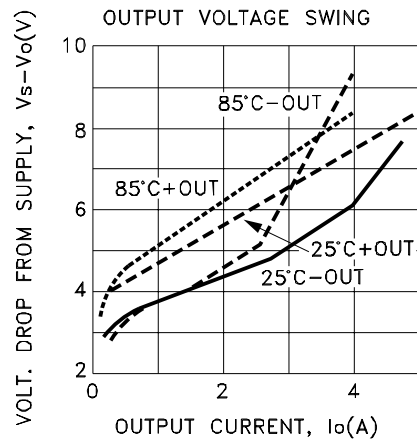
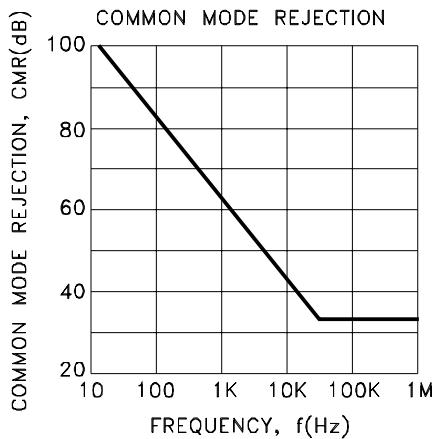
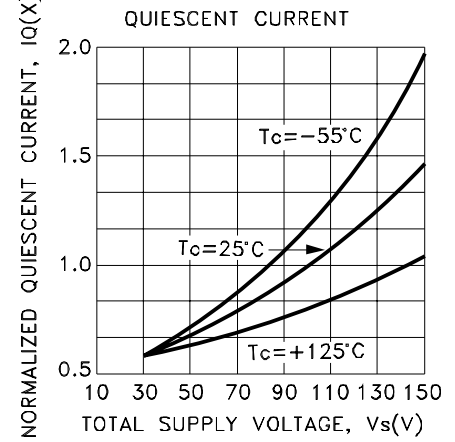
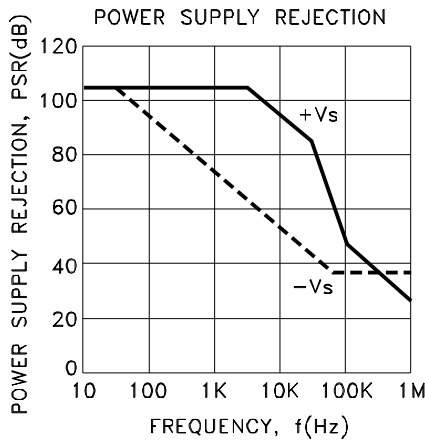
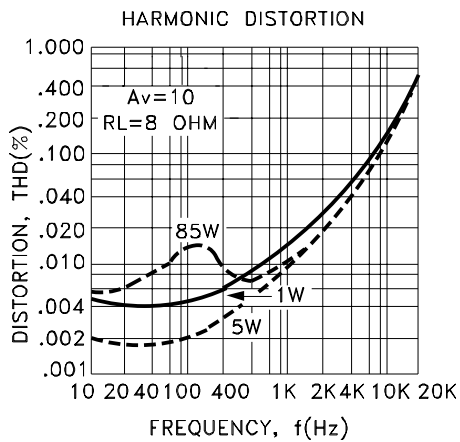
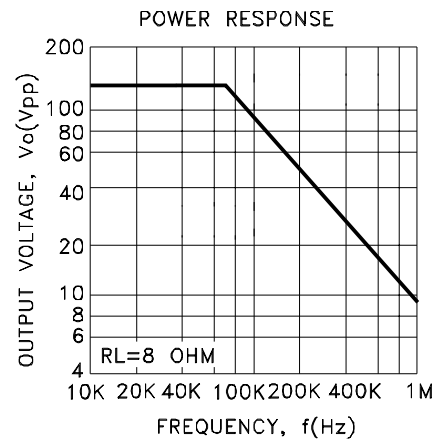
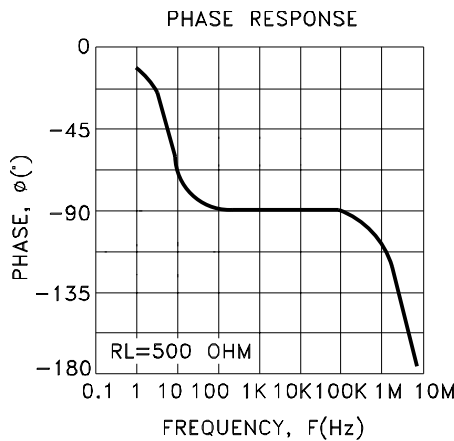
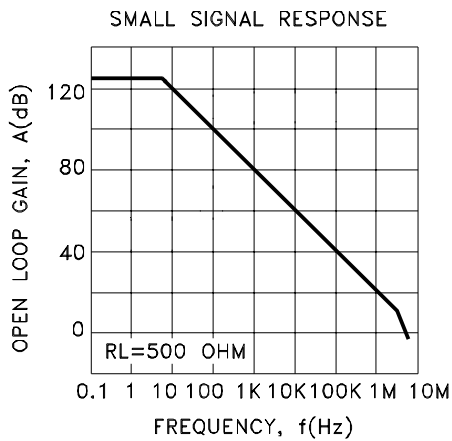
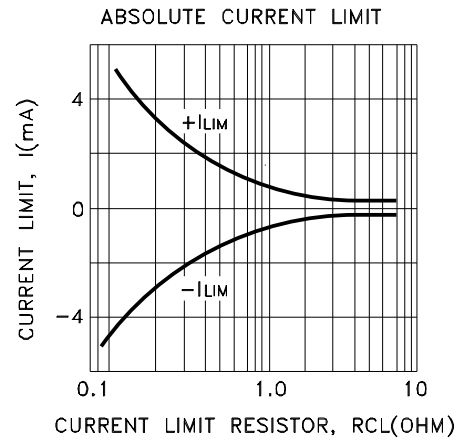
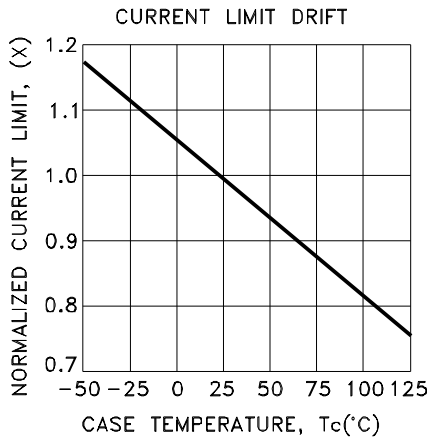
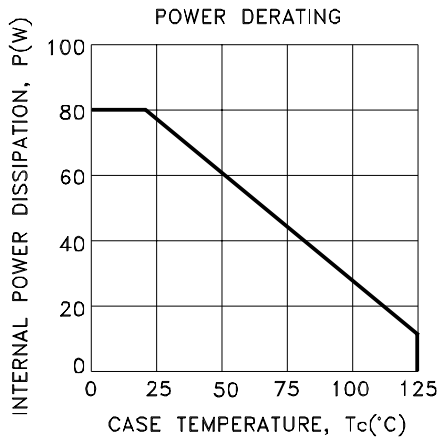
1. The current handling capability of the die metallization.
2. The junction temperature of the output MOSFET's.

NOTE: The output stage is protected against transient flyback. However, for protection against sustained, high energy flyback, external fast-recovery reverse biased diodes should be connected from the output to ground.

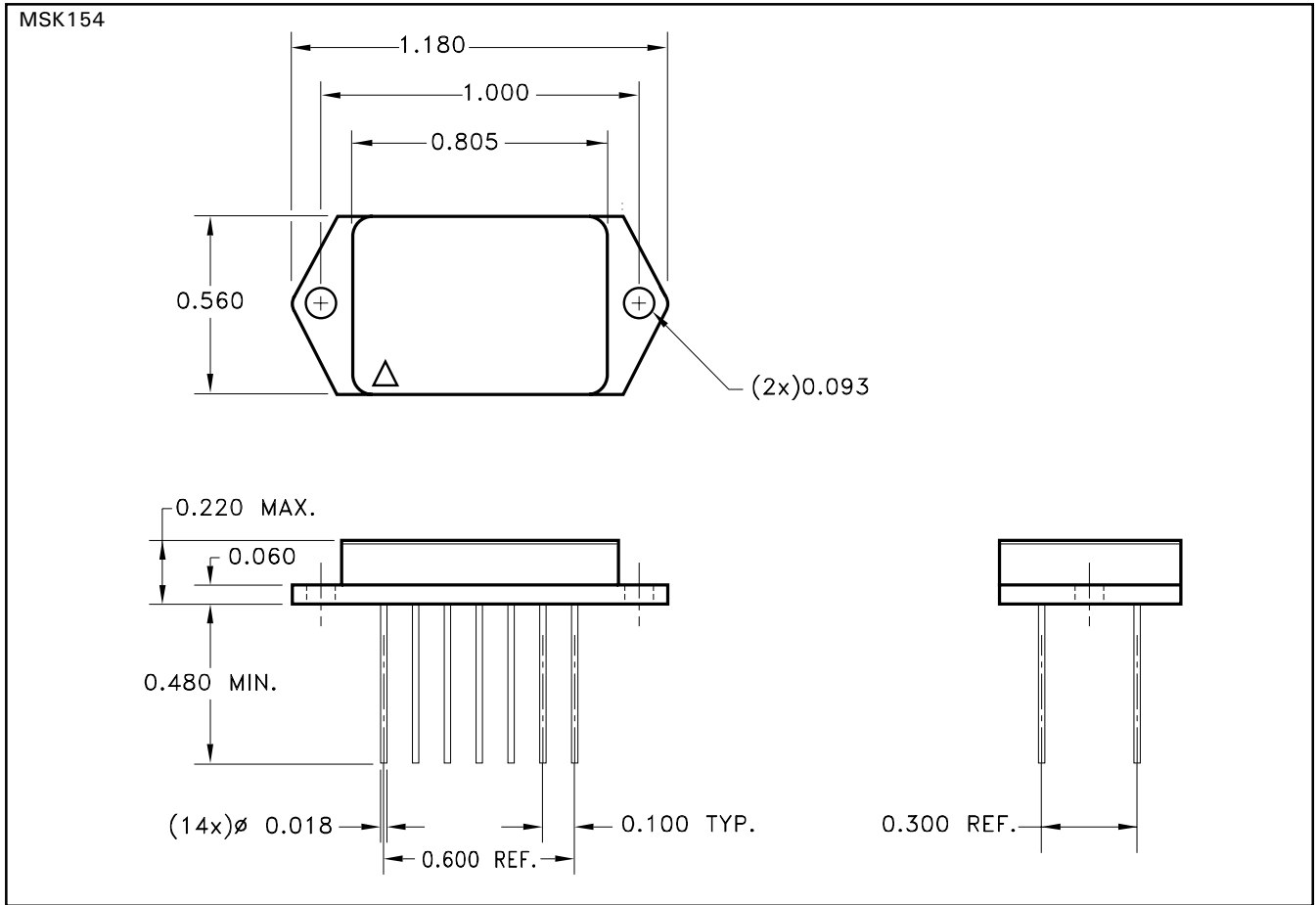


TYPICAL CONNECTION DIAGRAM

TYPICAL PERFORMANCE CURVES



MECHANICAL SPECIFICATIONS



ESD TRIANGLE INDICATES PIN 1.
 ALL DIMENSIONS ARE ± 0.010 INCHES UNLESS OTHERWISE LABELED.

ORDERING INFORMATION

Part Number	Screening Level
MSK154	Industrial
MSK154B	Military-Mil-PRF-38534

M.S. Kennedy Corp.
 4707 Dey Road, Liverpool, New York 13088
 Phone (315) 701-6751
 FAX (315) 701-6752
www.mskennedy.com

The information contained herein is believed to be accurate at the time of printing. MSK reserves the right to make changes to its products or specifications without notice, however, and assumes no liability for the use of its products.