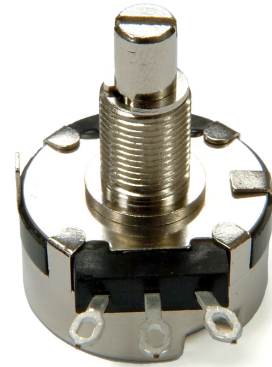


**Model P270**  
**27mm Rotary Potentiometer**  
**Long Life - 1 Million cycles**  
**Conductive Plastic Element**  
**Heavy Duty Applications**  
**Sealed Unit Available**  
**RoHS Compliant**



**MODEL STYLES**

Panel, Solder Lugs	P270
Panel, Solder Lugs, with Center Tap	P271

**ELECTRICAL<sup>1</sup>**

Resistance Range, Ohms	1K-1M $\Omega$
Standard Resistance Tolerance	$\pm 10\%$
Residual Resistance	6 $\Omega$ max.
Input Voltage, maximum	500 Vdc not to exceed power rating
Power rating, Watts	2 Watts @ 70°C
Dielectric Strength	1000VAC, 1 minute
Insulation Resistance, Minimum	50M ohms at 500Vdc
Sliding Noise	100mV max.
Actual Electrical Travel, Nominal	300°
Electrical Continuity, Nominal	312°

**MECHANICAL**

Total Mechanical Travel	312° $\pm 5^\circ$
Static Stop Strength	20 oz-in
Rotational Torque, Maximum	Dust Proof : 2.0.oz-in max. Sealed : 2.0 - 3.5 oz-in
Panel Nut Tightening Torque	25 lb-in

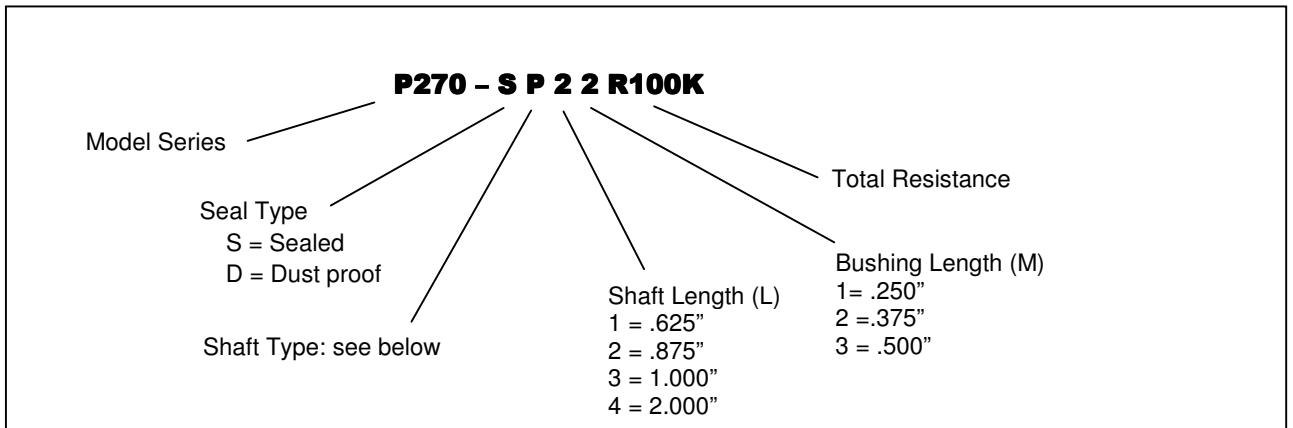
**ENVIRONMENTAL**

Operating Temperature Range	-55°C to +120°C
Rotational Load Life	1M Cycles (10% $\Delta R$ )

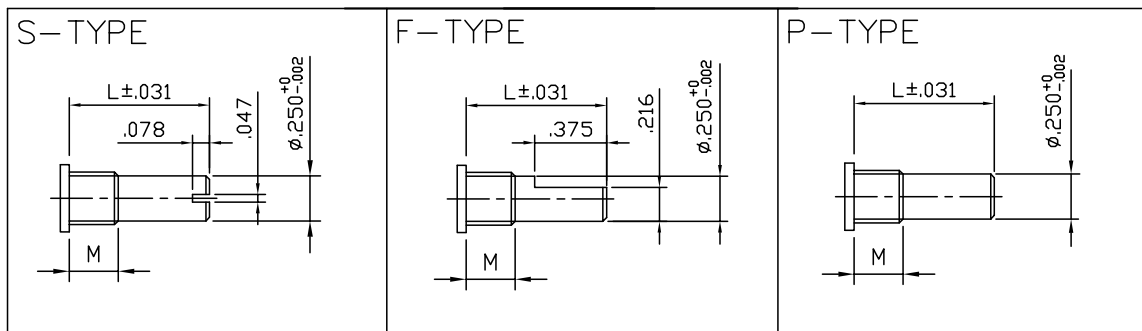
<sup>1</sup> Specifications subject to change without notice.

# Model P270

## ORDERING INFORMATION<sup>2</sup>



## Shaft Types

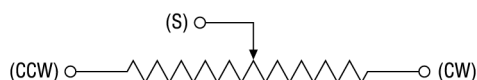


## STANDARD RESISTANCE VALUES, OHMS

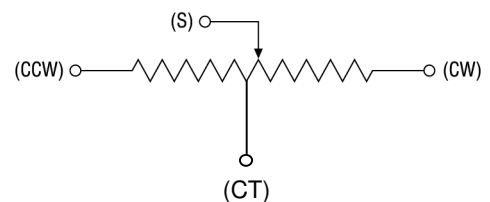
1K    2K    5K    10K    20K    50K    100K    200K    500K    1MEG

## CIRCUIT DIAGRAM

P270 (without Center Tap)



P271 (with Voltage Center Tap)

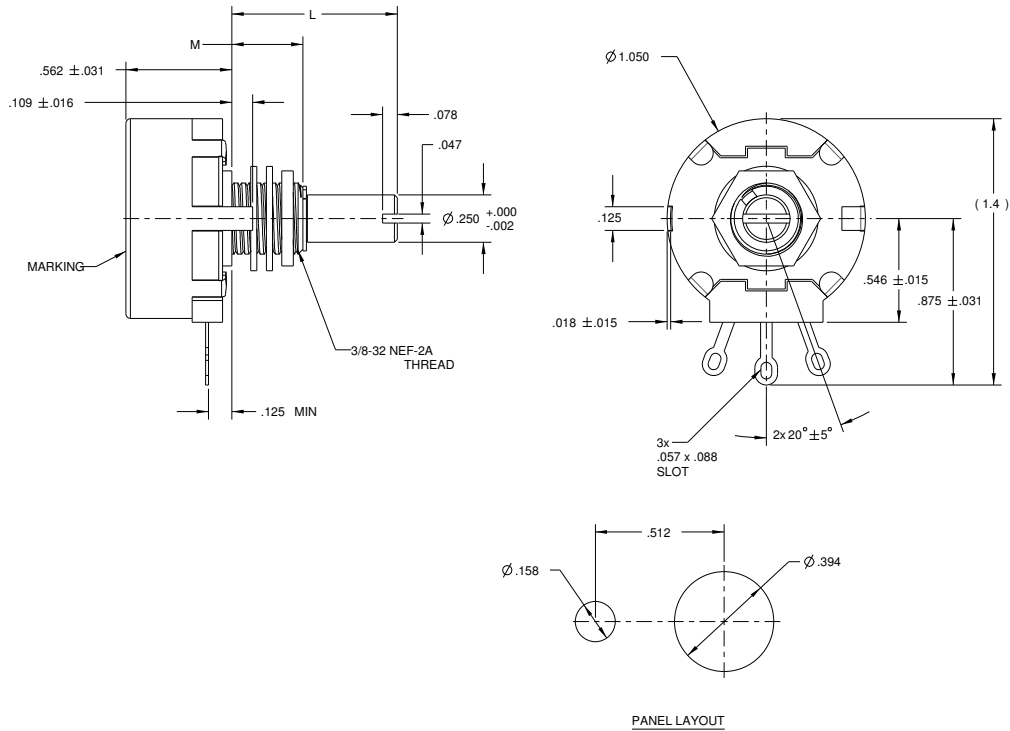


<sup>2</sup> Contact our customer service for custom designs and features.

# Model P270

## OUTLINE DRAWING

### Model 270



### Model 271 (Center Tap)

