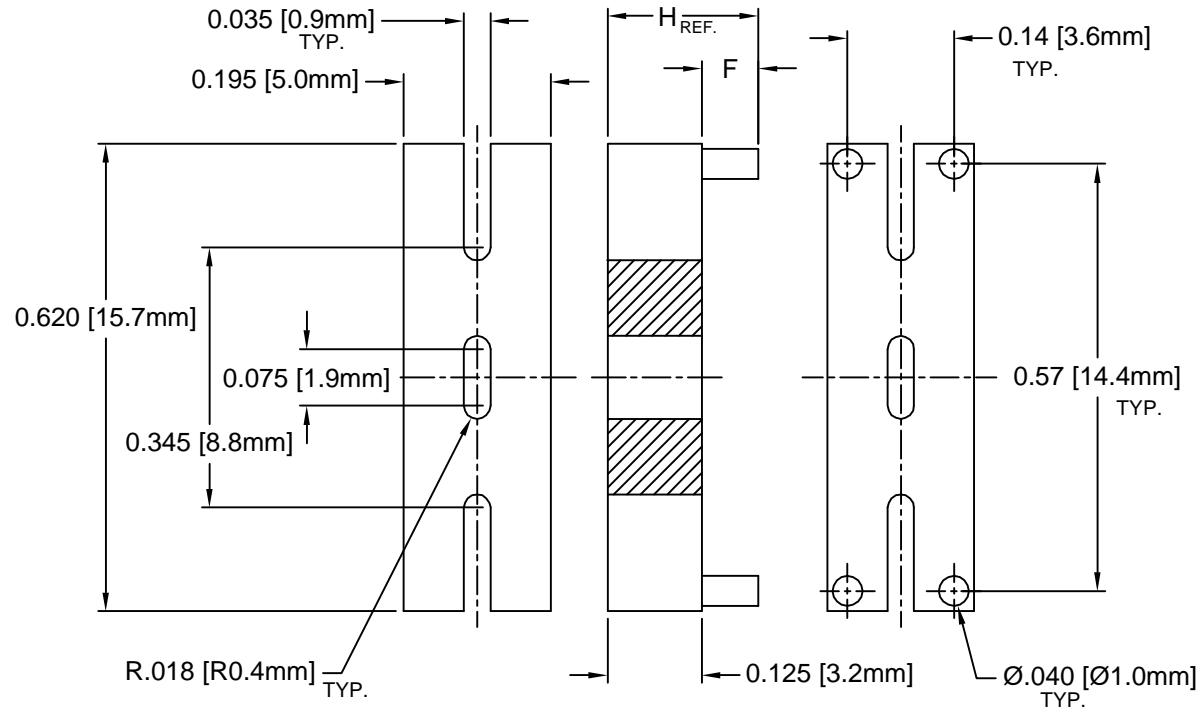

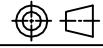


REV.	DESCRIPTION	DATE	APPROVED
A	Engineering Update w/o Changes	02/23/04	M. C.



PART NO.	H	F
426-125	.125 (3.2)	.000
426-150	.150 (3.8)	.025 (.64)
426-175	.175 (4.4)	.050 (1.3)
426-200	.200 (5.1)	.075 (1.9)

- 2. MATERIAL: NYLON 6/6, 94V-2, BLACK. BIVAR MATERIAL CODE 03-NL-BK. BASF ULTRAMID NYLON 6/6 A3K NATURAL W/BLACK PIGMENT ADDED.
- 1. GENERAL SPECIFICATIONS: BIVAR MOLDED COMPONENT SPECIFICATION BV00-E101.

STANDARD TOLERANCE (UNLESS OTHERWISE SPECIFIED)		 <b>BIVAR</b> <sup>®</sup> 4 THOMAS, IRVINE, CA. 92618 TEL: (949) 951-8808 FAX: (949) 951-3974	
DECIMALS	ANGULAR		
.X ±.1	X° ± 1°	 <b>TITLE: MOULDED POWER TRANSISTOR MOUNT (TO-247)</b>	
.XX ±.01			
.XXX ±.005			
DESIGNED: <b>Shane Irving</b>	DATE: <b>11/04/98</b>	<b>PART NO:</b> 426-XXX	REVISION: <b>A</b>
CHECKED: <b>D. Green</b>	DATE: <b>11/04/98</b>	<b>CAGE CODE : 32559</b>	<b>SHEET # 1 OF 1</b>
CAD GENERATED DOCUMENT. DO NOT MEASURE DRAWING.			