



Low-Power Precision Voltage Detector

FEATURES

- Ultra Low Current Consumption 2.4 μ A
- Accurate Voltage Detection Threshold
- Fine Voltage Detection Threshold Resolution
- Open Drain Output (Active Low)
- Industrial temperature range -40°C to +85°C
- 5-pin TSOT-23 RoHS compliant package

APPLICATIONS

- Battery-Powered Systems
- Power Supply Monitoring
- Handheld and Portable Equipment
- Processor Supervisor Reset

DESCRIPTION

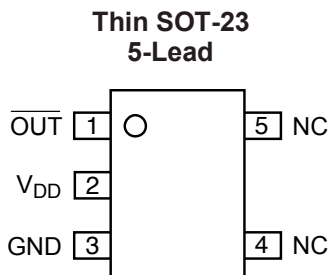
The CAT808 is a high-precision voltage detector designed for monitoring single cell and multi-cell batteries. Voltage detection thresholds between 2.0 V and 3.5 V are provided with 0.1 V resolution and $\pm 3.0\%$ accuracy.

The CAT808 open-drain output is active low until the V_{DD} voltage exceeds the detection threshold. A low hysteresis is built into the device to minimize output “chatter”, while V_{DD} passes through the detection threshold, and the output transitions high.

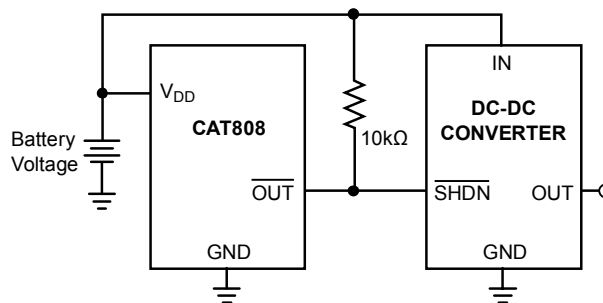
After the CAT808 asserts the output high condition, it continues to monitor V_{DD} until it drops below the detection threshold, when the output goes low until V_{DD} once again exceeds the detection threshold.

For Ordering Information details, see page 6.

PIN CONFIGURATION



TYPICAL APPLICATION



Note: The value of the pull-up resistor is not critical

ABSOLUTE MAXIMUM RATINGS ⁽¹⁾

Parameters	Ratings	Units
Temperature under Bias	-55 to +125	°C
Storage Temperature	-65 to +150	°C
Voltage on any Pin with Respect to GND ⁽²⁾⁽³⁾	-2.0 to V _{DD} + 2.0	V
V _{DD} with Respect to GND	-2.0 to 7.0	V
Lead Soldering temperature (10 seconds)	+300	°C
Power Dissipation	250	mW

RECOMMENDED OPERATING CONDITIONS

Parameters	Ratings	Units
V _{DD}	+1.2 to +6.0	V
Operating Temperature Range	-40 to +85	°C

DC ELECTRICAL CHARACTERISTICS

T_A = -40°C to +85°C, V_{DD} = 1.2V to 6.0V

Symbol	Parameter	Conditions	Min	Typ.	Max	Units	
V _{DET}	Detection Voltage	CAT808Nxxx-25	2.43	2.5	2.57	V	
		CAT808Nxxx-27	2.62	2.7	2.78		
		CAT808Nxxx-32	3.12	3.2	3.28		
		CAT808Nxxx-35	3.42	3.5	3.58		
I _{DD}	Current Consumption	V _{DD} = 4.0 V	-	2.4	5	µA	
		V _{DD} = 5.0 V	-	3.5	7		
		V _{DD} = 6.0 V	-	5	10		
I _{OUT}	Output Sink Current	V _{DS} = 0.5 V	V _{DD} =1.2 V	0.6	1.4	-	mA
			V _{DD} =2.4 V	2.9	5	-	
I _{LEAK}	Output Leakage Current	V _{DS} = 5.0 V, V _{DD} = 5.0 V	-	-	1	µA	
T _{PHL/LH}	Response Time	-	-	-	60	µs	
$\frac{\Delta V_{DET}}{\Delta T_A \bullet V_{DET}(typ)}$	Detection Voltage Temperature Coefficient ⁽⁴⁾		-	±10	±100	ppm/°C	

Notes:

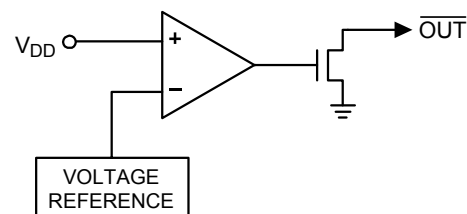
- (1) Stresses above those listed under "Absolute Maximum Ratings" may cause permanent damage to the device. These are stress ratings only and functional operation of the devices at these or any other conditions outside of those listed in the operational sections of this specification is not implied. Exposure to any absolute maximum rating for extended periods may affect device performance and reliability.
- (2) The Minimum DC input voltage is -0.5 V. During transitions, inputs may undershoot to -2.0 V for periods of less than 20 ns. Maximum DC voltage on output pins is V_{CC} +0.5 V, which may overshoot to V_{CC} +2.0 V for periods of less than 20 ns.
- (3) Latch-up protection is provided for stresses up to 100 mA on all pins from -1 V to V_{CC} +1 V.
- (4) The temperature change ratio in the detection voltage [ppm/°C] is calculated by using the following equation:

$$\frac{\Delta V_{DET}}{\Delta T_A \bullet V_{DET}(typ)} \times 1,000,000 [ppm / ^\circ C]$$

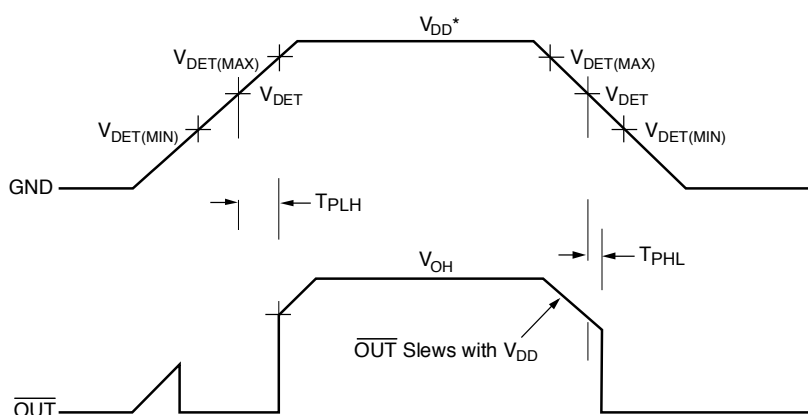
OPERATION – VOLTAGE DETECTOR

The CAT808 has an active low output that asserts (pulls low) when the supply voltage drops below the detection threshold voltage (V_{DET}). The open-drain output requires an external pull-up resistor between the output pin and the supply voltage (as shown in the typical application diagram). On power-up, \overline{OUT} is held active low until the supply voltage (V_{DD}) rises above V_{DET} . While V_{DD} is above V_{DET} , \overline{OUT} stays high until V_{DD} drops below V_{DET} , then \overline{OUT} once again goes low.

BLOCK DIAGRAM



TIMING DIAGRAM



* Voltage of V_{DD} below 1 volt will not be able to maintain low output.

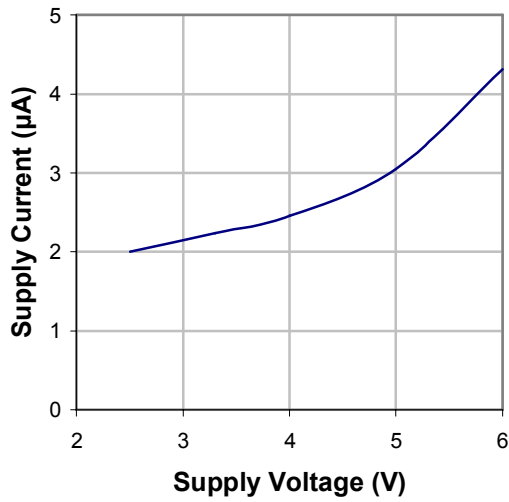
PIN FUNCTIONS

Pin	Function
V_{DD}	Voltage Input and Power Supply
GND	Ground Pin
\overline{OUT}	Active Low Open Drain output
NC	No Connect, the pin is electrically open

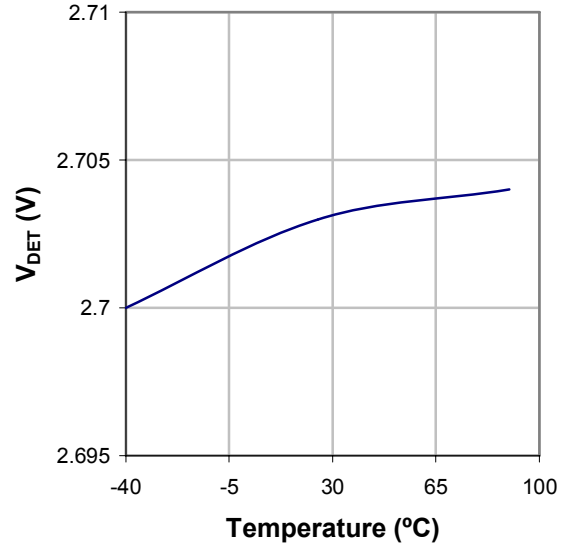
TYPICAL ELECTRICAL OPERATING CHARACTERISTICS

Typical values at $T_A = 25^\circ\text{C}$.

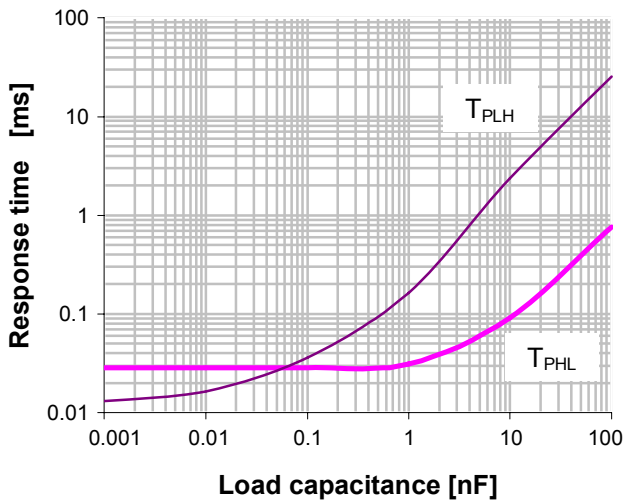
V_{DD} Supply Current vs. V_{DD} Supply Voltage



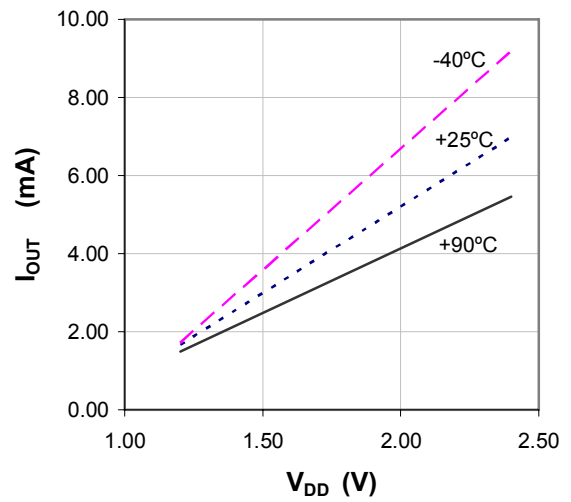
V_{DET} Detection Voltage vs. Temperature



Response time vs. Load Capacitance

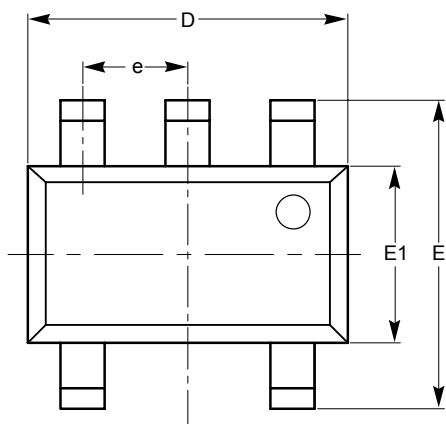


I_{OUT} Transistor Output Current vs. V_{DD} Supply Voltage



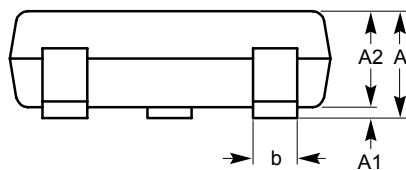
PACKAGE OUTLINE DRAWINGS

TSOT-23 5-Lead (TD) ⁽¹⁾⁽²⁾

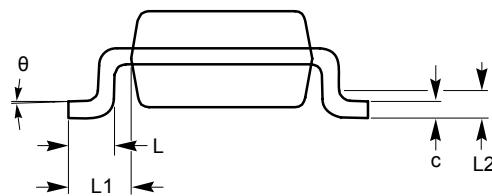


TOP VIEW

SYMBOL	MIN	NOM	MAX
A			1.00
A1	0.01	0.05	0.10
A2	0.80	0.87	0.90
b	0.30		0.45
c	0.12	0.15	0.20
D	2.90 BSC		
E	2.80 BSC		
E1	1.60 BSC		
e	0.95 TYP		
L	0.30	0.40	0.50
L1	0.60 REF		
L2	0.25 BSC		
θ	0°		8°



SIDE VIEW

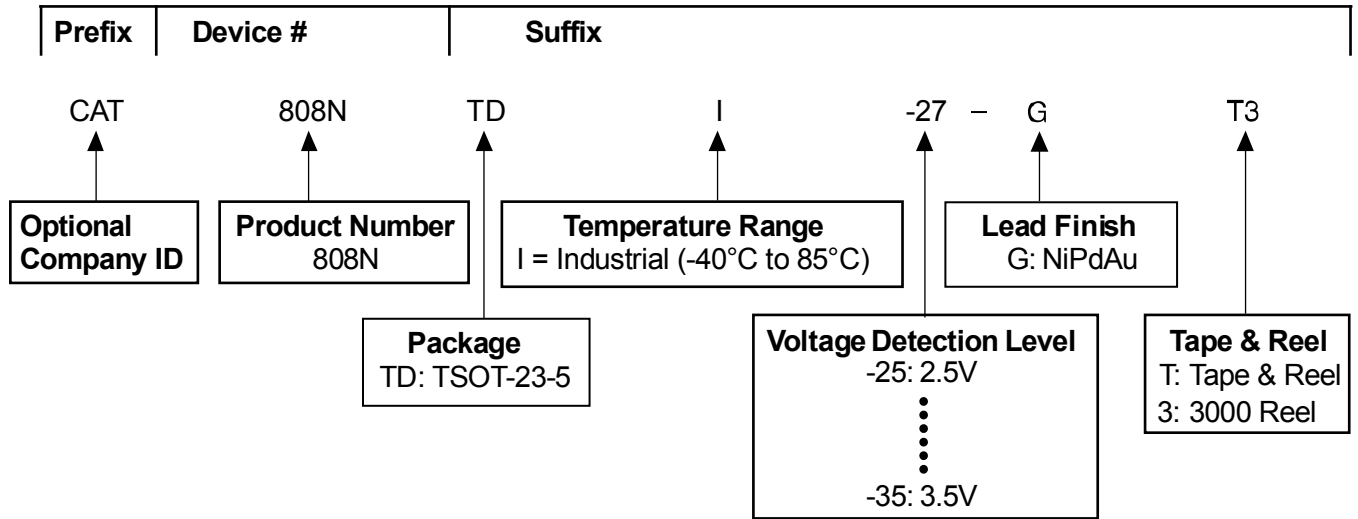


END VIEW

Notes:

- (1) All dimensions are in millimeters. Angles in degrees.
- (2) Complies with JEDEC specification MO-193.

EXAMPLE OF ORDERING INFORMATION



Notes:

- (1) All packages are RoHS-compliant (Lead-free, Halogen-free).
- (2) The standard finish is NiPdAu.
- (3) The device used in the above example is a CAT808NTDI-27GT3 (TSOT-23-5, Industrial Temperature, 2.7 V Detection Level, NiPdAu, Tape & Reel, 3000 Reel).
- (4) For additional detection voltage, package and temperature options, please contact your nearest ON Semiconductor Sales office.

ORDERING INFORMATION

Orderable Part Number	Package	Detection Voltage [V]	Top Marking
CAT808NTDI-25GT3	TSOT-23-5	2.50	MVym
CAT808NTDI-27GT3	TSOT-23-5	2.70	MVym
CAT808NTDI-32GT3	TSOT-23-5	3.20	MVym
CAT808NTDI-35GT3	TSOT-23-5	3.50	MVym


* Part number is not exactly the same as the "Example of Ordering Information" shown above. For part numbers marked with * there are two hyphens in the orderable part number.

Notes:

- (1) ym – Year and Month Code.

REVISION HISTORY

Date	Rev.	Description
7-Nov-06	A	Initial Issue
10-May-07	B	Update Features Update Description Update DC Electrical Characteristics Update Example of Ordering Information Update Top Marking
5-Nov-08	C	Added MD- to document number Change logo and fine print to ON Semiconductor
17-Mar-09	D	Update Package Outline Drawing - SOT-89 3-Lead (TF)
13-Jul-09	E	Update Ordering Information table
17-May-10	F	Update DC Electrical Characteristics Remove SOT-89 Package Update Example of Ordering Information Update Ordering Information

ON Semiconductor and  are registered trademarks of Semiconductor Components Industries, LLC (SCILLC). SCILLC reserves the right to make changes without further notice to any products herein. SCILLC makes no warranty, representation or guarantee regarding the suitability of its products for any particular purpose, nor does SCILLC assume any liability arising out of the application or use of any product or circuit, and specifically disclaims any and all liability, including without limitation special, consequential or incidental damages. "Typical" parameters which may be provided in SCILLC data sheets and/or specifications can and do vary in different applications and actual performance may vary over time. All operating parameters, including "Typicals" must be validated for each customer application by customer's technical experts. SCILLC does not convey any license under its patent rights nor the rights of others. SCILLC products are not designed, intended, or authorized for use as components in systems intended for surgical implant into the body, or other applications intended to support or sustain life, or for any other application in which the failure of the SCILLC product could create a situation where personal injury or death may occur. Should Buyer purchase or use SCILLC products for any such unintended or unauthorized application, Buyer shall indemnify and hold SCILLC and its officers, employees, subsidiaries, affiliates, and distributors harmless against all claims, costs, damages, and expenses, and reasonable attorney fees arising out of, directly or indirectly, any claim of personal injury or death associated with such unintended or unauthorized use, even if such claim alleges that SCILLC was negligent regarding the design or manufacture of the part. SCILLC is an Equal Opportunity/Affirmative Action Employer. This literature is subject to all applicable copyright laws and is not for resale in any manner.

PUBLICATION ORDERING INFORMATION

LITERATURE FULFILLMENT:

Literature Distribution Center for ON Semiconductor
P.O. Box 5163, Denver, Colorado 80217 USA
Phone: 303-675-2175 or 800-344-3860 Toll Free USA/Canada
Fax: 303-675-2176 or 800-344-3867 Toll Free USA/Canada
Email: orderlit@onsemi.com

N. American Technical Support: 800-282-9855 Toll Free
USA/Canada
Europe, Middle East and Africa Technical Support:
Phone: 421 33 790 2910
Japan Customer Focus Center:
Phone: 81-3-5773-3850

ON Semiconductor Website: www.onsemi.com

Order Literature: <http://www.onsemi.com/orderlit>

For additional information, please contact your local Sales Representative