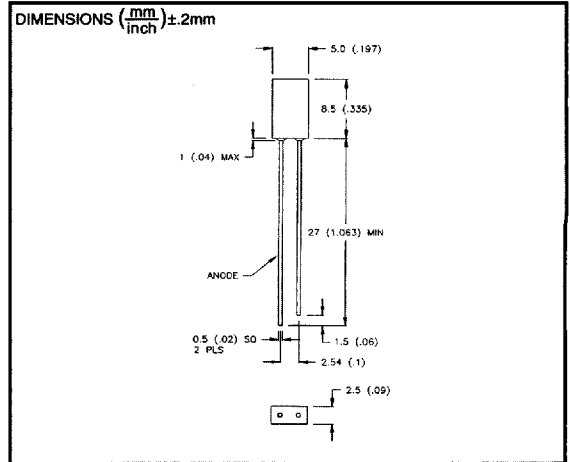


SSL-LX25593XX SERIES 2.5x5 RECTANGULAR LEDS

LUMEX PART NBR	EMITTED COLOR		EPOXY LENS COLOR	BRIGHTNESS		VIEW ANGLE	VI@20mA	
	PEAK(nm)	LENS COLOR		TYP.(mcd.)	II(mA)		TYP.	MAX
SSL-LX25593ID	RED	635	RED DIFF.	10	20	80	2.0	2.8
SSL-LX25593SRD	RED	660	RED DIFF.	40	20	80	1.7	2.2
SSL-LX25593GD	GREEN	565	GREEN DIFF.	10	20	80	2.1	2.8
SSL-LX25593YD	YELLOW	585	YELLOW DIFF.	10	20	80	2.1	2.8
BI-COLOR OPTIONS								
SSL-LX25593HGW	RED/GREEN	695/565	WHITE DIFF.	6/6	20/20	80	2.0	2.8

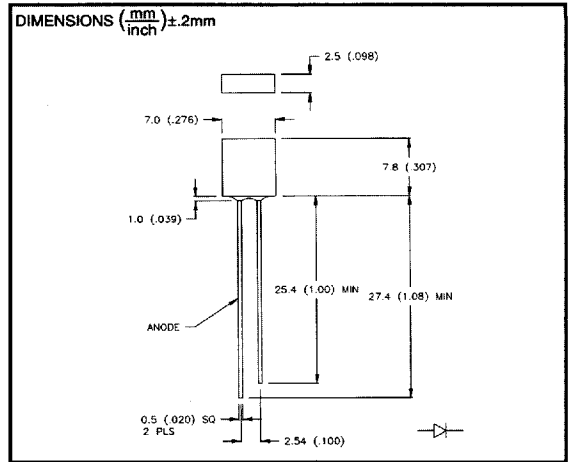
See pages 8 -14 for Max. operating limits and operating curves



SSL-LX25783XX SERIES 2.5x7mm RECTANGULAR LEDS

LUMEX PART NBR	EMITTED COLOR		EPOXY LENS COLOR	BRIGHTNESS		VIEW ANGLE	VI@20mA	
	PEAK(nm)	LENS COLOR		TYP.(mcd.)	II(mA)		TYP.	MAX
SSL-LX25783ID	RED	635	RED DIFF.	7	20	80	2.0	2.8
SSL-LX25783SRD	RED	660	RED DIFF.	20	20	80	1.7	2.2
SSL-LX25783GD	GREEN	565	GREEN DIFF.	4	20	80	2.1	2.8
SSL-LX25783YD	YELLOW	585	YELLOW DIFF.	4	20	80	2.1	2.8
BI-COLOR OPTIONS								
SSL-LX25783HGW	RED/GREEN	695/565	WHITE DIFF.	5/5	20/20	80	2.0	2.8

See pages 8 -14 for Max. operating limits and operating curves

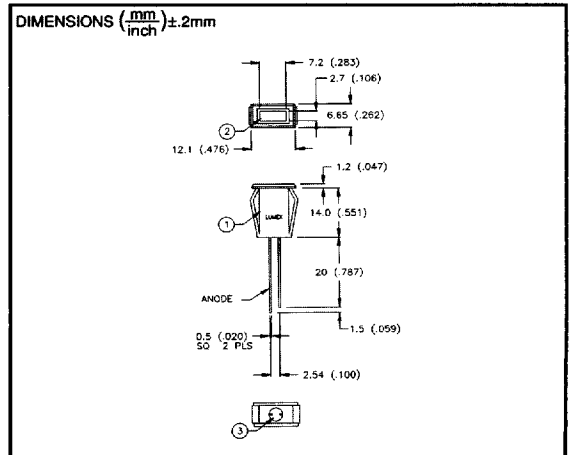


SSI-LXH072XX SERIES 2.5x7 PANEL LED INDICATORS

LUMEX PART NBR	EMITTED COLOR		OPERATING CURRENT (mA)	OPERATING TYP Volts (V)	BRIGHTNESS		LED SERIES USED
	PEAK(nm)	LENS COLOR			TYP (MRD) @	mA	
SSI-LXH072ID	RED	635	10-25	2.1	8	20	SSL-LX25783XX
SSI-LXH072SRD	RED	660	10-25	1.7	30	20	SSL-LX25783XX
SSI-LXH072GD	GREEN	565	10-25	2.1	8	20	SSL-LX25783XX
SSI-LXH072YD	YELLOW	585	10-25	2.1	8	20	SSL-LX25783XX
BI-COLOR OPTION							
SSI-LXH072HGW	RED/GREEN	695/565	10-25	2.1	6/6	20	SSL-LX25783XX

INSULATED LEAD OPTIONS ADD -150 TO PART NBR (6" LENGTH)

See pages 8 -14 for Max. operating limits and operating curves



5616113 0001026 104