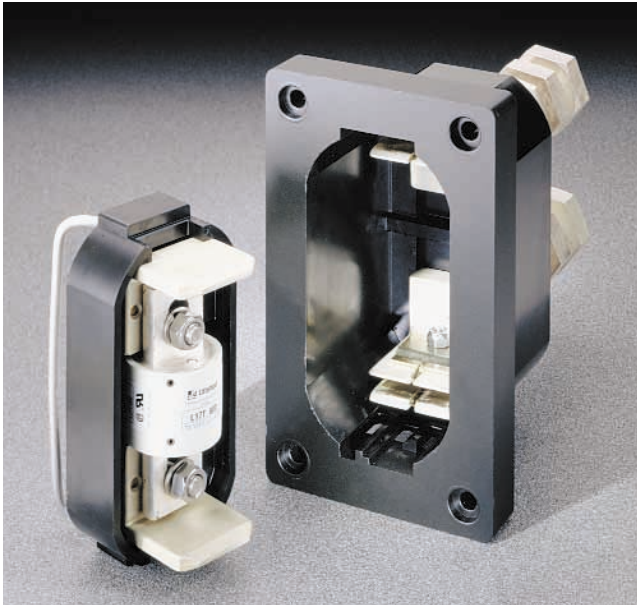


LTFD Series Telecommunications Disconnect Switch

145 VDC, 60 VDC ■ 70 – 1200 Amperes

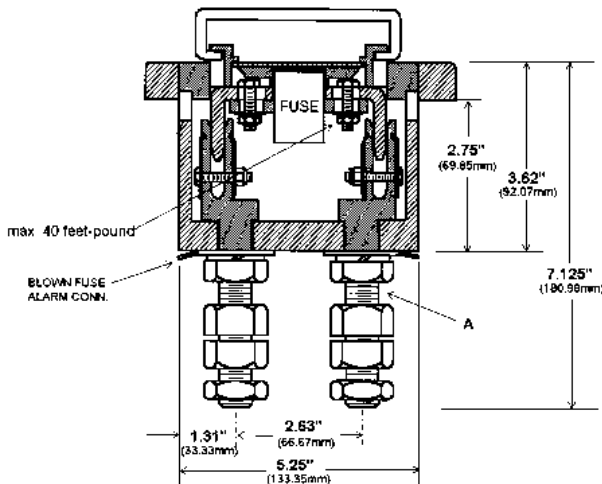
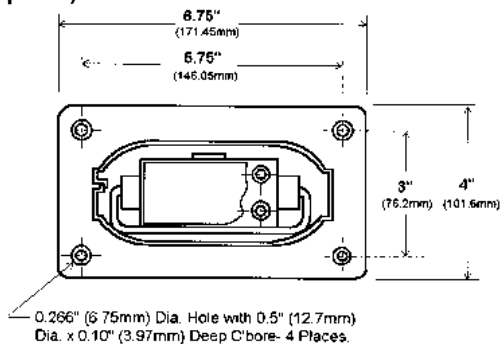


NEW



Littelfuse's compact LTFD Series holders are designed for use as a combination fuseholder and disconnect switch for telecommunications equipment. The rugged unit utilizes a pull-out fuse carrier to safely disconnect power and provide easy fuse replacement.

LTFD 6001 Series (0–800 Amperes)



SPECIFICATIONS

Voltage Rating: 145 VDC 70 – 600 amperes
60 VDC 800 – 1200 amperes

Ampere Range: 70 – 1200 amperes

Approvals: UL Recognized (E122674)

RECOMMENDED FUSES

L17T Series fuses

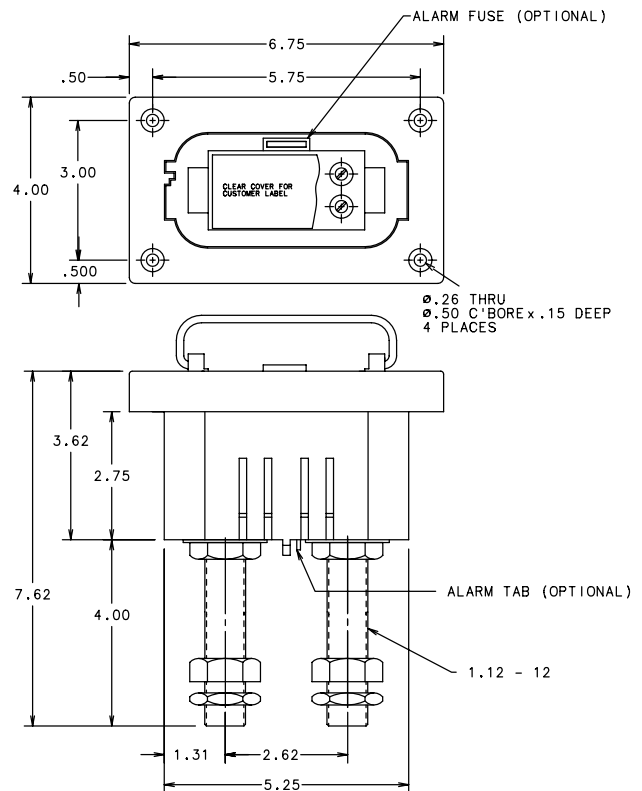
ORDERING INFORMATION

| Catalog No. | Stud Size (A) | Amperes | Contact Nut Max. Torque |
|--------------|--------------------|------------|-------------------------|
| LTFD6001-00 | 3/4 – 16 x 3.5 in. | 70 – 600 | 100 foot-pound |
| LTFD6001-01 | 7/8 – 14 x 3.5 in. | 70 – 800 | 120 foot-pound |
| LTFD1200-01 | 1.12 – 12 x 4 in | 900 – 1200 | 120 foot-pound |
| LTFD1200-01A | 1.12 – 12 x 4 in | 900 – 1200 | 120 foot-pound |

FEATURES

- Innovative pullout design of the 1200A switch eliminates the need for tools to replace the fuse
- Thermoplastic housing material
- Alarm signaling circuit

LTFD 1200A (9–1200 Amperes)



Dimensions for reference only.