

PLEASE CHECK WWW.MOLEX.COM FOR LATEST PART INFORMATION

Part Number: [0850131768](#)
Status: **Active**
Overview: [din_41612](#)
Description: 2.54mm (.100") Pitch DIN 41612 Header, Style R/2 Reverse, 1µm (40µ") Selective Gold (Au) ,48 Circuits

Documents:

[3D Model](#) [RoHS Certificate of Compliance \(PDF\)](#)
[Drawing \(PDF\)](#)

Agency Certification

CSA LR19980
 UL E29179

General

Product Family Backplane Connectors
 Series [85013](#)
 Application Backplane
 Component Type PCB Header
 Overview [din_41612](#)
 Product Name IEC 603-2/DIN 41612
 Style R/2

Physical

Circuits (Loaded) 48
 Circuits (maximum) 48
 Circuits Detail Rows A, B, & C
 Durability (mating cycles max) 500
 Flammability 94V-0
 Guide to Mating Part No
 Keying to Mating Part Yes
 Number of Columns 16
 Number of Pairs Open Pin Field
 Number of Rows 3
 Orientation Vertical
 PC Tail Length (in) 0.177 In
 PC Tail Length (mm) 4.50 mm
 PCB Locator No
 PCB Retention Yes
 PCB Thickness Recommended (in) 0.062 In
 PCB Thickness Recommended (mm) 1.60 mm
 Packaging Type Bag
 Pitch - Mating Interface (in) 0.100 In
 Pitch - Mating Interface (mm) 2.54 mm
 Pitch - Term. Interface (in) 0.100 In
 Pitch - Term. Interface (mm) 2.54 mm
 Surface Mount Compatible (SMC) No
 Temperature Range - Operating -55°C to +125°C

Electrical

Current - Maximum per Contact 1A
 Data Rate 622.0 Mbps
 Voltage - Maximum 1000V (RMS)

Material Info

Reference - Drawing Numbers

EU RoHS **China RoHS**

Compliance Status

Not Reviewed

REACH SVHC

Not Reviewed

Halogen-Free

Status

Not Reviewed

Need more information on product environmental compliance?

Email productcompliance@molex.com
 For a multiple part number RoHS Certificate of Compliance, [click here](#)

Please visit the [Contact Us](#) section for any non-product compliance questions.

Search Parts in this Series

[85013Series](#)

Mates With

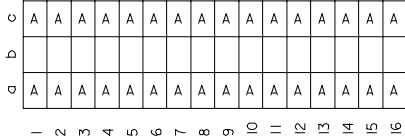
[85042 Backplane Header](#), [85052 Backplane Header](#)

This document was generated on 05/17/2010

PLEASE CHECK WWW.MOLEX.COM FOR LATEST PART INFORMATION

20 19 18 17 16 15 14 13 12 11 9 8 7 6 5 4 3 2 1


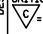
VIEW ON MATING SIDE



A = 32 STANDARD CONTACTS L = 2

MARKING	STANDARD
PERFORMANCE LEVEL	G/O = CONTACT AREA LEVEL 1 / TERMINATION TIN
FLUX PROOF	NO
FIXING CLIP	NO
DIMENSIONS	SD-85013-0002 SHT 1

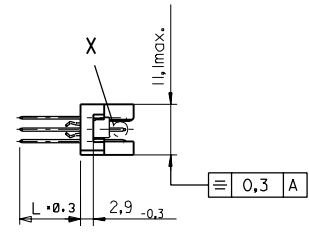
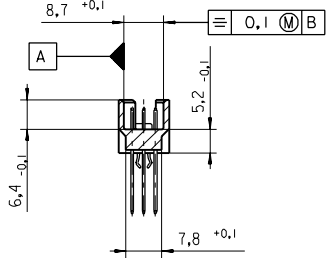
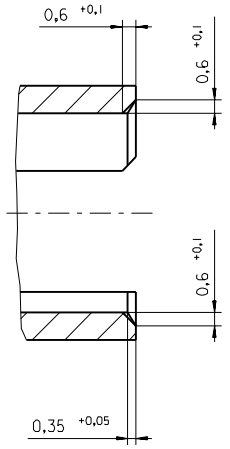
A	G/O	a1-16 c1-16
CONTACT SYMBOL	PERFORMANCE LEVEL	CONTACT POSITION NUMBER

EC NO. I 2004-XXXX DRAWN N.S. 31/03/04 CHK G.L. 31/03/04 APPR G.L. 31/03/04	QUALITY SYMBOLS MAJOR  CRITICAL 	GENERAL TOLERANCES: (UNLESS SPECIFIED) <table border="1"> <tr> <th></th> <th>MM</th> <th>INCH</th> </tr> <tr> <td>4 PLACES</td> <td>±0.1</td> <td>±0.005</td> </tr> <tr> <td>3 PLACES</td> <td>±0.1</td> <td>±0.005</td> </tr> <tr> <td>2 PLACES</td> <td>±0.1</td> <td>±0.005</td> </tr> <tr> <td>1 PLACE</td> <td>±0.1</td> <td>±0.005</td> </tr> </table>		MM	INCH	4 PLACES	±0.1	±0.005	3 PLACES	±0.1	±0.005	2 PLACES	±0.1	±0.005	1 PLACE	±0.1	±0.005	SCALE DRAWN BY & DATE N.S. 31/03/04 CHECKED BY & DATE G.L. 31/03/04 APPROVED BY & DATE G.L. 31/03/04	DESIGN UNITS <input checked="" type="checkbox"/> MM <input type="checkbox"/> INCH THIRD ANGLE PROJECTION <input type="checkbox"/> FIRST ANGLE <input checked="" type="checkbox"/> THIRD ANGLE	DIMENSIONS: <input type="checkbox"/> MM <input type="checkbox"/> INCH <input checked="" type="checkbox"/> BOTH SHT 1 REV 1 REVISE ON CAD ONLY
		MM	INCH																	
	4 PLACES	±0.1	±0.005																	
	3 PLACES	±0.1	±0.005																	
2 PLACES	±0.1	±0.005																		
1 PLACE	±0.1	±0.005																		
TITLE: 48 POS MALE CONNECTOR ACCORDING DIN 41612 STYLE R/2 CONTACTS ARRANGEMENT		CAD FILENAME S850131768.S01		MATERIAL NO. 85013-1768	DRAWING NO. SD-85013-1768															
ANGULAR: ±		THIS DRAWING CONTAINS INFORMATION THAT IS PROPRIETARY TO MOLEX INCORPORATED AND SHOULD NOT BE USED WITHOUT WRITTEN PERMISSION.		SHEET NO. 1 OF 1 SIZE D																
DRAFT WHERE APPLICABLE MUST REMAIN WITHIN DIMENSIONS		THIS DRAWING CONTAINS INFORMATION THAT IS PROPRIETARY TO MOLEX INCORPORATED AND SHOULD NOT BE USED WITHOUT WRITTEN PERMISSION.																		

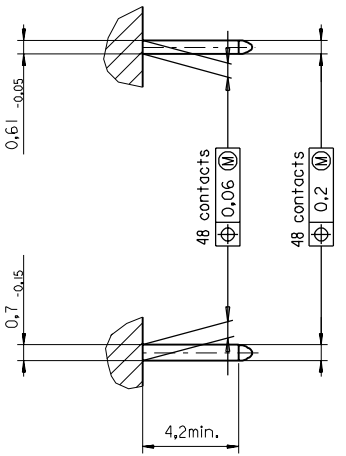
19 18 17 16 15 14 13 12 11 10 9 8 7 6 5 4 3 2 1

PART NO.
DWG. NO.

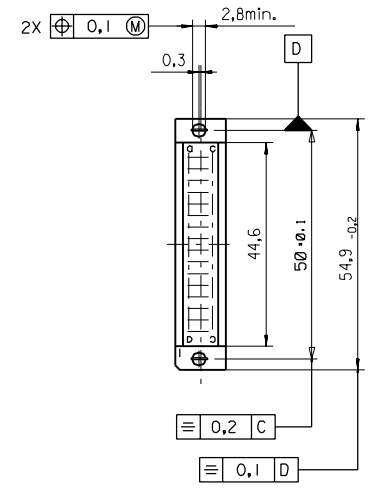
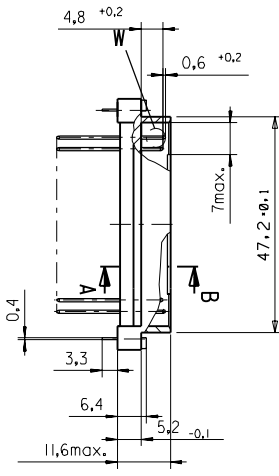
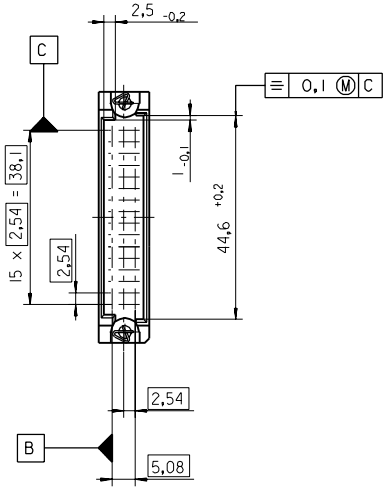
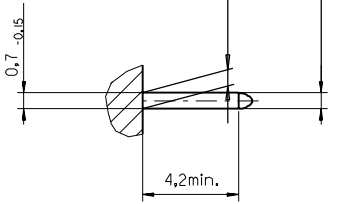
Section A - B
5:1



View X
5:1



View W
5:1



BI	LTR	first release see ECN No. 1887	FIRST ANGLE PROJECTION		REVISE ONLY ON CAD SYSTEM		SH.	REV.
		FOR PREVIOUS REVISIONS SEE MRI LIST	UNLESS OTHERWISE SPECIFIED TOLERANCES: ANGULAR ±2°	DRWG BY Ca	SIGN	CAD/CAM PROJECT NAME 85013000 821	THIS DRAWING CONTAINS INFORMATION THAT IS PROPRIETARY TO MOLEX INC. & SHOULD NOT BE USED WITHOUT WRITTEN PERMISSION	
			INCH	METRIC	CHK'D BY KN	SIGN	TITLE 48 pos. Male connector acc. DIN 41612 style R/2 Dimensions	
			3 PLACE ± . ±	±	APP'D BY	SIGN	SHEET NO. DATE 1 OF 95/06/08	
			2 PLACE ± . ±	±	SCALE		PART NO. DWG NO. SIZE SDA-85013-0002 B	
			1 PLACE ± . ±	±				
			DRAFT WHERE APPLICABLE MUST REMAIN WITHIN DIMENSIONS					
			DESIGN DIMENSION	<input checked="" type="checkbox"/> MM <input type="checkbox"/> IN.				
			EQUIVALENT DIMENSION	<input type="checkbox"/> MM <input type="checkbox"/> IN.				
			IF TWO DIMENSIONS ARE SHOWN THE UPPER IS THE DESIGN DIMENSION, LOWER IS SECONDARY					

VIEW ON MATING SIDE

∩	A	A	A	A	A	A	A	A	A	A	A	A	A	A	A	A	A	A
∩	A	A	A	A	A	A	A	A	A	A	A	A	A	A	A	A	A	A
∩	A	A	A	A	A	A	A	A	A	A	A	A	A	A	A	A	A	A

1 2 3 4 5 6 7 8 9 10 11 12 13 14 15 16 17 18 19 20 21 22 23 24 25 26 27 28 29 30 31 32 33 34 35 36 37 38 39 40 41 42 43 44 45 46 47 48 49 50 51 52 53 54 55 56 57 58 59 60 61 62 63 64 65 66 67 68 69 70 71 72 73 74 75 76 77 78 79 80 81 82 83 84 85 86 87 88 89 90 91 92 93 94 95 96 97 98 99 100

A = 48 STANDARD CONTACTS L=4,5

Marking	Standard
Performance level	G1/0 = Contact area perform. level / Termination tin
Flux proof	no
Fixing clip	no
Dimensions	SDA-85013-0002 sht.1
Technical Data	PS-85013-0001

A	G1/0	a1-16	b1-16	c1-16
Contact symbol	Perform. level	Contact position number		

ECN No. MC1998-2626 first release	REVISIONS		FOR PREVIOUS REVISIONS SEE MRI LIST	
	LTR	REVISIONS		
UNLESS OTHERWISE SPECIFIED TOLERANCES: ANGULAR ± 2° INCH METRIC		DRWG BY	SIGN	CAD/CAM PROJECT NAME
3 PLACE ± .		Ca		sb8501317
2 PLACE ± .		CHK'D BY	SIGN	s61
1 PLACE ± .		KN		
DRAFT WHERE APPLICABLE MUST REMAIN WITHIN DIMENSIONS		APP'D BY	SIGN	
DESIGN DIMENSION <input type="checkbox"/> MM <input type="checkbox"/> IN.		JB		
EQUIVALENT DIMENSION <input type="checkbox"/> MM <input type="checkbox"/> IN.		SCALE		
IF TWO DIMENSIONS ARE SHOWN, THE UPPER IS THE DESIGN DIMENSION, LOWER IS SECONDARY		TITLE		
		48 pos. Male connector acc. DIN 41612 style R/2 contacts arrangement		
		MOLEX EUROPE		SHEET NO. DATE
		85013-1768		1 OF 1 97/10/24
		PART NO.		SIZE
		SDA-85013-1768		A