



# MX23L6423A

## 64M-BIT PAGE MODE MASK ROM

### FEATURES

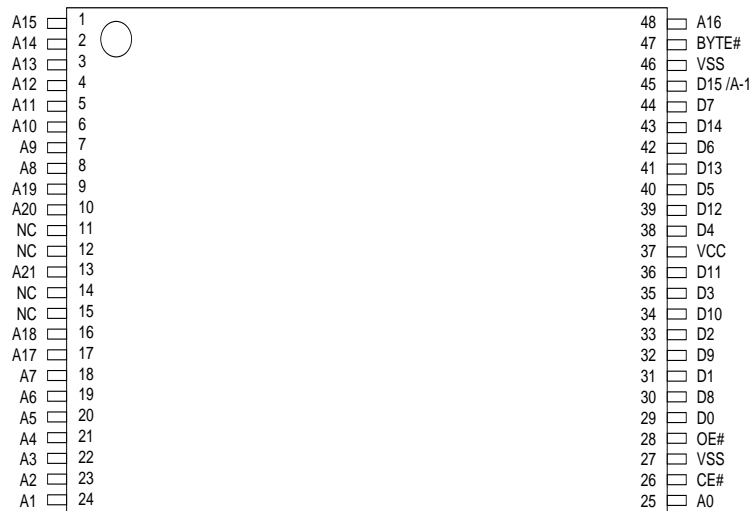
- Bit organization
  - 8M x 8 (byte mode)
  - 4M x 16 (word mode)
- Fast access time
  - Random access:70ns (max.)
  - Page access:25ns (max.)
- Page size
  - 8 words per page
- Current
  - Operating:20mA
  - Standby:15uA
- Supply voltage
  - 2.7V ~ 3.6V
- Package
  - 48 pin TSOP (12mm x 20mm)
- Temperature
  - 0° C ~ 70° C for commercial grade
  - -40° C ~ 85° C for industrial grade
- Process
  - 0.18um

### PIN DESCRIPTION

Symbol	Pin Function
A0~A21	Address Inputs
D0~D14	Data Outputs
D15/A-1	D15 (Word Mode)/ LSB Address (Byte Mode)
CE#	Chip Enable Input
OE#	Output Enable Input
Byte#	Word/ Byte Mode Selection
VCC	Power Supply Pin
VSS	Ground Pin
NC	No Connection

### PIN CONFIGURATION

#### 48 TSOP (Top View)



### ORDER INFORMATION

Part No.	Speed	Package	Grade	Remark
MX23L6423ATC-70	70ns	48 pin TSOP	Commercial	
MX23L6423ATC-90	90ns	48 pin TSOP	Commercial	
MX23L6423ATC-70G	70ns	48 pin TSOP	Commercial	Pb-free
MX23L6423ATC-90G	90ns	48 pin TSOP	Commercial	Pb-free
MX23L6423ATI-70G	70ns	48 pin TSOP	Industrial	Pb-free
MX23L6423ATI-90G	90ns	48 pin TSOP	Industrial	Pb-free



**MODE SELECTION**

CE#	OE#	Byte#	D15/A-1	D0~D7	D8~D15	Mode	Power
H	X	X	X	High Z	High Z	-	Stand-by
L	H	X	X	High Z	High Z	-	Active
L	L	H	Output	D0~D7	D8~D15	Word	Active
L	L	L	Input	D0~D7	High Z	Byte	Active

**ABSOLUTE MAXIMUM RATINGS**

Item	Symbol	Ratings
Voltage on any Pin Relative to VSS	VIN	-0.3V to 3.9V
Ambient Operating Temperature	T <sub>opr</sub>	-40° C to 85° C
Storage Temperature	T <sub>stg</sub>	-65° C to 125° C

**DC CHARACTERISTICS** (Ta = -40° C ~ 85° C, VCC = 2.7V~3.6V)

Item	Symbol	MIN.	MAX.	Conditions
Output High Voltage	VOH	2.4V	-	IOH = -400uA
Output Low Voltage	VOL	-	0.4V	IOL = 1.6mA
Input High Voltage	VIH	0.7xVCC	VCC+0.3	
Input Low Voltage	VIL	-0.3V	0.8V	
Input Leakage Current	ILI	-	5uA	0V, VCC
Output Leakage Current	ILO	-	5uA	0V, VCC
Operating Current	ICC	-	20mA	f=5MHz, CE#=VIL, OE#=VIH all output open
Standby Current (CMOS)	ISTB	-	15uA	CE#>VCC-0.2V
Input Capacitance	CIN	-	10pF	Ta = 25° C, f = 1MHZ
Output Capacitance	COUT	-	10pF	Ta = 25° C, f = 1MHZ

**AC CHARACTERISTICS** (Ta = -40° C ~ 85° C, VCC = 2.7V~3.6V)

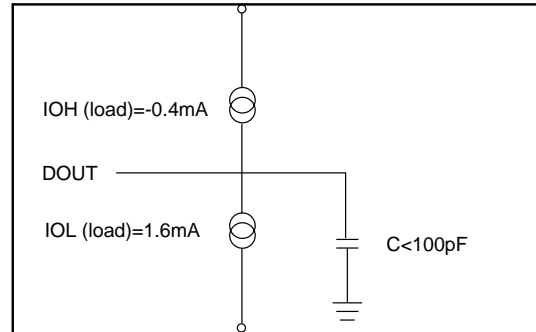
Item	Symbol	<b>23L6423A-70</b>		<b>23L6423A-90</b>	
		MIN.	MAX.	MIN.	MAX.
Read Cycle Time	tRC	70ns	-	90ns	-
Address Access Time	tAA	-	70ns	-	90ns
Chip Enable Access Time	tCE	-	70ns	-	90ns
Page Access Time	tPA	-	25ns	-	25ns
Output Enable Time	tOE	-	25ns	-	25ns
Output Hold After Address	tOH	0ns	-	0ns	-
Output High Z Delay	tHZ	-	20ns	-	20ns

Note:

1. Output high-impedance delay (tHZ) is measured from OE# or CE# going high, and this parameter guaranteed by design over the full voltage and temperature operating range - not tested.

## AC Test Conditions

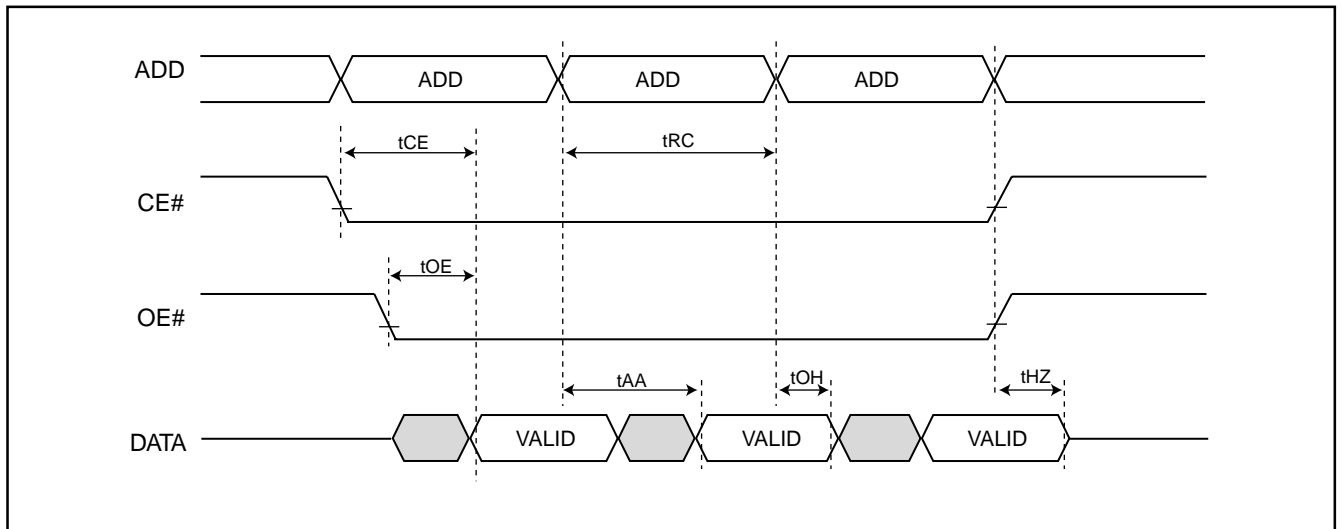
Input Pulse Levels	0V~ 3.0V
Input Rise and Fall Times	5ns
Input Timing Level	1.5V
Output Timing Level	1.5V
Output Load	See Figure



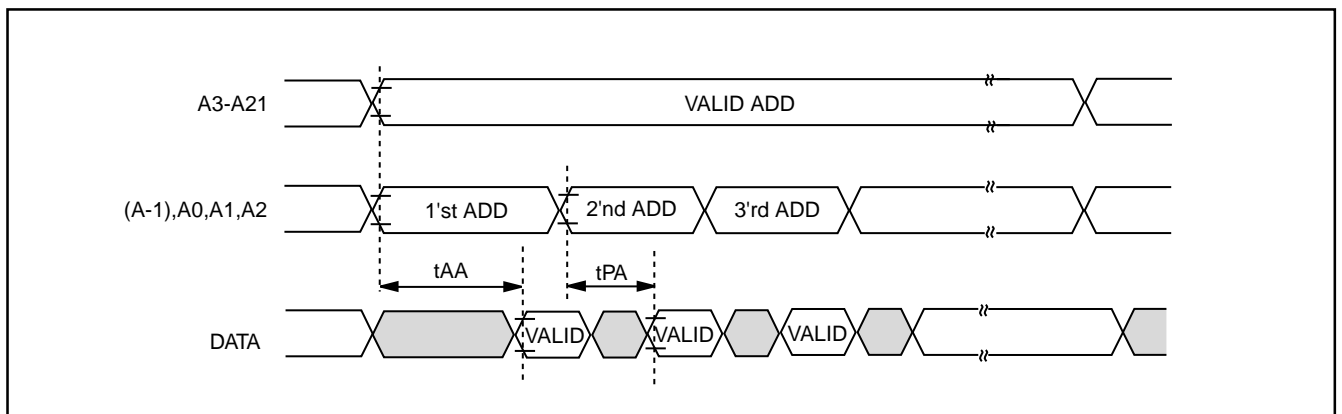
Note: No output loading is present in tester load board.  
 Active loading is used and under software programming control.  
 Output loading capacitance includes load board's and all stray capacitance.

## TIMING DIAGRAM

### RANDOM READ

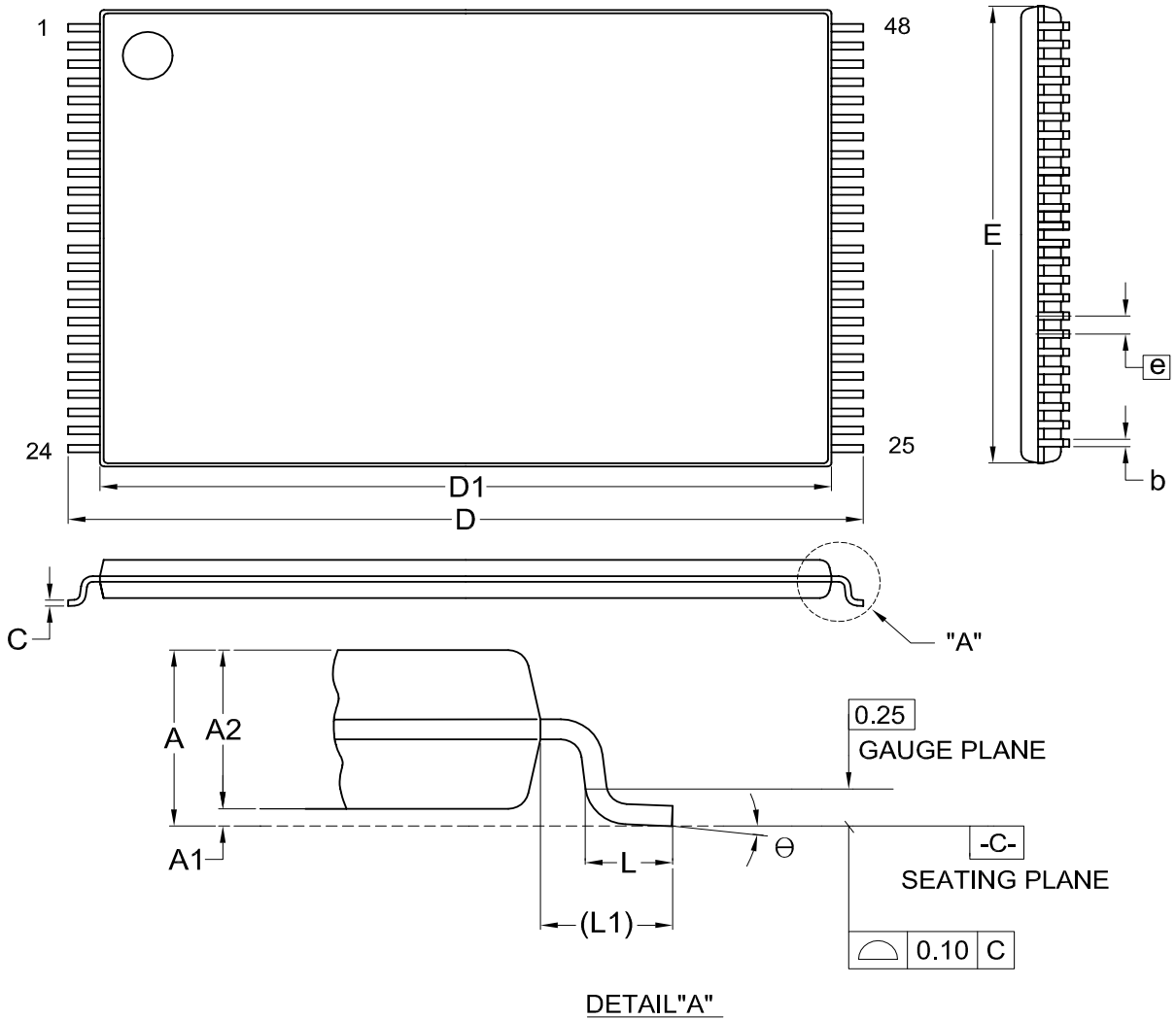


### PAGE READ



## PACKAGE INFORMATION

Title: Package Outline for TSOP(I) 48L (12X20mm)NORMAL FORM



Dimensions (inch dimensions are derived from the original mm dimensions)

SYMBOL		A	A1	A2	b	C	D	D1	E	e	L	L1	θ
UNIT													
mm	Min.	---	0.05	0.95	0.17	0.10	19.80	18.30	11.90		0.50	0.70	0
	Nom.	---	0.10	1.00	0.20	0.13	20.00	18.40	12.00	0.50	0.60	0.80	5
	Max.	1.20	0.15	1.05	0.27	0.21	20.20	18.50	12.10		0.70	0.90	8
Inch	Min.	---	0.002	0.037	0.007	0.004	0.780	0.720	0.469		0.020	0.028	0
	Nom.	---	0.004	0.039	0.008	0.005	0.787	0.724	0.472	0.020	0.024	0.031	5
	Max.	0.047	0.006	0.041	0.011	0.008	0.795	0.728	0.476		0.028	0.035	8

DWG.NO.	REVISION	REFERENCE			ISSUE DATE
		JEDEC	EIAJ		
6110-1607	7	MO-142			12-01-03



**REVISION HISTORY**

<b>Revision #</b>	<b>Description</b>	<b>Page</b>	<b>Date</b>
1.1	1. Added access time : 70ns 2. Modified VIH(min.) from 2.2V to 0.7xVCC	P1,2 P2	JAN/27/2005
1.2	1. Added Pb-free package information 2. Deleted access time:100ns	P1 P1,2	FEB/17/2005
1.3	1. Added process:0.18um	P1	MAR/02/2005
1.4	1. Added Industrial Grade	P1,2	MAR/30/2005
1.5	1. Changed temperature from -25° C~85° C to -40° C~85° C	P1,2	APR/15/2005



**MX23L6423A**

---

---

**MACRONIX INTERNATIONAL CO., LTD.**

**Headquarters:**

TEL:+886-3-578-6688

FAX:+886-3-563-2888

**Europe Office :**

TEL:+32-2-456-8020

FAX:+32-2-456-8021

**Hong Kong Office :**

TEL:+86-755-834-335-79

FAX:+86-755-834-380-78

**Japan Office :**

**Kawasaki Office :**

TEL:+81-44-246-9100

FAX:+81-44-246-9105

**Osaka Office :**

TEL:+81-6-4807-5460

FAX:+81-6-4807-5461

**Singapore Office :**

TEL:+65-6346-5505

FAX:+65-6348-8096

**Taipei Office :**

TEL:+886-2-2509-3300

FAX:+886-2-2509-2200

**MACRONIX AMERICA, INC.**

TEL:+1-408-262-8887

FAX:+1-408-262-8810

*<http://www.macronix.com>*

---