

Model P232
24mm Rotary Potentiometer
Sealed/ Dust Proof
Long Life Element
2 Million Cycle Life
Metal Shaft/ Bushing
RoHS Compliant



MODEL STYLE

Side Adjust , Solder Lugs

P232

ELECTRICAL¹

| | |
|---|---------------------------------|
| Resistance Range, Ohms | 1K-100K |
| Standard Resistance Tolerance | ± 10% |
| Residual Resistance | 3 ohms max. |
| Input Voltage, Maximum | 200 Vdc max. |
| Power rating, Watts | 0.5W- B taper, 0.3W- others |
| Dielectric Strength | 500Vac, 1 minute |
| Insulation Resistance, Minimum | 100M ohms at 1,000Vdc/ 1 minute |
| Peak Noise (Contact Resistance Variation) @ 6 rpm | ±3% max. |
| Linearity | ±3% max. |
| Actual Electrical Travel, Nominal | 280° |

MECHANICAL

| | |
|----------------------------|-----------|
| Total Mechanical Travel | 300°± 5° |
| Static Stop Strength | 120 oz-in |
| Rotational Torque, Maximum | 1.5 oz-in |

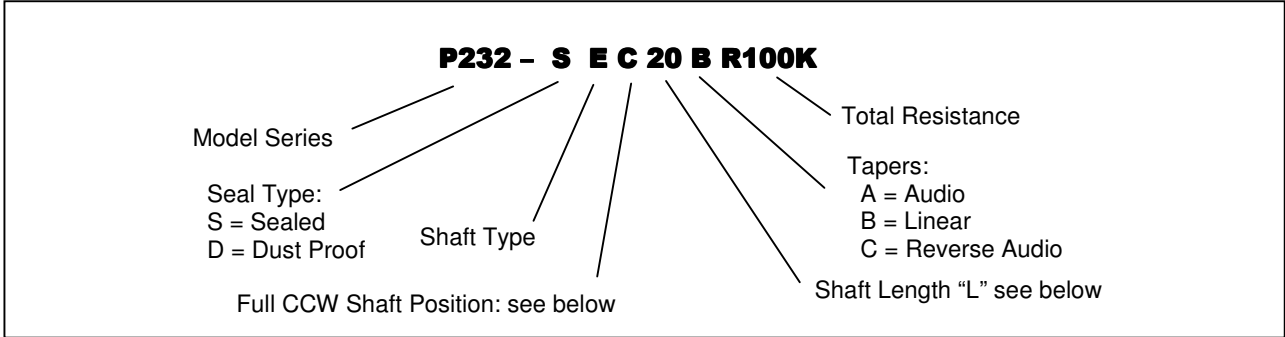
ENVIRONMENTAL

| | |
|-----------------------------|------------------|
| Operating Temperature Range | -10°C to +85°C |
| Rotational Life | 2,000,000 cycles |

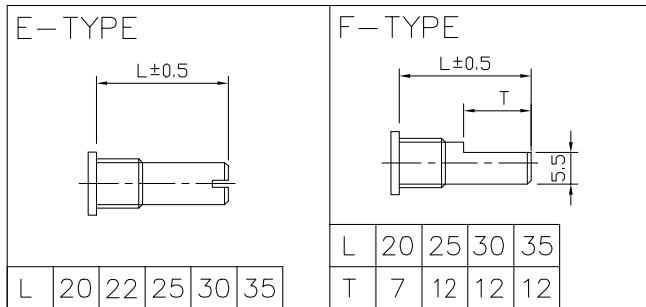
¹ Specifications subject to change without notice.

Model P232

ORDERING INFORMATION²

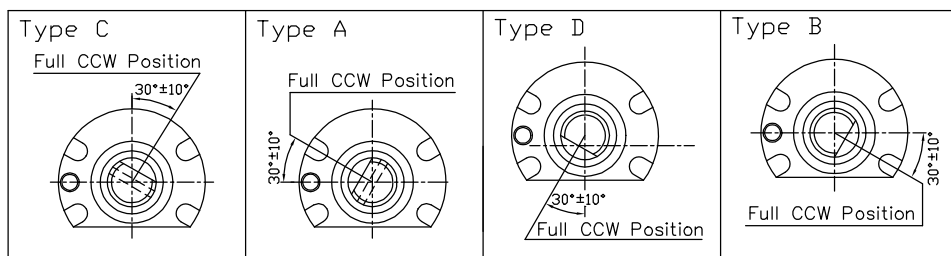


Shaft Types



Shaft Position (F-Type Shaft)

Dashed lines on Type "C" and Type "A" shows position of adjustment slot for E-Type shaft



STANDARD RESISTANCE VALUES, OHMS

| | | | | | | |
|----|----|----|-----|-----|-----|------|
| 1K | 2K | 5K | 10K | 20K | 50K | 100K |
|----|----|----|-----|-----|-----|------|

² Contact our customer service for custom designs and features.

