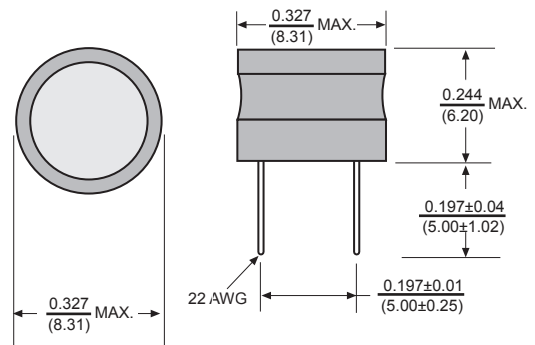
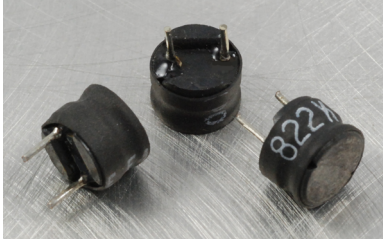




Radial Bobbin Inductors RB20

Dimensions: $\frac{\text{Inches}}{\text{(mm)}}$



| Allied Part Number | Inductance (μh) | Tolerance (%) | Q Min. | Test Freq. (MHz) | SRF Min. (MHz) | DCR Max. (Ω) | Rated Current (mA) |
|--------------------|------------------------------|---------------|--------|------------------|----------------|-----------------------|--------------------|
| RB20-101K-RC | 100 | 10 | 60 | 0.796 | 6.1 | 2.0 | 200 |
| RB20-121K-RC | 120 | 10 | 60 | 0.796 | 5.5 | 3.0 | 200 |
| RB20-151K-RC | 150 | 10 | 60 | 0.796 | 5.0 | 3.0 | 200 |
| RB20-181K-RC | 180 | 10 | 60 | 0.796 | 4.7 | 3.0 | 200 |
| RB20-221K-RC | 220 | 10 | 60 | 0.796 | 4.5 | 3.0 | 150 |
| RB20-271K-RC | 270 | 10 | 60 | 0.796 | 4.1 | 3.0 | 150 |
| RB20-331K-RC | 330 | 10 | 60 | 0.796 | 3.8 | 4.0 | 150 |
| RB20-391K-RC | 390 | 10 | 60 | 0.796 | 3.5 | 4.0 | 100 |
| RB20-471K-RC | 470 | 10 | 60 | 0.796 | 3.2 | 5.0 | 100 |
| RB20-561K-RC | 560 | 10 | 60 | 0.796 | 2.9 | 6.0 | 100 |
| RB20-681K-RC | 680 | 10 | 60 | 0.796 | 2.7 | 6.0 | 100 |
| RB20-821K-RC | 820 | 10 | 60 | 0.796 | 2.3 | 7.0 | 50 |
| RB20-102K-RC | 1000 | 10 | 80 | 0.252 | 2.1 | 9.0 | 50 |
| RB20-122K-RC | 1200 | 10 | 80 | 0.252 | 1.9 | 9.0 | 50 |
| RB20-152K-RC | 1500 | 10 | 80 | 0.252 | 1.8 | 11.0 | 50 |
| RB20-182K-RC | 1800 | 10 | 80 | 0.252 | 1.6 | 12.0 | 50 |
| RB20-222K-RC | 2200 | 10 | 80 | 0.252 | 1.5 | 14.0 | 50 |
| RB20-272K-RC | 2700 | 10 | 80 | 0.252 | 1.4 | 15.0 | 50 |
| RB20-332K-RC | 3300 | 10 | 80 | 0.252 | 0.9 | 25.0 | 40 |
| RB20-392K-RC | 3900 | 10 | 80 | 0.252 | 0.9 | 30.0 | 40 |
| RB20-472K-RC | 4700 | 10 | 80 | 0.252 | 0.8 | 32.0 | 40 |
| RB20-562K-RC | 5600 | 10 | 80 | 0.252 | 0.7 | 36.0 | 30 |
| RB20-682K-RC | 6800 | 10 | 80 | 0.252 | 0.7 | 40.0 | 30 |
| RB20-822K-RC | 8200 | 10 | 80 | 0.252 | 0.6 | 45.0 | 30 |
| RB20-103K-RC | 10000 | 10 | 60 | 0.0796 | 0.6 | 55.0 | 20 |
| RB20-123K-RC | 12000 | 10 | 60 | 0.0796 | 0.5 | 65.0 | 20 |
| RB20-153K-RC | 15000 | 10 | 60 | 0.0796 | 0.5 | 80.0 | 20 |

All specifications subject to change without notice.

Features

- Radial leaded pre-tinned leads.
- Protected with UL polyolefin shrink tubing.
- Non-standard values and tolerances available.

Electrical

Inductance Range: 100 μh to 15000 μh .

Tolerance: 10% over entire inductance range. Tighter tolerances available.

Inductance Drop: 10% typical at the rated current.

Operating Temp: -25°C to + 105°C

Physical

Packaging: 100 pieces per box.

Marking: EIA Inductance Code.