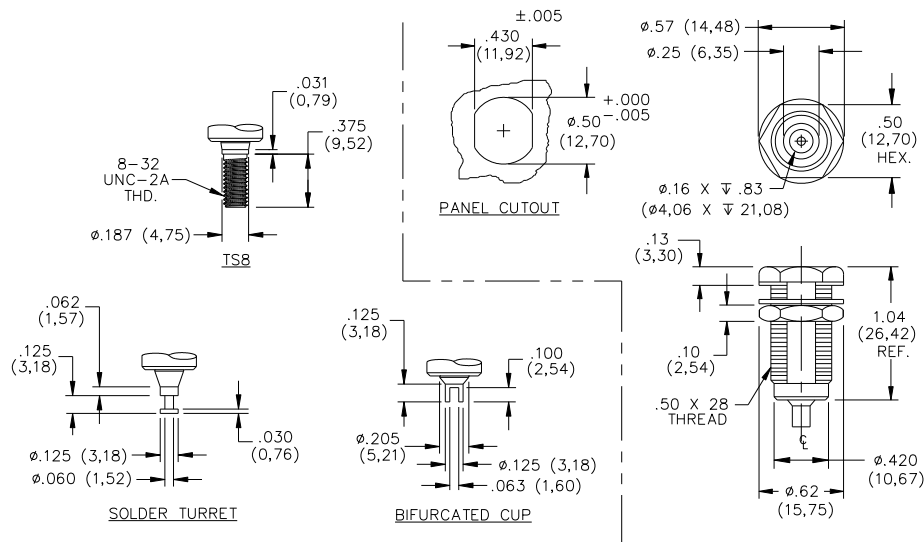


## Model 6387 Banana Jack, Panel Mount, 4mm For Sheathed Banana Plugs



Recommended Maximum Panel Thickness: .57" (15mm)

### FEATURES:

- Banana Jack mates to all popular shrouded and unshrouded DMM plugs
- Meets IEC 1010-2-031 CAT III 1000V

### MATERIALS:

Banana Jack: Brass, see ordering information for plating  
Insulation: Nylon, see ordering information for color  
Nut: Brass, Nickel Plated

### RATINGS:

Operating Voltage: 1000 VRMS Max.  
Current: 15 Amperes Max.

**ORDERING INFORMATION:** Model 6387-T-P-C. Sold in packs of ten.

T = Terminal Type = ST=(Solder Turret), BC=(Bifurcated Cup),

TS8=(Threaded Stud #8-32)

P = Plating Options =T=(Tin), G=(Gold), N=(Nickel)

C = Color Options =See below.

6387-BC-G and 6387-TS8-N available in 0-Black, 2-Red

6387-ST-T available in 0-Black, 2-Red, 5-Green, 6-Blue, 8-Gray, 9-White

All dimensions are in inches. Tolerances (except noted): .xx = ±.02" (.51 mm), .xxx = ±.005" (.127 mm).

All specifications are to the latest revisions. Specifications are subject to change without notice.

Registered trademarks are the property of their respective companies. Made in USA