

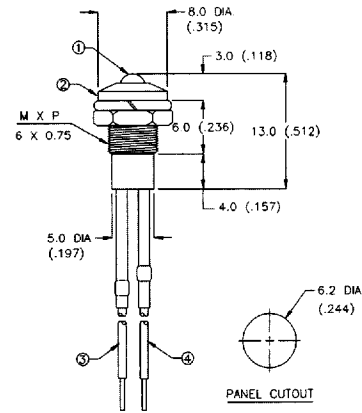
**SSI-LXR3612 SERIES PANEL MOUNT T-3mm LEDs**

- |  |  |   |
|--|--|---|
| <b>FEATURES</b><br>• Easy Panel Installation<br>• Chrome Plated Metal Holder<br>• Choice of Colors, Current<br>• Lead Lengths Optional | <b>APPLICATIONS</b><br>• Panel Indicators<br>• Status Indicators<br>• Function Indicator | <b>MATERIAL SPECIFICATIONS</b><br>• Holder: Chrome Brass<br>• Termination: Pins or Insulated Lead (-150)<br>• Installation: 1/4" Panel Hole |
|--|--|---|

LUMEX PART NBR	EMITTED COLOR		OPERATING CURRENT (mA)	OPERATING TYP Volts (V)	BRIGHTNESS		LED SERIES USED
	RED	PEAK(nm)			TYP (mCD) @	mA	
SSI-LX3612ID/-150	RED	635	10-25	2.1	18	20	SSL-LX3054XX
SSI-LX3612SRD/-150	RED	660	10-25	1.7	65	20	SSL-LX3054XX
SSI-LX3612GD/-150	GREEN	565	10-25	2.1	18	20	SSL-LX3054XX
SSI-LX3612YD/-150	YELLOW	585	10-25	2.1	18	20	SSL-LX3054XX
<b>BI-COLOR OPTION</b>							
SSI-LX3612HGW/-150	RED/GREEN	695/565	10-25	2.1	6/6	20	SSL-LX3054XX
<b>FIXED VOLTAGE OPTION AVAILABLE (2.0/5.0/14.0 VOLTS D.C.)</b>							
SSI-LX3612ID-5V/-150	RED	635	20 max.	5.0	11	5V	SSL-LX3054XX5V
SSI-LX3612GD-5V/-150	GREEN	565	20 max.	5.0	11	5V	SSL-LX3054XX5V
SSI-LX3612YD-5V/150	YELLOW	585	20 max.	5.0	11	5V	SSL-L3054XX5V
<b>BLINKING OPTION</b>							
SSI-LXH3612BID/-150	RED	635	10-20	3-15V	8	9V	SSL-LX3054BID

See pages 8 - 14 for Max. operating limits and operating curves

DIMENSIONS (mm/inch) ±.2mm



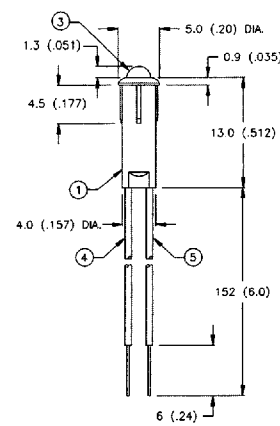
**SSI-LXH312 SERIES PANEL MOUNT T-3mm LEDs**

- |  |   |  |
|--|---|--|
| <b>FEATURES</b><br>• Easy Panel Installation<br>• Small Size<br>• Choice of Colors, Current<br>• Lead Lengths Optional | <b>APPLICATIONS</b><br>• Panel Indicators<br>• Status Indicators<br>• Dot Indicator | <b>MATERIAL SPECIFICATIONS</b><br>• Holder: Black Nylon<br>• Termination: Pins or Insulated Leads (-150)<br>• Installation: .170"-.175" Panel Hole |
|--|---|--|

LUMEX PART NBR	EMITTED COLOR		OPERATING CURRENT (mA)	OPERATING TYP Volts (V)	BRIGHTNESS		LED SERIES USED
	RED	PEAK(nm)			TYP (mCD) @	mA	
SSI-LXH312ID/-150	RED	635	10-25	2.1	10	20	SSL-LX305F4XX
SSI-LXH312SRD/-150	RED	660	10-25	1.7	50	20	SSL-LX305F4XX
SSI-LXH312GD/-150	GREEN	565	10-25	2.1	10	20	SSL-LX305F4XX
SSI-LXH312YD/-150	YELLOW	585	10-25	2.1	10	20	SSL-LX305F4XX
<b>BI-COLOR OPTION</b>							
SSI-LXH312HGW/-150	RED/GREEN	695/565	10-25	2.1	5/5	20	SSL-LX305F4HGW
<b>FIXED VOLTAGE OPTION AVAILABLE (2.0/5.0/14.0 VOLTS D.C.)</b>							
SSI-LXH312ID-5V/-150	RED	635	20 max.	5.0	8	5V	SSL-LX305F4XX5V
SSI-LXH312GD-5V/-150	GREEN	565	20 max.	5.0	8	5V	SSL-LX305F4XX5V
SSI-LXH312YD-5V/150	YELLOW	585	20 max.	5.0	8	5V	SSL-LX305F4XX5V
<b>BLINKING OPTION</b>							
SSI-LXH312BID/-150	RED	635	10-20	3-15V	8	9V	SSL-LX305F4ID

See pages 8 - 14 for Max. operating limits and operating curves

DIMENSIONS (mm/inch) ±.2mm



**SSF-LXH340 SERIES TOWER PCB LEDs (3) LEVELS**

- |  |   |  |
|--|---|--|
| <b>FEATURES</b><br>• Three Level Holder<br>• Many Color Options<br>• Easy Installation | <b>APPLICATIONS</b><br>• Status Indicator<br>• Fault Indicator<br>• Go- NoGo Status | <b>MATERIAL SPECIFICATIONS</b><br>• Holder: 94V-0 Nylon<br>• Terminals: 0.5" Leads |
|--|---|--|

LUMEX PART NBR	EMITTED COLOR		OPERATING CURRENT (mA)	OPERATING TYP Volts (V)	BRIGHTNESS		LED SERIES USED
	RED	PEAK(nm)			TYP (mCD) @	mA	
SSF-LXH340GGGD	GREEN	565	10-25	2.1	15	20	SSL-LX3044XX
SSF-LXH340IIRD	RED	630	10-25	2.1	15	20	SSL-LX3044XX
SSF-LXH340YYD	YELLOW	585	10-25	2.1	15	20	SSL-LX3044XX
SSF-LXH340SRSRSD	RED	660	10-25	1.8	80	20	SSL-LX3044XX
<b>LOW CURRENT OPTIONS</b>							
SSF-LXH340LGGGD	GREEN	565	1-5	1.8	1.5 Min.	2	SSL-LX3044LXX
SSF-LXH340LIIRD	RED	630	1-5	1.8	1.5 Min.	2	SSL-LX3044LXX
SSF-LXH340LYYD	YELLOW	585	1-5	1.8	1.5 Min.	2	SSL-LX3044LXX
<b>OTHER OPTIONS AVAILABLE</b>							
<b>BI-COLORS</b>							
<b>BI-POLAR</b>							
<b>BLINKING LEADS</b>							

See pages 8-14 for Max. operating limits and operating curves

DIMENSIONS (mm/inch) ±.2mm

