

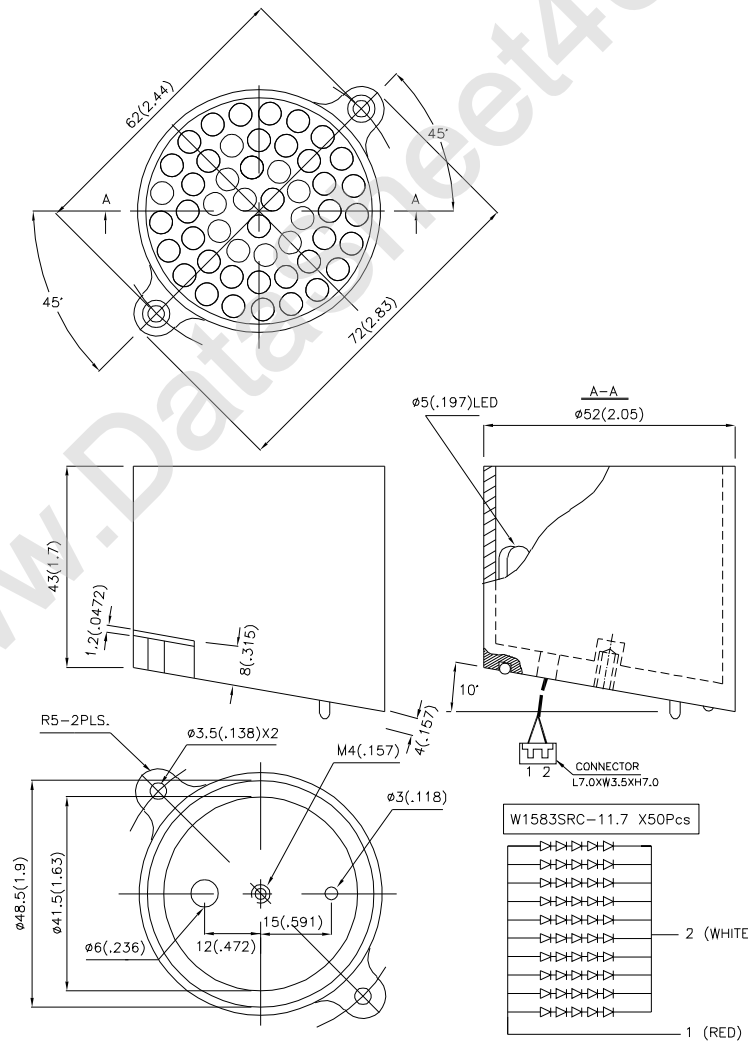
Features

- WATERPROOF CONSTRUCTION.
- SUITABLE FOR OUTDOOR APPLICATIONS, SIGNBOARD OR MESSAGE BOARD, ETC.
- BOTH SINGLE COLOR AND MULTI-COLOR (RED, GREEN & ORANGE) ARE AVAILABLE.
- RoHS COMPLIANT.

Description

The Super Bright Red source color devices are made with Gallium Aluminum Arsenide Red Light Emitting Diode.

Package Dimensions



Notes:

1. All dimensions are in millimeters (inches).
2. Tolerance is ±0.25(0.01") unless otherwise noted.
3. Specifications are subjected to change without notice.

Electrical / Optical Characteristics at T_A=25°C

Symbol	Parameter	Device	Min.	Typ.	Max.	Units	Test Conditions
I _v	Luminous Intensity	BL0307-50-44	12000	21000	-	mcd	I _F =200mA
2θ _{1/2}	Viewing Angle		-	40	-	deg	-
V _F	Forward Voltage		-	9.3	12.5	V	I _F =200mA
λ _{peak}	Peak Wavelength		-	660	-	nm	I _F =200mA
λ _D	Dominant Wavelength		-	640	-	nm	I _F =200mA
Δλ _{1/2}	Spectral Line Half-width		-	20	-	nm	I _F =200mA
I _R	Reverse Current		-	-	100	uA	V _R = 5V

Absolute Maximum Ratings at T_A=25°C

Parameter	Type	Units
Power dissipation	2800	mW
DC Forward Current	300	mA
Reverse Voltage	5	V
Operating Temperature	-40°C To +70°C	
Storage Temperature	-40°C To +85°C	