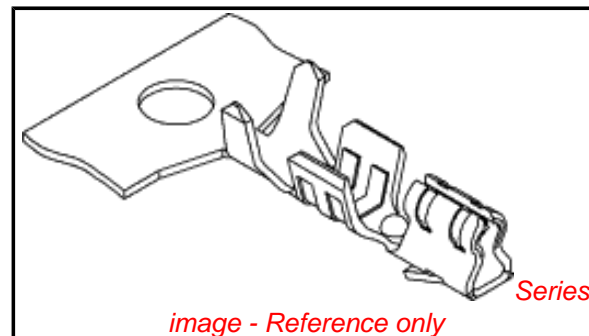


**PLEASE CHECK WWW.MOLEX.COM FOR LATEST PART INFORMATION**

**Part Number:** [0039000160](#)  
**Status:** **Active**  
**Overview:** [spox\\_bmi](#)  
**Description:** 2.50mm (.098") Pitch SPOX™ Wire-to-Board Crimp Terminal, 22-28 AWG, for 5264 Housing, Spring Box, Pre-Tin Plating, Low Profile Version

**Documents:**

[Drawing \(PDF\)](#) [RoHS Certificate of Compliance \(PDF\)](#)  
[Product Specification PS-35301-001 \(PDF\)](#)



**General**

Product Family	Crimp Terminals
Series	<a href="#">5263</a>
Crimp Quality Equipment	Yes
Overview	<a href="#">spox_bmi</a>
Product Name	SPOX™

**Physical**

Gender	Female
Material - Metal	Phosphor Bronze
Material - Plating Mating	Tin
Material - Plating Termination	Tin
Packaging Type	Reel
Termination Interface: Style	Crimp or Compression
Wire Insulation Diameter	1.90mm (.075") max.
Wire Size AWG	22, 24, 26, 28
Wire Size mm²	N/A

**Material Info**

Old Part Number	5263PBT9
-----------------	----------

**Reference - Drawing Numbers**

Product Specification	PS-35301-001
Sales Drawing	SD-5263PBT9

<b>EU RoHS</b> <b>ELV and RoHS</b> <b>Compliant</b> <b>REACH SVHC</b> <b>Contains SVHC: No</b> <b>Halogen-Free</b> <b>Status</b> <b>Halogen-Free</b>	<b>China RoHS</b> 
---	--

**Need more information on product environmental compliance?**

Email [productcompliance@molex.com](mailto:productcompliance@molex.com)  
 For a multiple part number RoHS Certificate of Compliance, [click here](#)

Please visit the [Contact Us](#) section for any non-product compliance questions.

**Search Parts in this Series**

[5263Series](#)

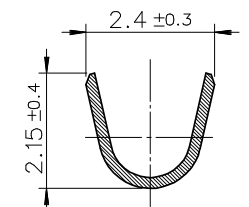
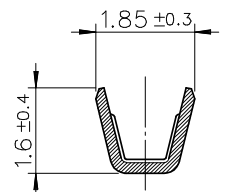
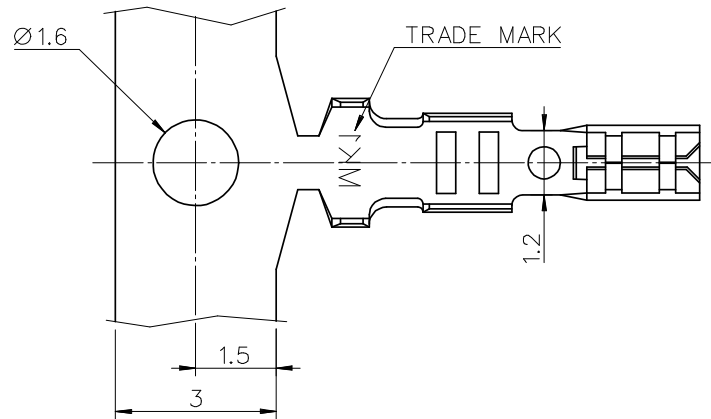
**Use With**

[5264](#)

**Application Tooling | FAQ**

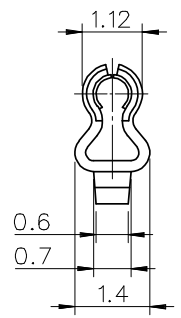
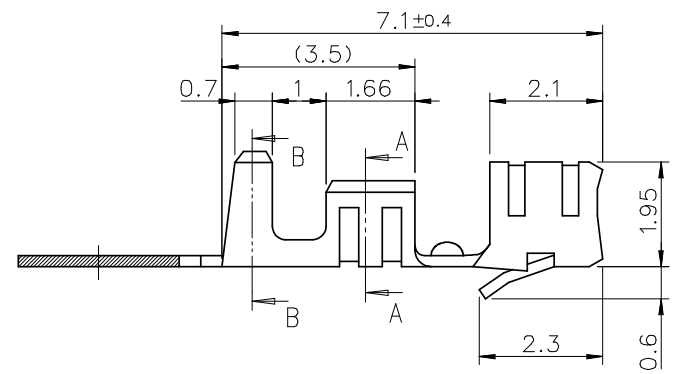
*Tooling specifications and manuals are found by selecting the products below. Crimp Height Specifications are then contained in the Application Tooling Specification document.*

<b>Global</b>	
<b>Description</b>	<b>Product #</b>
Manual Extraction Tool	<a href="#">0638131400</a>



SECTION A-A

SECTION B-B



NOTE

1. APPLIED HOUSING : 5264-N
2. MATERIAL : PHOSPHOR BRONZE(PRE TIN)
3. APPLIED WIRE : AWG #22~#28  
INS. RANGE: Ø1.15~1.9

ENG. NO.	Material No.	FORM
5263PBT9	39-00-0160	CHAIN

REVISED EC NO: KOR2008-0178 DRWN: HJEONG CHKD: APPR: YUNS IKKIM 2008/04/24 2008/04/24 2008/04/25	DESCRIPTION D1	QUALITY SYMBOLS	GENERAL TOLERANCES (UNLESS SPECIFIED)	DIMENSION STYLE		SCALE	DESIGN UNITS	THIRD ANGLE PROJECTION		
		▼=0	mm INCH	MM ONLY	10:1	METRIC	BOARD IN CONNECTOR CRIMP TERMINAL			
		∇=0	4 PLACES ± --- ± ---	DRAWN BY DATE	1988/09/13	SJM00N				
			3 PLACES ± --- ± ---	CHECKED BY DATE	1988/09/13	YS00KIM	MOLEX INCORPORATED			
			2 PLACES ± 0.2 ± ---	APPROVED BY DATE	1988/09/13	YS00KIM				
	1 PLACE ± 0.25 ± ---	ANGULAR ± 1°	MATERIAL NO.		DOCUMENT NO.		SHEET NO.			
DRAFT WHERE APPLICABLE MUST REMAIN WITHIN DIMENSIONS			SEE TABLE		SD-5263PBT9		1 OF 1			
THIS DRAWING CONTAINS INFORMATION THAT IS PROPRIETARY TO MOLEX INCORPORATED AND SHOULD NOT BE USED WITHOUT WRITTEN PERMISSION										