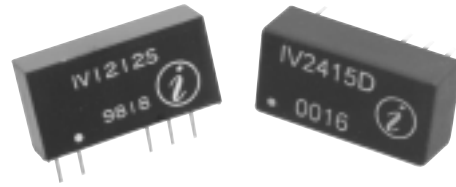


International Power Sources, Inc.

260 Hopping Brook Road
 Holliston, Massachusetts 01746
 Tel. (508) 429-4440 Fax (800) 226-2100
<http://www.intlpower.com>

DC/DC Converters 3000 VDC Isolation



**IV SERIES
 1 WATT**

SHOWN
 ACTUAL
 SIZE

FEATURES

- 0.18 in² board space
- 80% Efficiency
- 15 Watts per in³
- 5, 12, 24 and 48 VDC Inputs
- 3000 VDC Isolation
- Industry Standard Pinouts

MODELS CHART

OUTPUT VOLTAGE(S)	OUTPUT CURRENT(S)	PART NUMBERS			
		5VDC INPUT	12VDC INPUT	24VDC INPUT	48VDC INPUT
3.3VDC	300mA	IV0503XA	IV1203XA	IV2403XA	IV4803XA
5VDC	200mA	IV0505XA	IV1205XA	IV2405XA	IV4805XA
9VDC	112mA	IV0509XA	IV1209XA	IV2409XA	IV4809XA
12VDC	84mA	IV0512XA	IV1212XA	IV2412XA	IV4812XA
15VDC	66mA	IV0515XA	IV1215XA	IV2415XA	IV4815XA
±3.3VDC	±150mA	IV0503X	IV1203X	IV2403X	IV4803X
±5VDC	±100mA	IV0505X	IV1205X	IV2405X	IV4805X
±9VDC	±56mA	IV0509X	IV1209X	IV2409X	IV4809X
±12VDC	±42mA	IV0512X	IV1212X	IV2412X	IV4812X
±15VDC	±33mA	IV0515X	IV1215X	IV2415X	IV4815X

Replace "X" with "S" for Single-In-Line Package, suffix "D" for Dual-In-Line Package.

ELECTRICAL SPECIFICATIONS

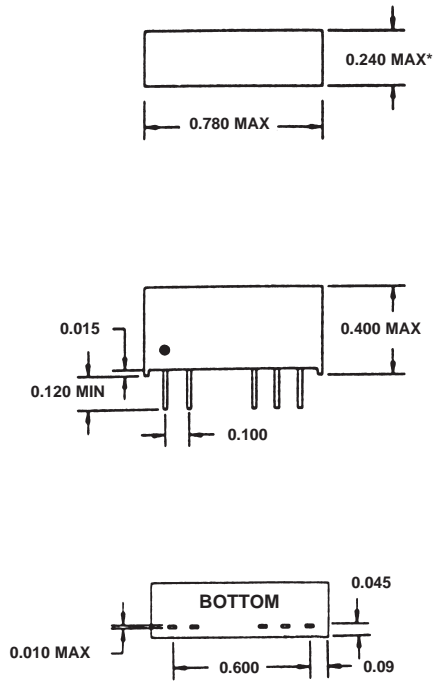
All specifications typical at nominal line, full load and 25°C

Input voltage range	±10%
Input reflected noise (20MHz BW)	100mV p-p max.
Output voltage accuracy	±5%
Line regulation	1.2%/1% of Vin
Load regulation (10% to 100% Load)	±10%
Output ripple and noise (20 MHz BW)	100mV p-p max.
Efficiency at full load, 9V, 12V and 15V outputs	80% typical
Efficiency at full load, 3.3V and 5V outputs	70% typical
Short circuit protection	1 second max.
Input output isolation	3000VDC
Temperature coefficient	0.03% per °C max.
Operating temperature range	-40°C to 85°C
Storage temperature range	-55°C to 125°C

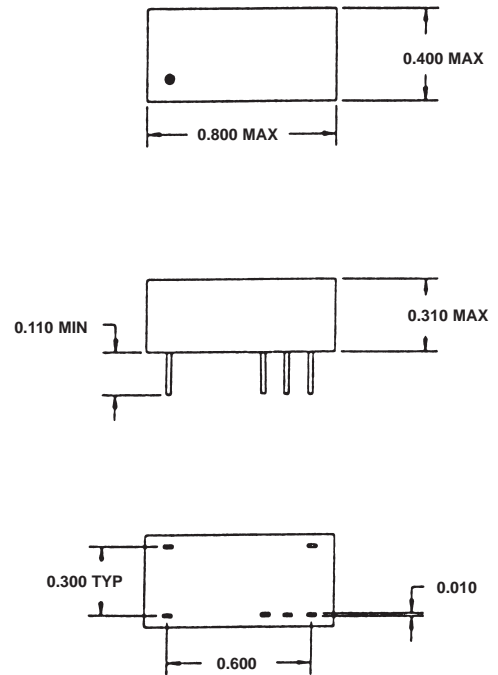
Specifications subject to change. Unit requires 10mm of air space.

MECHANICAL SPECIFICATIONS

SINGLE-IN-LINE PACKAGE



DUAL-IN-LINE PACKAGE



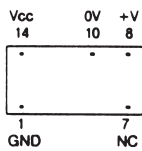
* 0.280 max for 48VDC input models

Pins .01 x .02 inches

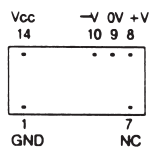
PIN CONNECTIONS

DERATING CURVE

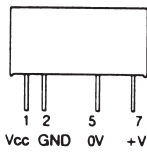
SINGLE OUTPUT MODELS



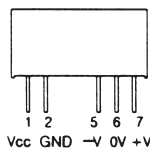
DUAL OUTPUT MODELS



DUAL-IN-LINE PACKAGE (TOP VIEW)



SINGLE-IN-LINE PACKAGE



Temperature derating graph

