



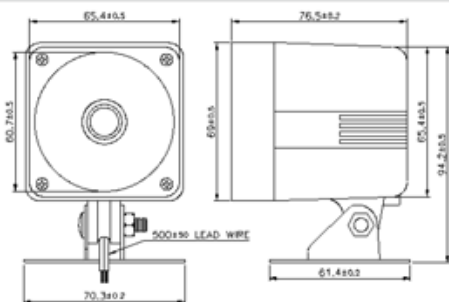
DB LECTRO L I C
COMPOSANTS ÉLECTRONIQUES
ELECTRONIC COMPONENTS



Wire Type

PH-100Q

Dimensions and material



UNIT:mm



Electrical Characteristics

Model Number	PH-100Q	Unit
Resonant Frequency	0.5~7.0	KHz
Impedance	8 ± 2	Ω
Input Power (RMS)	10	W
Operating Temperature	-20 ~ +70	°C
Storage Temperature	-30 ~ +80	°C

Frequency Response

