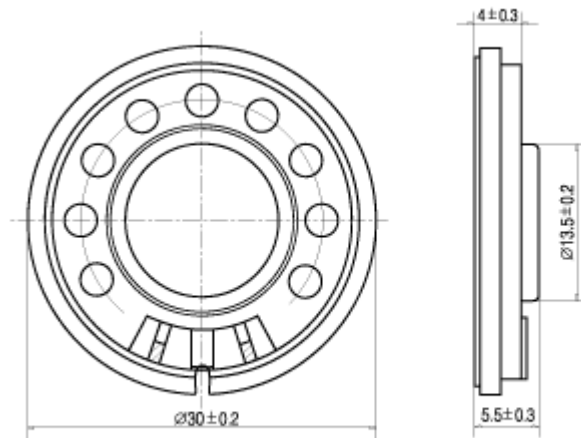




Type	BMS-3012
Rated Impedance( $\Omega$ )	32 $\pm$ 15%
Rated(Max.) Power(W)	0.1(0.2)
Resonant Frequency(Hz)	550 $\pm$ 20%
Rated Freq.Range(Hz)	f <sub>0</sub> ~5000
Sound Pressure Level(dB)	80 $\pm$ 3
Magnet(g)	0.6
Operating Temperature( $^{\circ}$ C)	-10~+40



Unit:mm

