



# PJSD05ULFN2

**SINGLE LINE LOW CAPACITANCE TVSDIODE FOR ESD PROTECTION IN PORTABLE ELECTRONICS**

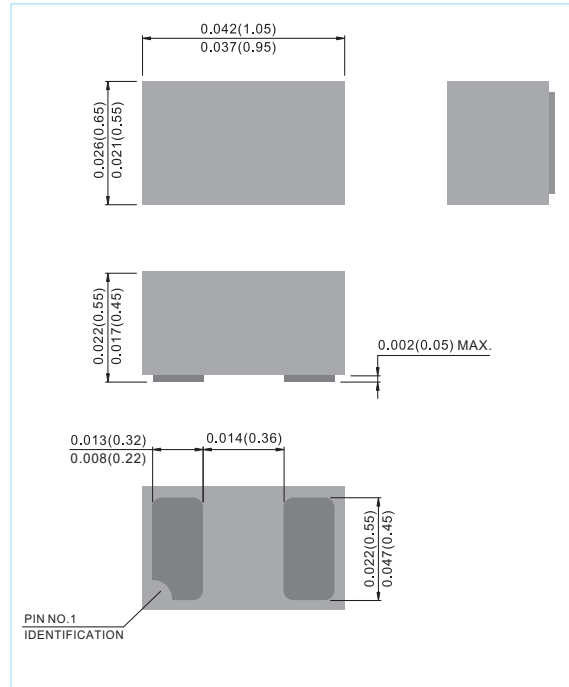
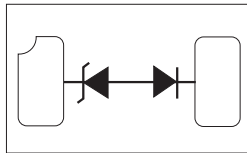
**VOLTAGE** 5 Volts    **POWER** 200 Watts    **DFN 2L**    Unit : inch(mm)

### FEATURES

- 200 Watts peak pulses power(  $t_p=8/20 \mu s$ )
- Small package for use in portable electronics
- Suitable replacement for MLV'S in ESD protection applications
- Low clamping voltage and leakage current
- In compliance with EU RoHS 2002/95/EC directives
- Case: DFN 2L plastic
- Terminals : Solderable per MIL-STD-750,Method 2026
- Marking : BU

### APPLICATIONS

- Instrumentation
- Portable electronics
- Mobile phone and accessories



### MAXIMUM RATINGS AND ELECTRICAL CHARACTERISTICS

#### ABSOLUTE MAXIMUM RATING

Rating	Symbol	Value	Units
Peak Pulse Power ( $t_p=8/20 \mu s$ )	$P_{PK}$	200	W
Max Peak Pulse Current 8/20 $\mu s$	$I_{PPM}$	18	A
ESD Voltage	$V_{ESD}$	25	KV
Operating Junction and Storage Temperature Range	$T_J, T_{STG}$	-55 to +150	$^{\circ}C$

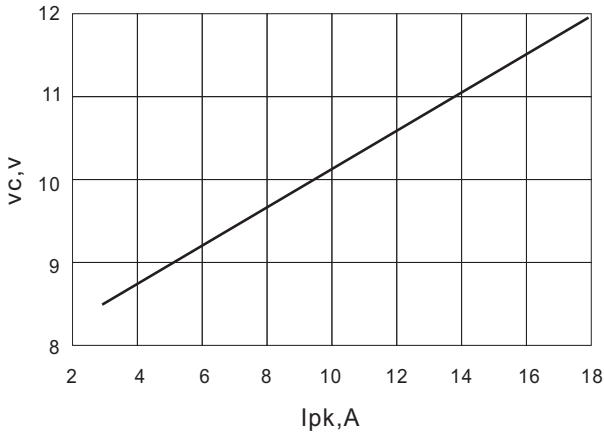
#### ELECTRICAL CHARACTERISTICS

Parameter	Symbol	Conditions	Min.	Typ.	Max.	Units
Reverse Stand-Off Voltage	$V_{RWM}$	-	-	-	5	V
Reverse Breakdown Voltage	$V_{BR}$	$I_{BR}=1mA$	6.0	7.4	-	V
Reverse Leakage Current	$I_R$	$V_R=5V$	-	-	1	$\mu A$
Clamping Voltage(8/20 $\mu s$ )	$V_C$	$I_{PP}=5A$	-	9.0	11	V
Clamping Voltage(8/20 $\mu s$ )	$V_C$	$I_{PP}=15A$	-	11.5	14	V
Off State Junction Capacitance	$C_J$	0Vdc Bias=f=1MHz	-	0.28	0.35	pF

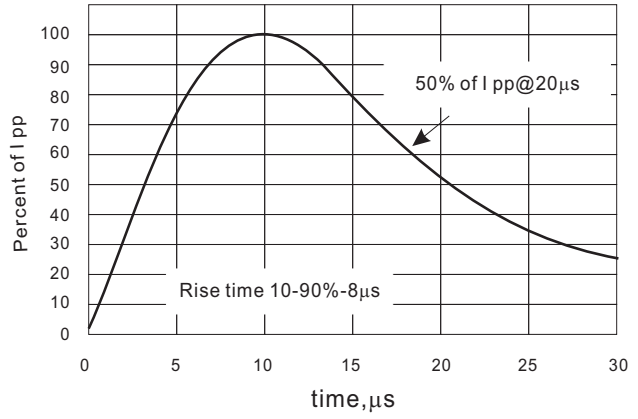
**PANJIT RESERVES THE RIGHT TO IMPROVE PRODUCT DESIGN,FUNCTIONS AND RELIABILITY WITHOUT NOTICE**



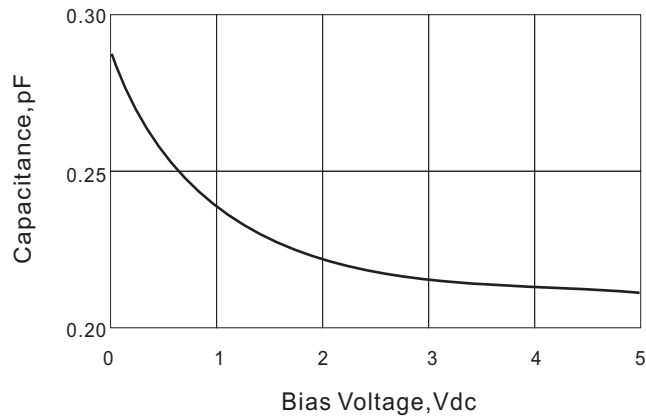
# PJSD05ULFN2



Clamping Voltage vs I<sub>pp</sub> 8/20µs Surge



Pulse Waveform

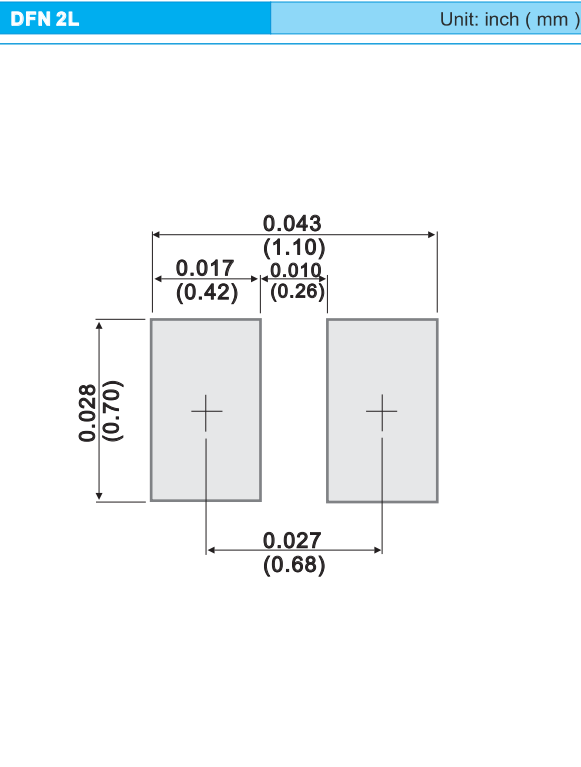


Capacitance vs. Biasing Voltage@1MHz



# PJSD05ULFN2

## MOUNTING PAD LAYOUT



## ORDER INFORMATION

- Packing information  
T/R - 8K per 7" plastic Reel

### Copyright PanJit International, Inc 2009

The information presented in this document is believed to be accurate and reliable. The specifications and information herein are subject to change without notice. Pan Jit makes no warranty, representation or guarantee regarding the suitability of its products for any particular purpose. Pan Jit products are not authorized for use in life support devices or systems. Pan Jit does not convey any license under its patent rights or rights of others.