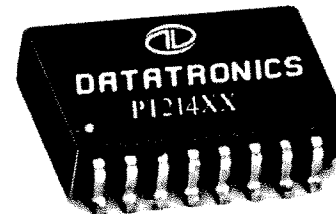


AUI Isolation Modules in PCMCIA package

Features

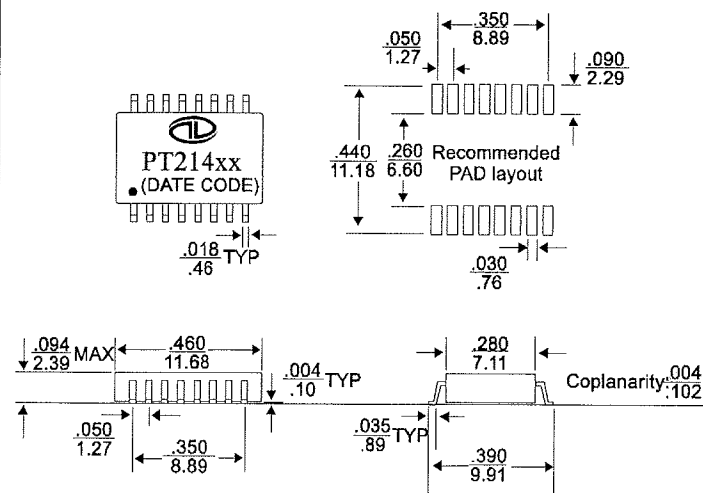
- Standard low profile PCMCIA package
- Ideal for Type I or Type II applications
- Transfer molded SMD package
- Pick and place compatible
- 2000Vrms isolation
- Designed to withstand IR reflow soldering



Electrical Specifications @25°C

Part Number	Turns Ratio (±5%)	OCL (μH Min)	ET Constant (V-μs Min)	Rise Time (ns Max)	Cww Pri:Sec (pF Max)	Leakage Inductance (μH Max)	DCR (Ω Max)	Hipot (Vrms)
PT21441	1 : 1	35	0.8	3.0	7	0.20	.12	2000
PT21442	1 : 1	50	0.9	3.0	8	0.20	.15	2000
PT21443	1 : 1	75	1.0	3.0	10	0.20	.18	2000
PT21444	1 : 1	100	1.2	3.5	10	0.20	.20	2000
PT21445	1 : 1	150	1.4	3.5	12	0.20	.22	2000
PT21446	1 : 1	200	1.6	3.5	14	0.20	.25	2000
PT21447	1 : 1	250	1.8	3.7	16	0.20	.30	2000
PT21448	1 : 1	350	2.0	4.0	18	0.20	.35	2000

Mechanical Outline



- Note:
1. All dimensions are specified in inches
mm
 2. Unless otherwise specified, tolerances are ± .010
± .254
 3. Dimensions are exclusive of solder

Schematic

