



Integrated Miniaturized Antenna for 838~898 MHz ISM Band Wireless RF Applications

TCA14A is an advanced, surface-mount(SMT) integrated antenna for use in various wireless products, ideal for high-sensitivity and low profile design.



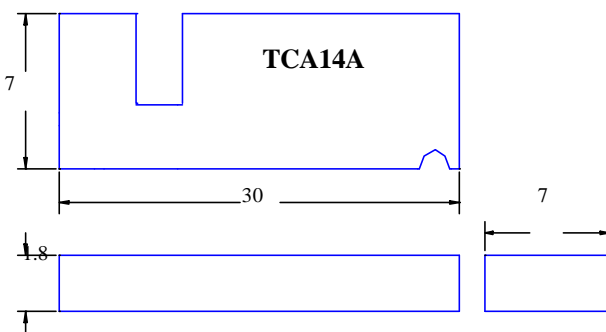
Features:

- Miniaturized size
- Omni-direction
- Low interference design
- Wide bandwidth
- Light weight
- High gain

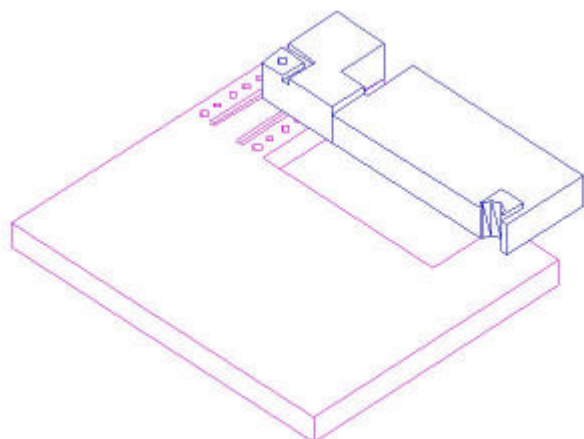
Specification

- Part No. TCA14A
- Center Frequency 868MHz
- Band width 60MHz
- Typical Gain 1.0dBi
- Operating Temp. -20°C~70°C
- Storage Temp. -20°C~90°C
- Weight 0.8g

Outline of TCA14A(unit:mm)

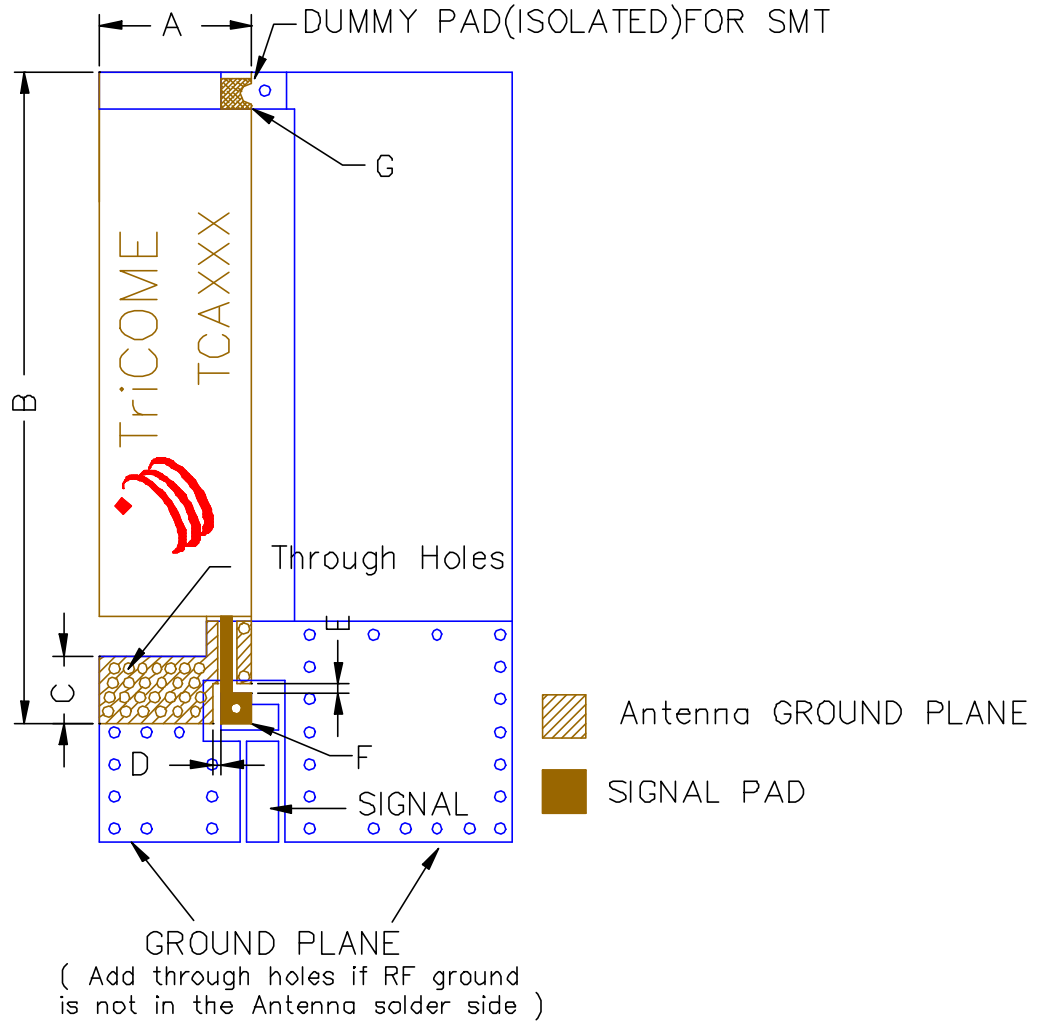


Typical SMT Installation





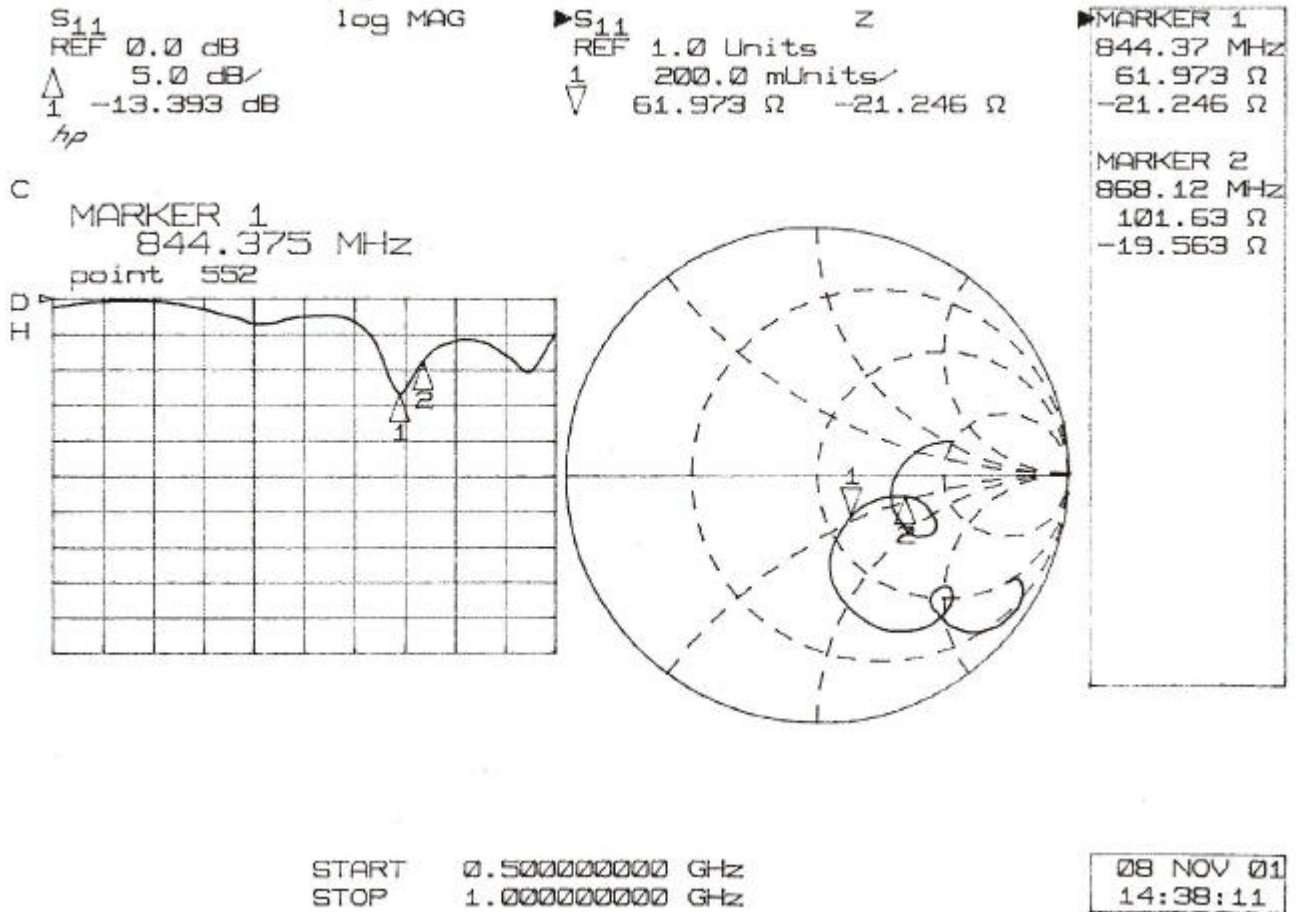
Lavout Guide (unit:mm)



A	7mm
B	30mm
C	3.1mm
D	0.4mm
E	0.4mm
F	1.4x1.4mm
G	1.4x1.4mm



Input Characteristics



This specification , prepared by TriCOME , is believed to be accurate and reliable . But TriCOME reserves the right to make any change or improvement without further notice.