

XFER

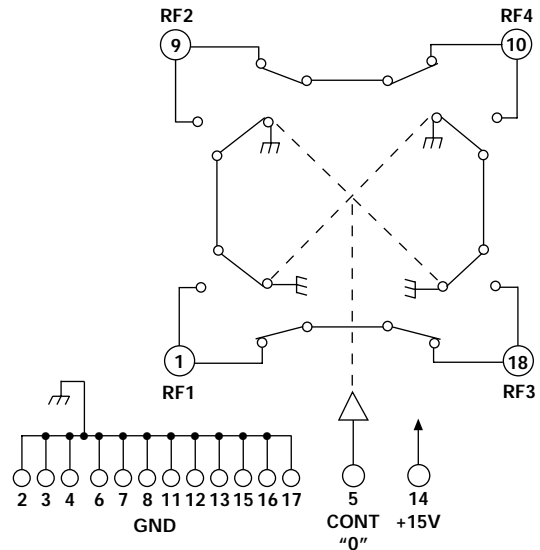
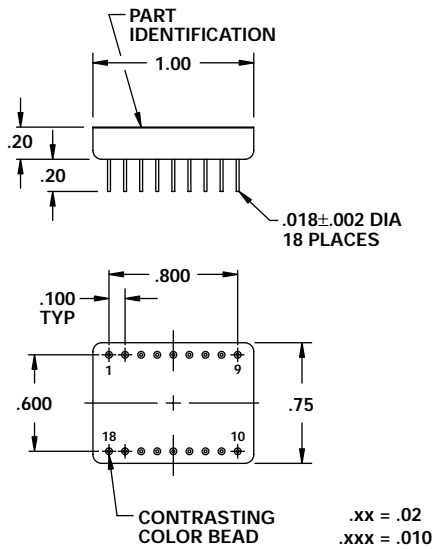
FEATURES

- 70 - 1000 MHz
- CMOS Driver
- 60 dB Isolation
- 1.3 dB Insertion Loss
- Low Transients
- 18 Pin DIP

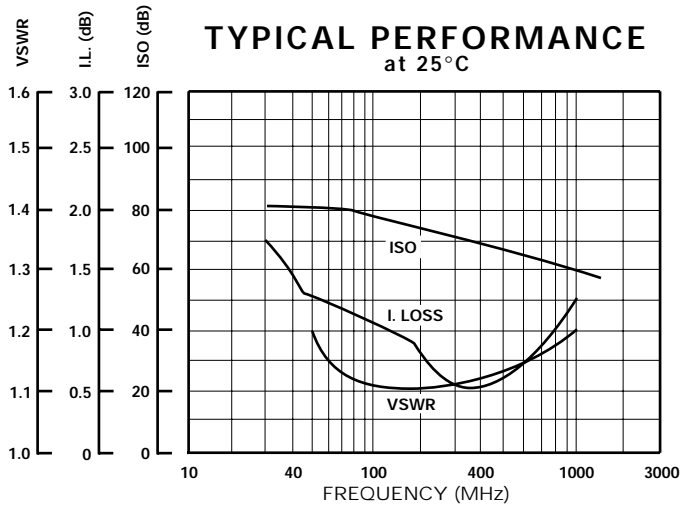


MODEL NO. DS0319

PIN Diode Transfer Switch



LOGIC TABLE	
"0"	RF1 TO RF3
	RF2 TO RF4
"1"	RF1 TO RF2
	RF3 TO RF4



GUARANTEED PERFORMANCE

Parameter	Min	Typ	Max	Units	Conditions
Operating Frequency	70		1000	MHz	
DC Current		15		mA	At +15 VDC Supply
Control Type		CMOS			1 Line, See Logic Table
Control Current			±3	µA	V _{IH} = +V
			±3	µA	V _{IL} = Ground
Insertion Loss		1.2	1.5	dB	
Amplitude Flatness			±0.5	dB	
Isolation	40	60		dB	
VSWR	Thru	1.2/1	1.3/1		
Impedance		50		OHMS	
Switching Speed			10	µSEC	50% Control to 90% / 10% RF
Transition (Rise/Fall) Time		0.5		µSEC	90% / 10% or 10% / 90% RF
Switching Transients (Video)			100	mV	Peak Value
RF Power			+10	dBm	Operate
			+30	dBm	No Damage
Operating Temperature	-55	+25	+105	°C	TA