

**PLEASE CHECK WWW.MOLEX.COM FOR LATEST PART INFORMATION**

**Part Number:** [0456260008](#)  
**Status:** **Active**  
**Overview:** [spox\\_bmi](#)  
**Description:** 2.50mm (.098") Pitch SPOX™ BMI Plug Housing, Dual Row, Panel Mount, 8 Circuits

**Documents:**

[3D Model](#) [RoHS Certificate of Compliance \(PDF\)](#)  
[Drawing \(PDF\)](#)

**General**

Product Family Crimp Housings  
 Series [45626](#)  
 Overview [spox\\_bmi](#)  
 Product Name SPOX BMI™

**Physical**

Circuits (maximum) 8  
 Color - Resin Black  
 Gender Male  
 Glow-Wire Compliant No  
 Lock to Mating Part None  
 Material - Resin Polyester  
 Number of Rows 2  
 Packaging Type Bag  
 Panel Mount Yes  
 Pitch - Mating Interface (in) 0.098 In  
 Pitch - Mating Interface (mm) 2.50 mm  
 Stackable No  
 Temperature Range - Operating -40°C to +105°C

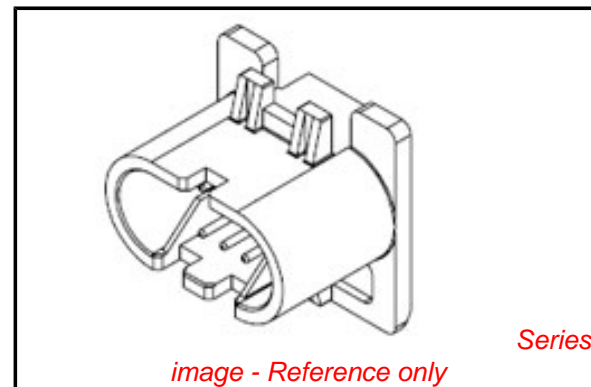
**Electrical**

Current - Maximum per Contact 3A

**Material Info**

**Reference - Drawing Numbers**

Sales Drawing SD-45626-008



**EU RoHS**

**ELV and RoHS  
 Compliant**  
**REACH SVHC  
 Contains SVHC: No  
 Halogen-Free  
 Status**

**China RoHS**



**Need more information on product  
 environmental compliance?**

Email [productcompliance@molex.com](mailto:productcompliance@molex.com)  
 For a multiple part number RoHS Certificate of  
 Compliance, [click here](#)

Please visit the [Contact Us](#) section for any  
 non-product compliance questions.

**Search Parts in this Series**

[45626Series](#)

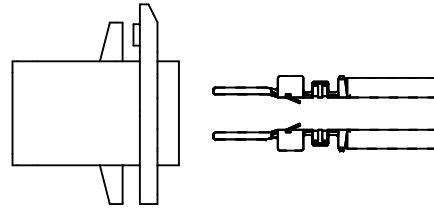
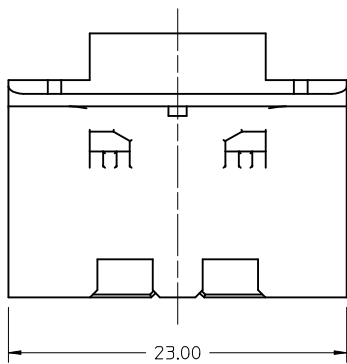
**Mates With**

[45579 SPOX™ BMI Receptacle Housing](#)

**Use With**

[456270002 SPOX™ Male Crimp Terminal](#)

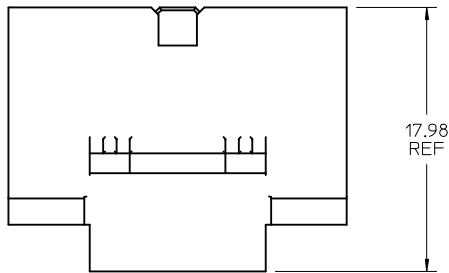
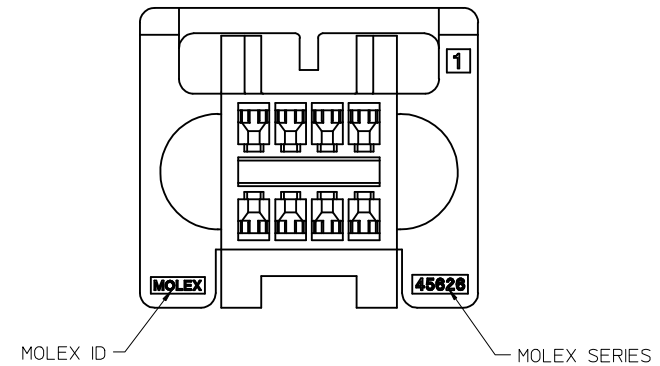
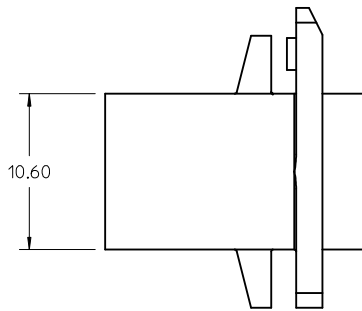
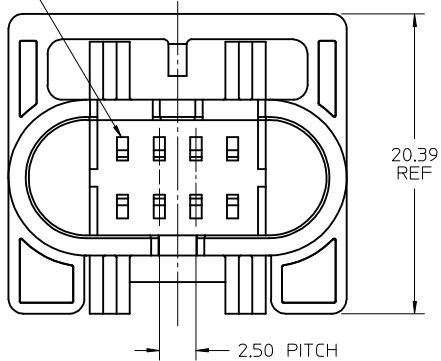
TERMINALS TO BE ORIENTED AND LOADED INTO THE HOUSING AS SHOWN BELOW



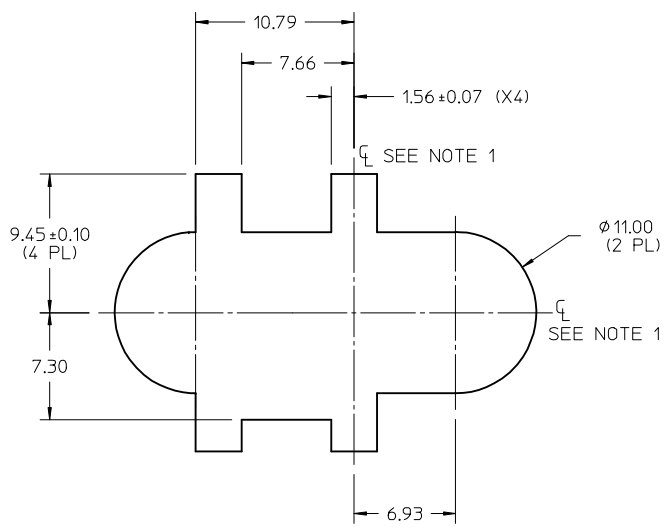
NOTES:

1. MATERIAL: POLYESTER, UL94V-0, COLOR: BLACK.
2. PRODUCT CONFORMS TO PRODUCT SPECIFICATION PS-45779-001.
3. USES MALE CRIMP TERMINALS SERIES 45627.
4. PART MATES WITH MOLEX RECEPTACLE SERIES 45579.
5. PACKAGING: BULK.
6. SEE PAGE 2 OF 2 FOR PANEL CUTOUT DIMENSIONS AND THE ALLOWED PANEL TO PANEL MISALIGNMENT.
7. USE MOLEX EXTRACTION TOOL 63813-1400 TO REMOVE TERMINALS WITHOUT DAMAGING THE PLUG CORE. RELOAD CORE WITH NEW TERMINAL ONLY. REMOVED TERMINAL AFTER EXTRACTION NOT USABLE.

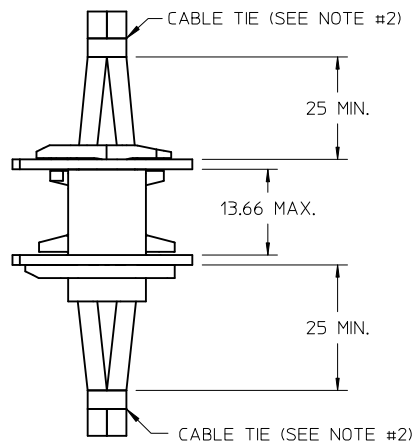
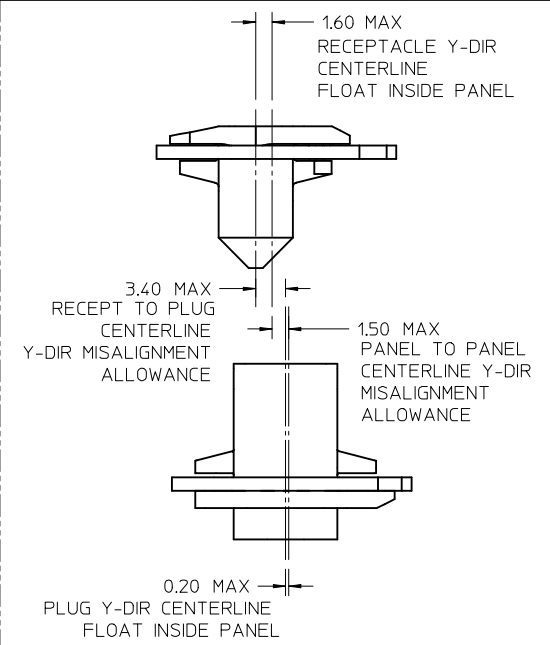
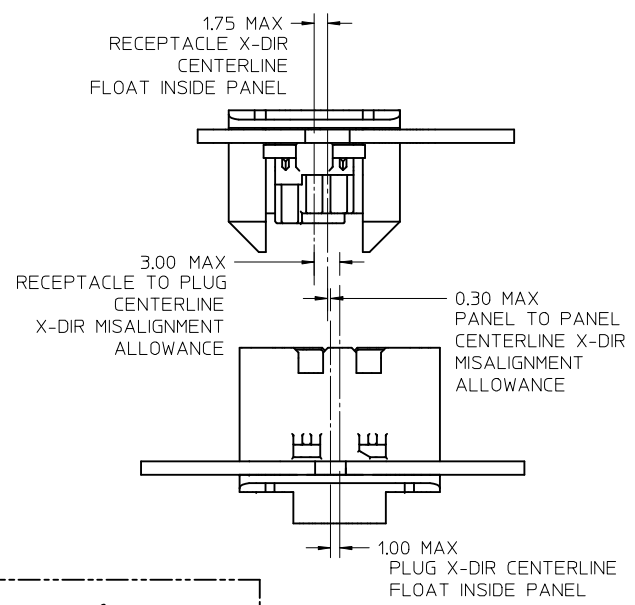
CKT 1 LOCATION



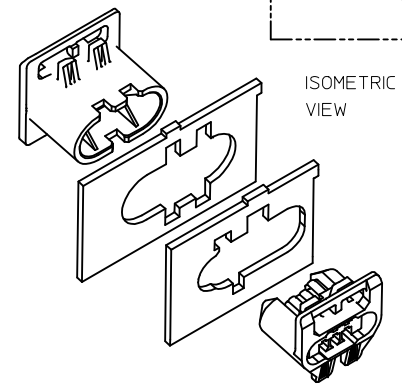
REVISED EC NO: UCP2010-0378 DRAWN: JGREGORI 2009/08/28 CHKD: 2009/08/28 APPR: JCOMERCI 2009/08/31	QUALITY SYMBOLS	GENERAL TOLERANCES (UNLESS SPECIFIED)		DIMENSION STYLE <b>MM ONLY</b>		SCALE 3:1	DESIGN UNITS METRIC	THIRD ANGLE PROJECTION			
		4 PLACES ± --- ± ---	3 PLACES ± --- ± ---	2 PLACES ± 0.13 ± ---	1 PLACE ± 0.25 ± ---	DRAWN BY _____ DATE _____	CHECKED BY _____ DATE _____	TITLE SPOX BMI PLUG HOUSING 8 CIRCUIT REAR ENTRY PANEL MOUNT			
		ANGULAR ±1/2°				APPROVED BY JCOMERCI DATE 2009/08/28		MOLEX INCORPORATED		SHEET NO. 1 OF 2	
		DRAFT WHERE APPLICABLE MUST REMAIN WITHIN DIMENSIONS				MATERIAL NO. 456260008		DOCUMENT NO. SD-45626-008		THIS DRAWING CONTAINS INFORMATION THAT IS PROPRIETARY TO MOLEX INCORPORATED AND SHOULD NOT BE USED WITHOUT WRITTEN PERMISSION	



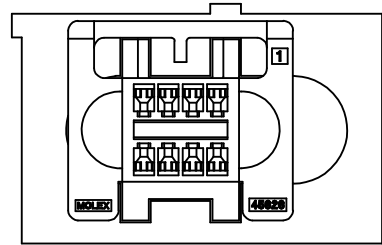
PANEL CUTOUT SCALE 3:1  
WIRE ENTRY SIDE VIEW  
PANEL THICKNESS 1.35mm +/-0.15



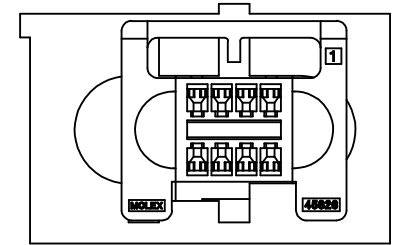
PANEL TO PANEL STACK HEIGHT



ISOMETRIC VIEW



PLUG INSERT POSITION



SLIDING DIRECTION  
PLUG SLIDES INTO MOUNTED POSITION

- NOTES:
1. TO CENTER 45626 PANEL CUTOUT WITH 45579 PANEL CUTOUT, ALIGN SPECIFIED CENTERLINES WITH CENTERLINES OF THE PANNEL CUTOUT IN THE DRAWING SD-45579-008.
  2. TERMINALS MUST BE ALLOWED TO FLOAT FREELY WITHIN CORE DO NOT TIE WIRES TOGETHER TIGHTLY, ALLOW WIRE TO MOVE.

SEE SHEET 1  
EC NO: UCP2010-0378  
DRAWN: TREGORI 2009/08/28  
CHKD: 2009/08/28  
APPR: JCOMERCI 2009/08/31

QUALITY SYMBOLS  
▽=0  
▽=0

GENERAL TOLERANCES (UNLESS SPECIFIED)	
	mm INCH
4 PLACES	± --- ± ---
3 PLACES	± --- ± ---
2 PLACES	± 0.13 ± ---
1 PLACE	± 0.25 ± ---
ANGULAR ± 1/2°	

DRAFT WHERE APPLICABLE MUST REMAIN WITHIN DIMENSIONS

DIMENSION STYLE  
MM ONLY  
DRAWN BY DATE  
CHECKED BY DATE  
APPROVED BY DATE  
JCOMERCI 2009/08/28  
MATERIAL NO.  
SEE SHEET 1

SCALE 3:1  
DESIGN UNITS METRIC  
THIRD ANGLE PROJECTION  
SPOX BMI PLUG HOUSING  
8 CIRCUIT  
REAR ENTRY PANEL MOUNT  
MOLEX INCORPORATED  
DOCUMENT NO. SD-45626-008  
SHEET NO. 2 OF 2

THIS DRAWING CONTAINS INFORMATION THAT IS PROPRIETARY TO MOLEX INCORPORATED AND SHOULD NOT BE USED WITHOUT WRITTEN PERMISSION