

PLEASE CHECK WWW.MOLEX.COM FOR LATEST PART INFORMATION

Part Number: [0039036122](#)
Status: **Active**
Overview: [standard_093](#)
Description: 2.36mm (.093") Diameter Standard .093" Pin and Socket Plug Housing With Positive Latch, UL 94V-2, 12 Circuits

Documents:

[3D Model](#) [Product Specification PS-3191-005 \(PDF\)](#)
[Drawing \(PDF\)](#) [RoHS Certificate of Compliance \(PDF\)](#)
[Product Specification PS-3191-001 \(PDF\)](#)

Agency Certification

CSA	LR19980
TUV	R72081037
UL	E29179

General

Product Family	Crimp Housings
Series	3191
Comments	Polarized to Mating Part
Overview	standard_093
Product Name	Standard .093"

Physical

Breakaway	No
Circuits (maximum)	12
Circuits Detail	3x4
Color - Resin	Natural
Flammability	94V-2
Gender	Dual
Glow-Wire Compliant	No
Keying to Mating Part	None
Lock to Mating Part	Yes
Material - Resin	Nylon
Number of Rows	3
Packaging Type	Bag
Panel Mount	No
Pitch - Mating Interface (in)	0.264 In
Pitch - Mating Interface (mm)	6.71 mm
Polarized to Mating Part	Yes
Stackable	No
Temperature Range - Operating	-40°C to +105°C

Electrical

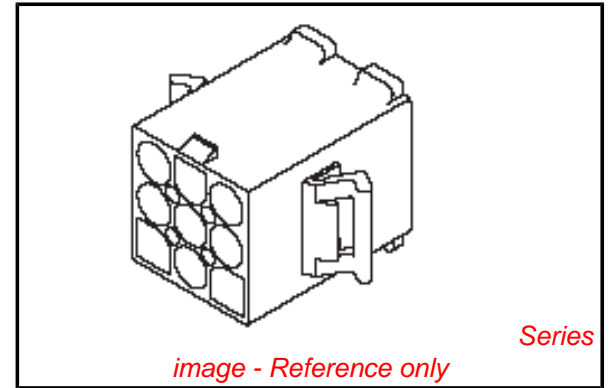
Current - Maximum per Contact	7A
-------------------------------	----

Material Info

Old Part Number	3191-12P1
-----------------	-----------

Reference - Drawing Numbers

Packaging Specification	SPK-3191-001
Product Specification	PS-3191-001, PS-3191-005, RPS-3191-001
Sales Drawing	SD-3191-12P1-*



EU RoHS

ELV and RoHS Compliant
REACH SVHC Contains SVHC: No
Halogen-Free Status
Not Reviewed

China RoHS



Need more information on product environmental compliance?

Email productcompliance@molex.com
 For a multiple part number RoHS Certificate of Compliance, [click here](#)

Please visit the [Contact Us](#) section for any non-product compliance questions.

Search Parts in this Series

[3191Series](#)

Mates With

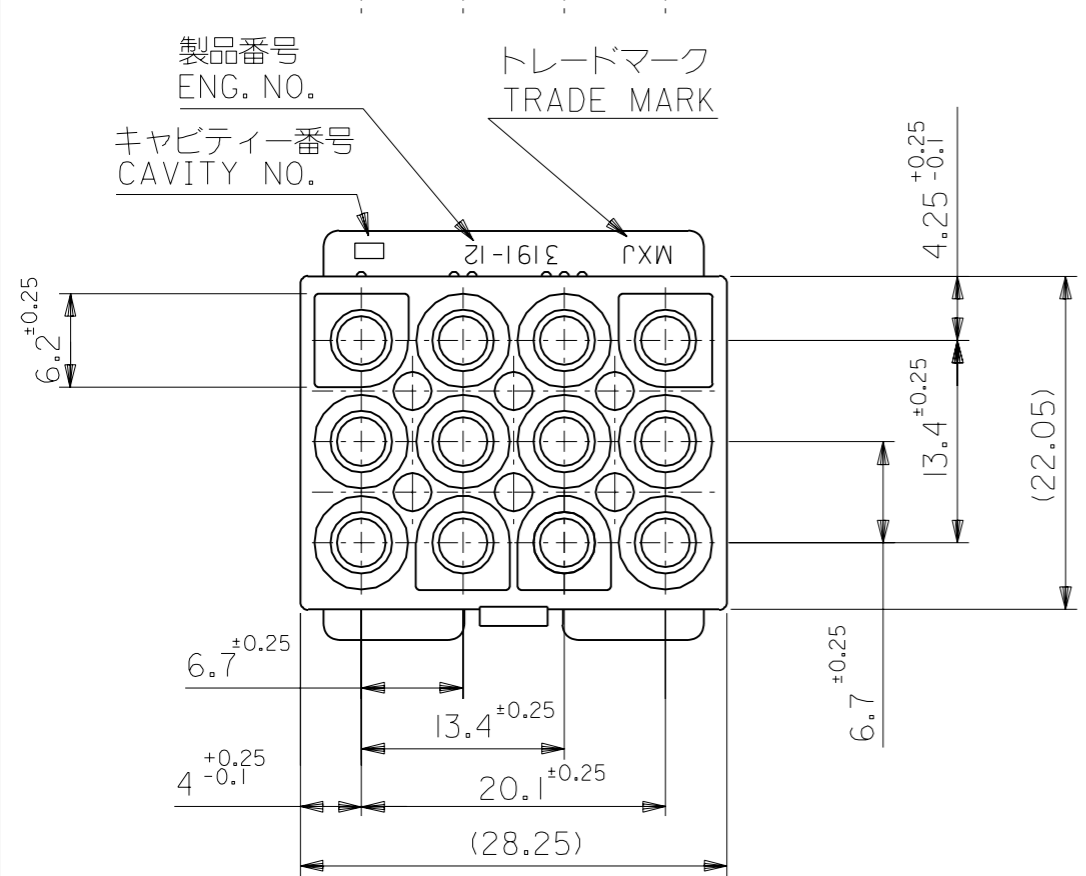
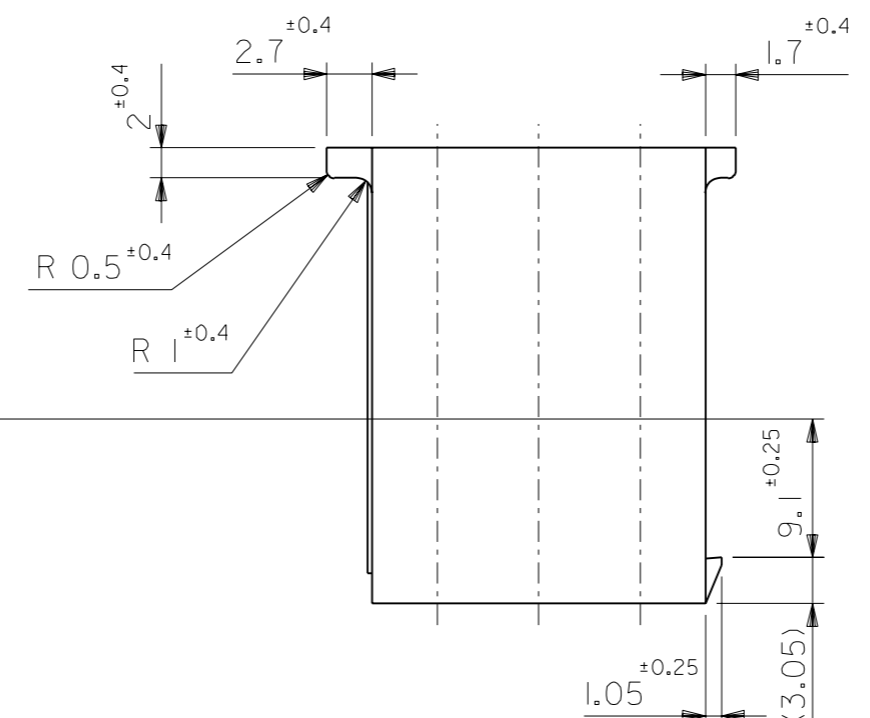
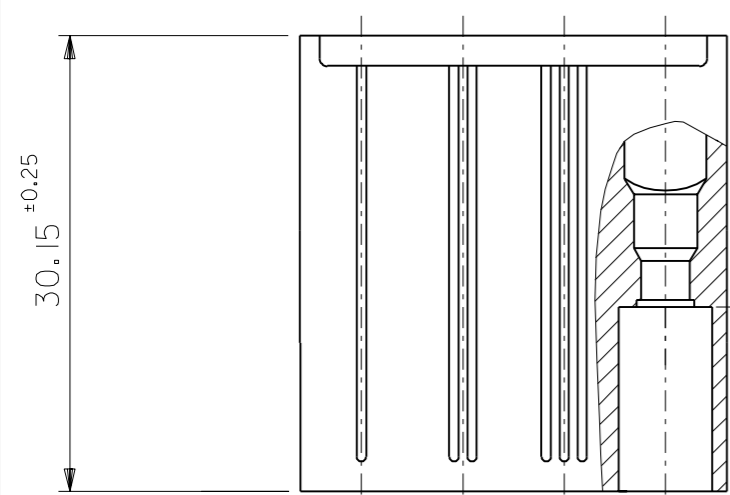
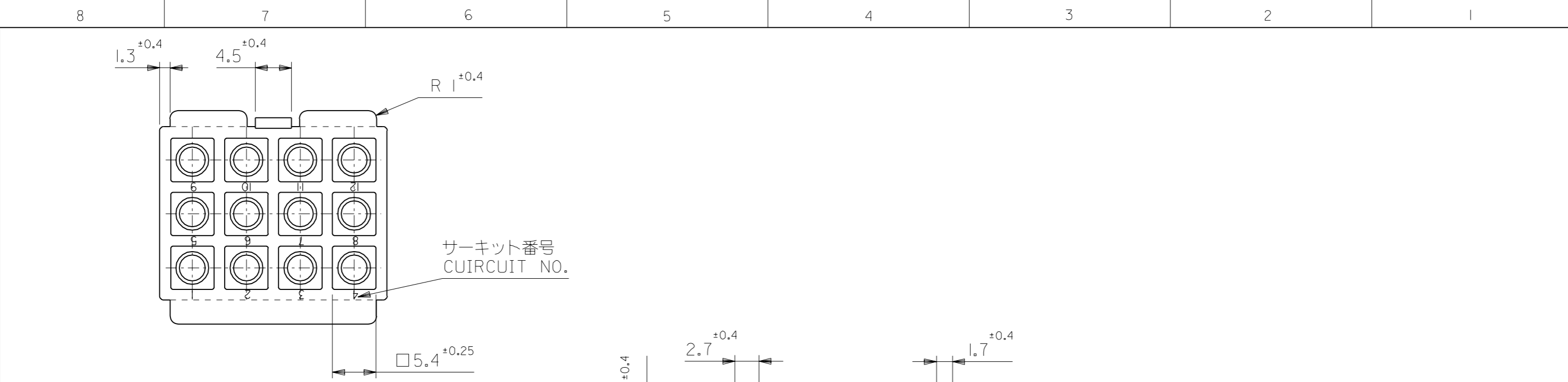
[3191](#) Pin and Socket Rectacle, [5219](#) Vertical PCB Header

Use With

[1189](#) Crimp Terminals, [1190](#) Crimp Terminals, [1380](#) Male Crimp Terminals, [1381](#) Female Crimp Terminals, [1433](#) Crimp Terminals, [1434](#) Male Crimp Terminals, [2605](#) , [2606](#) , [1973](#) , [2151](#) , [2273](#) , [2870](#) , [2871](#) , [4272](#) , Lin

PLEASE CHECK WWW.MOLEX.COM FOR LATEST PART INFORMATION

DWG. NO. SD-3191-12P1-*



注記
NOTE
() 内寸法は参考値
DIMENSIONS IN () ARE REFERENCE

39-03-6123	3191-12P1-201	NYLON66	94V-0
39-03-6122	3191-12P1	NYLON66	94V-2
EDP. NO.	ENG. NO.	MATERIAL	UL

材料 MATERIAL		表参照 SEE CHART		MOLEX-JAPAN CO.,LTD. 日本モレックス株式会社	
仕上げ FINISH		—		REVISE ONLY ON CAD SYSTEM	
適用電線範囲 WIRE RANGE		—		TITLE 名称	
被覆外径 INS. RANGE		—		12 CKT. PLUG HS'G. (.093 DIA. TERMINAL)	
DRAWN BY '96/06/26 H.IIJIMA		CHK'D BY '96/06/26 M.FUKUSHIMA		DWG. NO.	
APP'D BY '96/06/26 M.ENOMOTO		尺度 SCALE 2 : 1		SD-3191-12P1-*	
角度 ANGLE		±3°		REV	
30 以上 OVER		±0.3		K	
10 以上 30 未満 OVER UNDER		±0.25		記号 LTR	
10 未満 UNDER		±0.2		変更内容 REVISION RECORD	
一般公差 GENERAL TOLERANCES		K		DR. 日付 CHK. DATE	
		再作図 REDRAWN (JCT0317)		H.I. M.F. '96/06/26	