

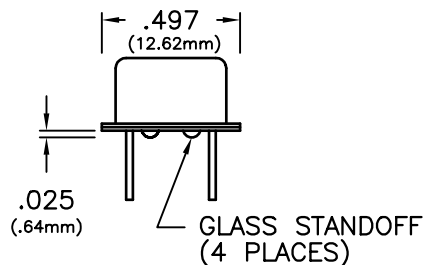
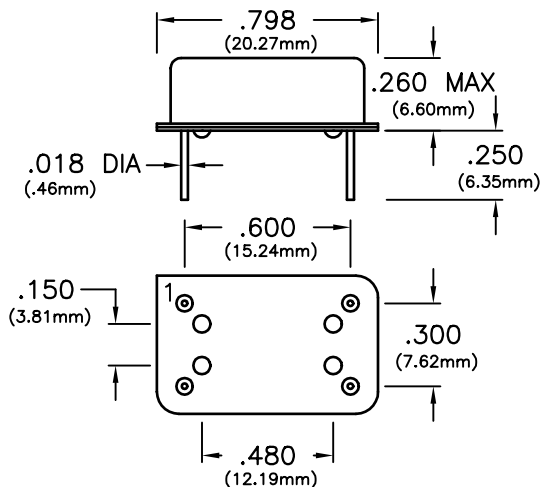


CONNOR-WINFIELD CORPORATION

AURORA, IL. 60505
 PHONE (630) 851-4722
 FAX (630) 851-5040

14 PIN DIP HCMOS

SPECIFICATIONS	HC13R5	HC14R5	HC15R5	HC16R5	HC17R5	
Frequency Range	1KHz to 70MHz					
Frequency Stability	±25ppm	±50ppm	±100ppm	±100ppm	±100ppm	
	(Inclusive of calibration tolerance at 25°C, operating temperature range, input voltage change, load change, aging, shock and vibration)					
Temperature Range	0 to +70°C	0 to +70°C	0 to +70°C	-40 to +85°C	-55 to +125°C	
Output	Waveform	HCMOS Squarewave				
	Load	15pF				
	Voltage	Voh	4.5V Minimum			
		Vol	0.5V Maximum			
	Current	Ioh	-4.0mA			
		Iol	4.0mA			
	Duty Cycle	40/60 Maximum				
Rise/Fall Time	6nS					
Start Up Time	10mS Maximum					
Supply Voltage	+5Vdc ±5%					
Supply Current	30mA Maximum					
Package	All metal, hermetically sealed, welded package					



PIN	CONNECTION
1	N/C
7	GROUND (CASE)
8	OUTPUT
14	(+) SUPPLY

Dimensional Tolerance ±.005

www.DataSheet4U.com

Specifications subject to change without notice