

**HF3000C-XO Series**

3 Phase & 3 lines 500VAC

Inquiry

Good for installation



EN60939-2 (file No.R50031226)

**Application**

IGBT inverter/AC servo/NC controller etc.

**Specifications**

Part No.	Rated Current	Weight	Dimensions [mm]													
			A	B	C	D	E	F	G	H	J	K	L	M	N	
HF3030C-XO	30A	4.5Kg	260	210	85	155	140	125	44	140	65	6.5x8	M5	M4	17	fig1
HF3050C-XO	50A	6Kg	290	240	100	190	175	125	44	160	80	6.5x8	M6	M4	17	
HF3080C-XO	80A	12Kg	354	300	100	220	200	180	56	195	115	8.5x12	M8	M6	22.5	fig2
HF3100C-XO	100A	12Kg	354	300	100	220	200	180	56	195	115	8.5◆12	M8	M6	22.5	
HF3150C-XO	150A	21Kg	570	550	400	200	100	7	133	180	M10	M8				fig3
HF3200C-XO	200A	22Kg	570	550	400	200	100	7	133	180	M10	M8				
Rated Voltage	500VAC															
Leakage Current	5.3mA															

fig1 (30,50A)

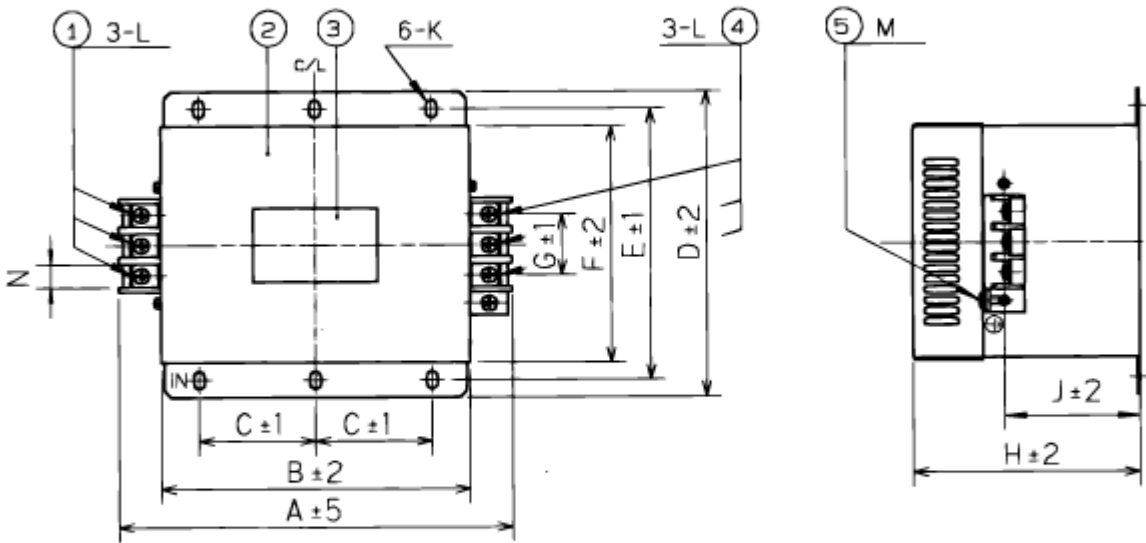


fig2 (80,100A)

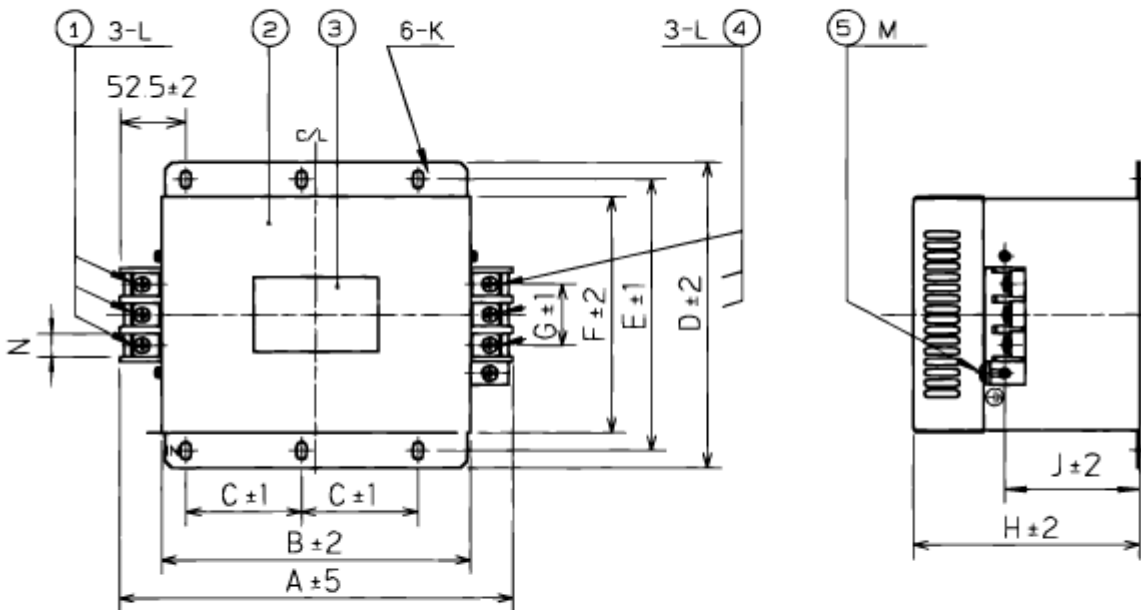
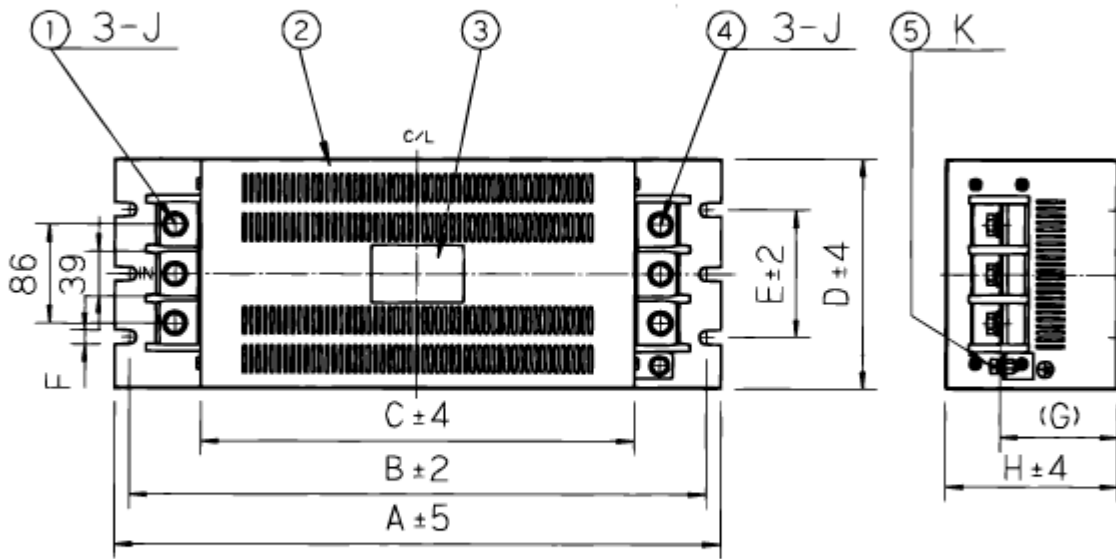


fig3 (150,200A)



## Frequency Data

