



VastLane™ HDMI Receiver

HDMI 1.3 Compatible Receiver with Deep Color Support

Silicon Image introduces the latest high-performance HDMI receiver in their VastLane product family. The VastLane SiI9125 HDMI receiver supports HDMI 1.3 features and provides performance well beyond other digital interface products on the market. As a founding developer of the HDMI specification, Silicon Image continues to develop leading-edge products that deliver digital quality to mass-market home theater systems.

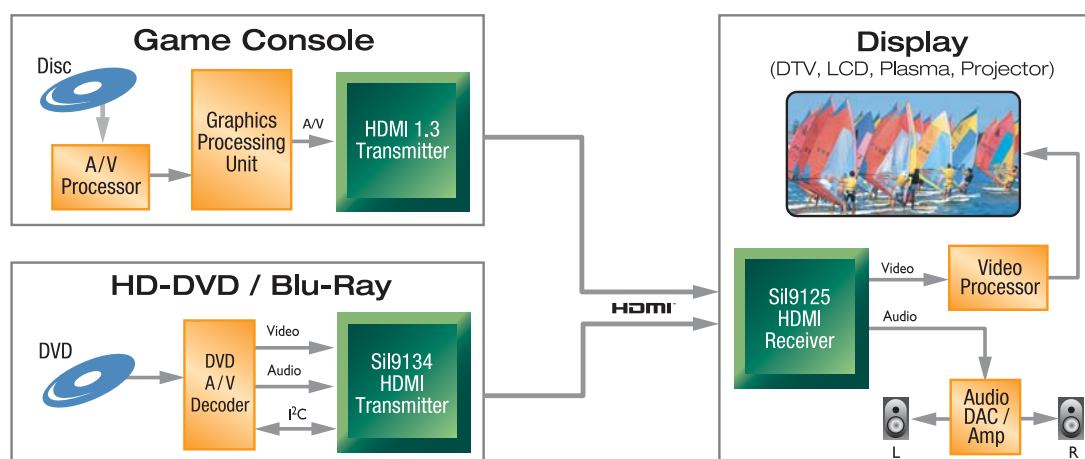
The latest advances in video performance require support of displays capable of 36-bit color depth and up to 1080p resolution at 60Hz or 720p/1080i resolution at 120Hz. Silicon Image's VastLane HDMI receivers meet these demands and are ideal for rapid integration into consumer electronics system architectures.

The SiI9125 is an advanced, dual-input HDMI 1.3 receiver that fits directly into digital televisions such as LCD-TVs, plasma displays and rear projection microdisplays (DLP, LCOS, SXRD, D-ILA). The SiI9125 has two HDMI input ports for connecting two HDMI 1.3 source devices such as HD-DVD or Blu-ray players or game consoles to an HDMI 1.3 enabled HDTV.

The SiI9125 can receive 2-channel digital audio up to 192 kHz. Compressed streams are also supported through the S/PDIF port. An industry-standard I²S port allows direct connection to low-cost audio DACs at up to 192 kHz. An S/PDIF port supports up to 192 kHz audio.

The built-in High-bandwidth Digital Content Protection (HDCP) decryption engine secures the digital link for transmission of valuable high-definition video and audio. Each SiI9125 is pre-programmed with unique HDCP keys, providing an extremely high level of security while reducing manufacturing complexity and cost.

SiI9125 System Diagram



SiI9125

Applications

- Rear projection DTV
- LCD-TV
- Plasma display
- Front projector

Key Features

- Compatible with HDMI 1.3 specification
- Supports up to 36-bit color depth at 1080p/60Hz, 720p/120Hz & 1080i/120Hz resolutions
- Built-in HDCP decryption engine

HDMI™
HIGH-DEFINITION MULTIMEDIA INTERFACE

Sil9125 Features

Sil9125 Starter Kit (CP9125HDMI)

Contents include:

Hardware

- Sil9125 receiver daughter board
- HDMI to HDMI cable

Software

- HDMI Gear receiver software tool

Documentation

- User's guide
- Schematics
- Bill of materials (BOM)

Industry-Standard Compliance

- HDMI 1.3
- DVI 1.0
- EIA/CEA-861D
- HDCP 1.1

Digital Video Input / Output

- Dual integrated HDMI 1.3 cores
- Supports DTV resolutions up to 1080p @ 60Hz or 720p/1080i @ 120Hz with 36-bit color depth
- Flexible digital video interface:
 - 24/30/36-bit RGB/YCbCr 4:4:4
 - 16/20/24-bit YCbCr 4:2:2
 - 8/10/12-bit YCbCr 4:2:2 (ITU-R BT.656)
 - 12/15/18-bit digital media output interface
- Integrated RGB Color Space Converter for both RGB-to-YCbCr and YCbCr-to-RGB (both 601 and 709) with true 12-bit accurate data using 14-bit processing
- 4:2:2 ↔ 4:4:4 converter with 12-bit accurate data using 14-bit processing

Power Management

- 1.8V core provides low-power operation
- Flexible power-down modes

System Operation

- Register-programmable via slave I²C interface
- Auto video mode simplifies design
- Auto audio mode allows more robust system
- Flexible interrupt registers with interrupt pin

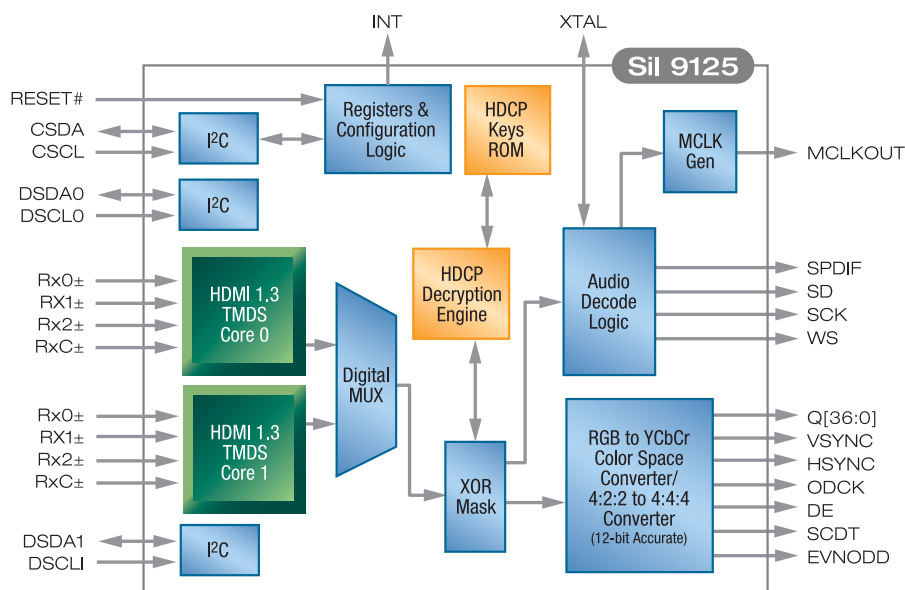
Digital Audio Output

- Industry-standard S/PDIF and I²C output
- Supports 2-channel 32-192kHz stereo audio
- Programmable I²S output supports numerous low-cost audio DACs
- Supports IEC60958 2-channel PCM
- Capable of receiving IEC61937 compressed audio (Dolby[®] Digital, DTS, etc.)

Content Protection

- Integrated HDCP cipher engine
- Built-in HDCP BIST
- Pre-programmed HDCP keys:
 - Simplify manufacturing process
 - Provide extremely secure solution
 - Lower system, manufacturing costs
- Built-in HDCP self-test

Sil9125 Circuit Diagram



Silicon Image, Inc.

1060 E. Arques Avenue
Sunnyvale, CA 94085

T 408.616.4000
F 408.830.9530

www.siliconimage.com

Simply Stored. Connected. Beautiful.

© 2007 Silicon Image, Inc. All rights reserved. Silicon Image, the Silicon Image logo, SiI and SiI9125, VastLane and the VastLane logo, and TMDS are trademarks or registered trademarks of Silicon Image, Inc. in the United States and other countries. HDMI, the HDMI logo and High-Definition Multimedia Interface are trademarks or registered trademarks of, and are used under license from, HDMI Licensing, LLC. Other trademarks are property of their respective holders. Product specifications are subject to change without notice.