

CRYDOM*Control over power*

Quad Relay

20Amp • 120/240 Vac • AC Output

- **Zero Voltage and Random Turn-On Switching**
- **Triac Output**
- **Industry Standard Package**
- **Panel Mount**

Four independent AC output relays come in a single standard panel-mount package. Utilizing an AC switch output with internal snubber, relays provide greater protection against false triggering. Model choices include zero-voltage or random turn-on (phase controllable) switching.

Manufactured in Crydom's ISO 9001 Certified facility for optimum product performance and reliability.

www.DataSheet4U.com

| MODEL NUMBER | T D2420Q |
|---|-----------|
| OUTPUT SPECIFICATIONS ① | |
| Operating Voltage (47-63 Hz) [Vrms] | 24-280 |
| Load Current Range ③ [Arms] | .15-20 |
| Transient Overvoltage [Vpk] | 600 |
| Max. Surge Current, (16.6ms) [Apk] | 250 |
| Max. On-State Voltage Drop @ Rated Current [Vpk] | 1.6 |
| Thermal Resistance Junction to Case ($R_{\theta JC}$) [0/W] | 1.2 |
| Maximum $I^2 t$ for Fusing, (8.3 msec.) [A ² sec] | 260 |
| Max. Off-State Leakage Current @ Rated Voltage [mArms] | 10 |
| Min. Off-State dv/dt @ Max. Rated Voltage [V/μsec] ② | 200 |
| Max. Turn-On Time ④ | 1/2 cycle |
| Max. Turn-Off Time | 1/2 cycle |
| Power Factor (Min.) with Max. Load | 0.5 |
| INPUT SPECIFICATIONS ① | |
| Control Voltage Range | 4-15 Vdc |
| Max. Turn-On Voltage | 4.0 Vdc |
| Min. Turn-Off Voltage | 1.0 Vdc |
| Nominal Input Impedance | 330 Ohms |
| Typical Input Current @ 5 Vdc | 12 mA |

©2002 CRYDOM CORP, Specifications subject to change without notice.

GENERAL NOTES

- ① All parameters at 25°C and per section unless otherwise specified.
- ② Off-State dv/dt test method per EIA/NARM standard RS-443, paragraph 13.11.1
- ③ Heat sinking required, max. 20A per section, **max. 60A per package.**
- ④ Turn-on time for random turn-on versions is 0.1 msec.



Quad Relay

20Amp • 120/240 Vac • AC Output

CRYDOM

Control over power

GENERAL SPECIFICATIONS

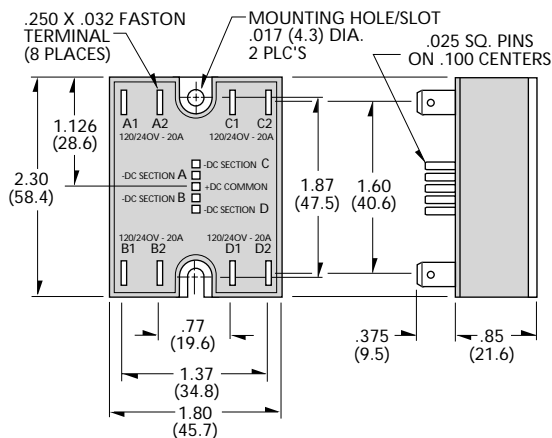
| | |
|---|---------------------|
| Dielectric Strength 50/60Hz Input/Output/Base | 2500 Vrms |
| Insulation Resistance (Min.) @ 500 Vdc | 10 ⁹ Ohm |
| Max. Capacitance Input/Output | 10 pF |
| Ambient Operating Temperature Range | -40 to 80°C |
| Ambient Storage Temperature Range | -40 to 125°C |

MECHANICAL SPECIFICATIONS

| | |
|-------------------|-------------------------------|
| Weight: (typical) | 3.5 oz. (109g) |
| Encapsulation: | Thermally Conductive Epoxy |
| Terminals: | .250 Faston, .025 Square Pins |

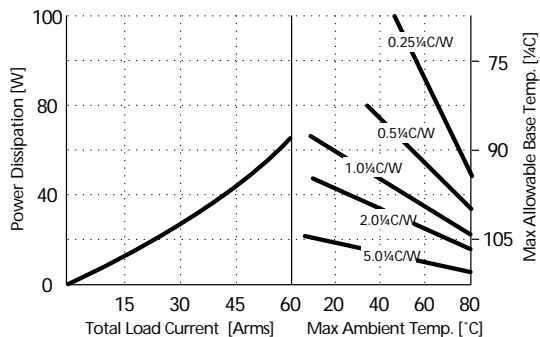
AVAILABLE OPTIONS

- 10 Random Turn-On, Phase Controllable
Example: TD242 0Q-10

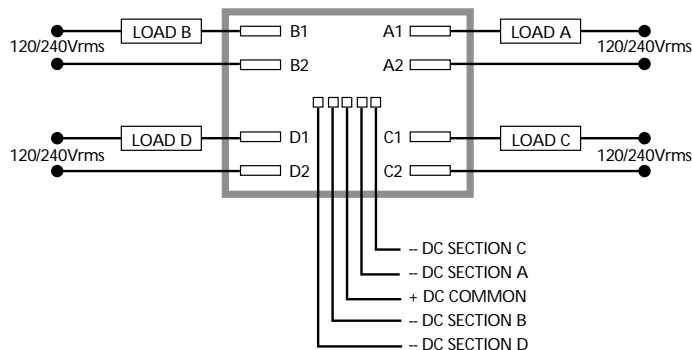


All dimensions are in inches (millimeters)

CURRENT DERATING CURVES



WIRING DIAGRAM



Crydom Heat Sinks offer excellent thermal management and are perfectly matched to the load current ratings of Crydom panel mount relays. Request Crydom's Heat Sink specification sheet for all the details.

©2002 CRYDOM CORP, Specifications subject to change without notice.

APPROVALS

UL E116949
CSA LR81689



FastFax Document No. 166
QUAD
Rev. 041902
PAGE 2 OF 2

For recommended applications and more information contact:

USA: Sales Support (877) 502-5500 Tech Support (877) 702-7700 FAX (619) 710-8540

Crydom Corp, 2320 Paseo de las Americas, Ste. 201, San Diego, CA 92154

Email: sales@crydom.com WEB SITE: http://www.crydom.com

UK: +44 (0)1202 365070 • FAX +44 (0)1202 365090 Crydom International Ltd., 7 Cobham Road, Ferndown Industrial Estate, Ferndown, Dorset BH21 7PE, Email: intsales@crydom.com.

GERMANY: +49 (0)180 3000 506



www.DataSheet4U.com