

**PLEASE CHECK WWW.MOLEX.COM FOR LATEST PART INFORMATION**

**Part Number:** [0905711601](#)  
**Status:** **Active**  
**Description:** 2.54mm (.100") Pitch QF-50™ Header, Vertical, Dual Row, Shrouded, DIN Keying, with Latch/Eject Levers, 60 Circuits, 0.1 µm Gold (Au)

**Documents:**

[3D Model](#) [RoHS Certificate of Compliance \(PDF\)](#)  
[Drawing \(PDF\)](#)

**Agency Certification**

CSA LR19980  
 UL E29179

**General**

Product Family Ribbon Cable / Wire Trap Connectors  
 Series [90571](#)  
 Comments Eject Levers  
 Component Type PCB Header  
 Glow-Wire Compliant No  
 Product Name QF-50™

**Physical**

Circuits (Loaded) 60  
 Circuits (maximum) 60  
 Color - Resin Black  
 Durability (mating cycles max) 50  
 Entry Angle Vertical  
 Flammability 94V-0  
 Lock to Mating Part None  
 Material - Metal Brass  
 Material - Plating Mating Gold  
 Material - Plating Termination Tin  
 Material - Resin Polyester  
 Number of Rows 2  
 PCB Locator No  
 PCB Retention None  
 PCB Thickness Recommended (in) 0.062 In  
 PCB Thickness Recommended (mm) 1.60 mm  
 Packaging Type Tray  
 Pitch - Mating Interface (in) 0.100 In  
 Pitch - Mating Interface (mm) 2.54 mm  
 Pitch - Term. Interface (in) 0.100 In  
 Pitch - Term. Interface (mm) 2.54 mm  
 Plating min: Mating (µin) 4  
 Plating min: Mating (µm) 0.1  
 Plating min: Termination (µin) 120  
 Plating min: Termination (µm) 3  
 Polarized to Mating Part Yes  
 Polarized to PCB No  
 Shrouded Yes  
 Stackable Yes  
 Surface Mount Compatible (SMC) No  
 Temperature Range - Operating -25°C to +85°C  
 Termination Interface: Style Through Hole  
 Wire Insulation Diameter N/A  
 Wire Size AWG N/A



*image - Reference only*

**EU RoHS**

**ELV and RoHS Compliant**  
**REACH SVHC**  
 Not Reviewed  
**Halogen-Free Status**  
**Not Reviewed**

**China RoHS**



**Need more information on product environmental compliance?**

Email [productcompliance@molex.com](mailto:productcompliance@molex.com)  
 For a multiple part number RoHS Certificate of Compliance, [click here](#)

Please visit the [Contact Us](#) section for any non-product compliance questions.

**Search Parts in this Series**

[90571Series](#)

**Mates With**

[90635 QF-50™ Female Housing](#)

Wire/Cable Type

Ribbon Cable

**Electrical**

Current - Maximum per Contact

1A

Voltage - Maximum

250V

**Solder Process Data**

Lead-free Process Capability

Wave Capable (TH only)

**Material Info**

**Reference - Drawing Numbers**

Sales Drawing

SDA-90571

This document was generated on 06/08/2010

**PLEASE CHECK [WWW.MOLEX.COM](http://WWW.MOLEX.COM) FOR LATEST PART INFORMATION**



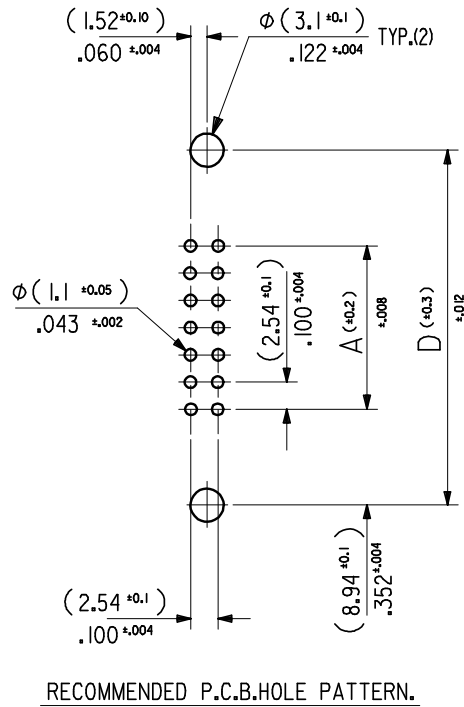
DIMENSIONS FOR SELECTIVE PLATING'S, SCALE 4:1

- NOTES:
- FOR MATERIAL SPECIFICATION SEE NOTE 1. ON SHEET 2.
  - FOR RECOMMENDED P.C.B.HOLE PATTERN, PART No's AND UNSTATED DIMENSIONS SEE SHEET 2.
  - PRODUCT SPEC. No. :PS 99020-0015



CHANGED GEN TOL. EC NO: E2008-0461 DRWN: NIKI ERNAN 2008/03/05 CHKD: 2008/03/06 APPR: BMAGUIRE 2008/03/06	QUALITY SYMBOLS ▼ = ▽ =	GENERAL TOLERANCES (UNLESS SPECIFIED)		DIMENSION STYLE IN/MM		SCALE 2:1	DESIGN UNITS INCH	THIRD ANGLE PROJECTION	
		4 PLACES ± --- ±	3 PLACES ± ±	2 PLACES ±0.15 ±.005	1 PLACE ±0.02 ±.008	ANGULAR ±1/2°	DRAWN BY SM	DATE 3 /8/90	CHECKED BY X
DRAFT WHERE APPLICABLE MUST REMAIN WITHIN DIMENSIONS		MATERIAL NO.		DOCUMENT NO. SDA-90571		TITLE QIK FLECS WIPE FEMALE MOLEX INCORPORATED		SHEET NO. 1 OF 4	
THIS DRAWING CONTAINS INFORMATION THAT IS PROPRIETARY TO MOLEX INCORPORATED AND SHOULD NOT BE USED WITHOUT WRITTEN PERMISSION									

(78.74)/3.100	(86.34)/3.400	(90.52)/3.564	(96.62)/3.804	(100.74)/3.966	90571-1641	90571-1642	90571-1643	64	
(73.66)/2.900	(81.26)/3.200	(85.44)/3.364	(91.54)/3.604	(95.66)/3.766	↑ -1601	↑ -1602	↑ -1603	60	
(60.96)/2.400	(68.56)/2.700	(72.74)/2.864	(78.84)/3.104	(82.96)/3.266	-1501	-1502	-1503	90571-1509	
(48.26)/1.900	(55.86)/2.200	(60.04)/2.364	(66.14)/2.604	(70.26)/2.766	-1401	-1402	-1403	↑ -1409	
(40.64)/1.600	(48.24)/1.900	(52.42)/2.064	(58.52)/1.304	(62.64)/2.466	-1341	-1342	-1343	-1349	
(35.56)/1.400	(43.16)/1.700	(47.34)/1.864	(53.44)/2.104	(57.56)/2.266	-1301	-1302	-1303	-1309	
(30.48)/1.200	(38.08)/1.500	(42.26)/1.664	(48.36)/1.904	(52.48)/2.066	-1261	-1262	-1263	-1269	
(22.86)/.900	(30.46)/1.200	(34.64)/1.364	(40.74)/1.604	(44.86)/1.766	-1201	-1202	-1203	-1209	
(17.78)/.700	(25.38)/1.000	(29.56)/1.164	(35.66)/1.404	(39.78)/1.566	-1161	-1162	-1163	-1169	
(15.24)/.600	(22.84)/.900	(27.02)/1.064	(33.12)/1.304	(37.24)/1.466	↓ -1141	↓ -1142	↓ -1143	↓ -1149	
(10.16)/.400	(17.76)/.700	(21.94)/.864	(28.04)/1.104	(32.16)/1.266	90571-1101	90571-1102	90571-1103	90571-1109	
A	B	C	D	E	ENG. NO. GS1 PLATING	ENG. NO. GS2 PLATING	ENG. NO. GS3 PLATING	ENG. NO. PRE TIN	NO.OF CKTS.



**NOTES**

**1.MATERIAL**

HEADER : GLASS FILLED POLYESTER (UL 94V0), COLOUR - BLACK.  
 PINS : BRASS SIZE  $\square$  (0.635)/.025 .  
 LEVER : GLASS FILLED POLYESTER (UL 94V0), COLOUR - BLACK.

**2.COLOUR IDENTIFICATION MARK FOR PLATING OPTIONS.**

90571-1\*\*1, (1um)/39uin MIN. NICKEL UNDERPLATE. CONTACT AREA  
 GS1 PLATING (0.1um)/4uin MIN. GOLD. SOLDER AREA (3um)/118uin MIN.  
 TIN. COLOUR MARK: YELLOW.  
 90571-1\*\*2, (1um)/39uin MIN. NICKEL UNDERPLATE. CONTACT AREA  
 GS2 PLATING (0.76um)/30uin MIN. GOLD. SOLDER AREA (3um)/118uin MIN.  
 TIN. COLOUR MARK: BROWN.  
 90571-1\*\*3, (1um)/39uin MIN. NICKEL UNDERPLATE. CONTACT AREA  
 GS3 PLATING (0.25um)/10uin MIN. GOLD. SOLDER AREA (3um)/118uin MIN.  
 TIN. COLOUR MARK: BLUE.  
 90571-1\*\*9, (0.5-1um)/20-40uin NICKEL UNDER (1.0-3.0um)/39-118uin TIN.  
 PRE-TIN COLOUR MARK: BLACK, (NO MARK).

**3. RECOMMENDED PCB THICKNESS 1.6mm**

CHANGED GEN TOL. EC NO: E2008-0461 DRWN:ILK/ERNAN 2008/03/05 CHKD: 2008/03/06 APPR:BMAGUIRE 2008/03/06	QUALITY SYMBOLS ▽ = ▽ =	GENERAL TOLERANCES (UNLESS SPECIFIED)		DIMENSION STYLE IN/MM		SCALE <b>2:1</b>	DESIGN UNITS INCH	THIRD ANGLE PROJECTION		
		4 PLACES	±	---	±	mm	INCH	DRAWN BY SM SM		DATE 3 / 8 / 2000
		3 PLACES	±		±			CHECKED BY X		DATE
		2 PLACES	±	0.15	±	0.005		APPROVED BY X		DATE
		1 PLACE	±	0.20	±	0.008	MATERIAL NO. SEE CHART		DOCUMENT NO. SDA-90571	
		ANGULAR ±1/2°		DRAFT WHERE APPLICABLE MUST REMAIN WITHIN DIMENSIONS		THIS DRAWING CONTAINS INFORMATION THAT IS PROPRIETARY TO MOLEX INCORPORATED AND SHOULD NOT BE USED WITHOUT WRITTEN PERMISSION		SHEET NO. 2 OF 4		