

PLEASE CHECK WWW.MOLEX.COM FOR LATEST PART INFORMATION

Part Number: [0791077014](#)
Status: **Active**
Description: 2.00mm (.079") Pitch Milli-Grid™ Receptacle, Vertical, Through Hole, Dual Row, 3.00mm (.118) Tail Length, 0.38µm (15µ") Gold (Au) Selective Plating, 30 Circuits, Leadfree

Documents:

[3D Model](#) [Product Specification PS-79107 \(PDF\)](#)
[Drawing \(PDF\)](#) [RoHS Certificate of Compliance \(PDF\)](#)

General

Product Family PCB Receptacles
 Series [79107](#)
 Application Board-to-Board
 Product Name Milli-Grid™

Physical

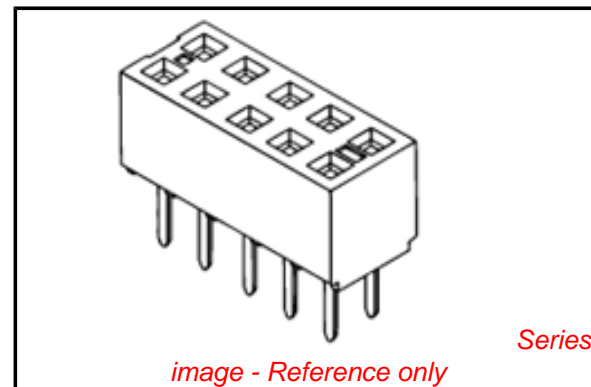
Circuits (Loaded) 30
 Color - Resin Black
 Durability (mating cycles max) 50
 Glow-Wire Compliant No
 Lock to Mating Part None
 Material - Metal Phosphor Bronze
 Material - Plating Mating Gold
 Material - Plating Termination Tin
 Material - Resin High Temperature Thermoplastic
 Number of Rows 2
 Orientation Vertical
 PC Tail Length (in) 0.118 In
 PC Tail Length (mm) 3.00 mm
 PCB Locator No
 PCB Retention None
 PCB Thickness Recommended (in) 0.062 In
 PCB Thickness Recommended (mm) 1.60 mm
 Packaging Type Tube
 Pitch - Mating Interface (in) 0.079 In
 Pitch - Mating Interface (mm) 2.00 mm
 Pitch - Term. Interface (in) 0.079 In
 Pitch - Term. Interface (mm) 2.00 mm
 Plating min: Mating (µin) 15
 Plating min: Mating (µm) 0.375
 Plating min: Termination (µin) 75
 Plating min: Termination (µm) 1.875
 Polarized to Mating Part No
 Polarized to PCB No
 Surface Mount Compatible (SMC) Yes
 Temperature Range - Operating -55°C to +105°C
 Termination Interface: Style Through Hole

Electrical

Current - Maximum per Contact 1A
 Voltage - Maximum 125V

Solder Process Data

Duration at Max. Process Temperature (seconds) 10
 Lead-free Process Capability Wave Capable (TH only)



EU RoHS

ELV and RoHS Compliant
REACH SVHC
 Not Reviewed
Halogen-Free Status
 Not Reviewed

China RoHS



Need more information on product environmental compliance?

Email productcompliance@molex.com
 For a multiple part number RoHS Certificate of Compliance, [click here](#)

Please visit the [Contact Us](#) section for any non-product compliance questions.

Search Parts in this Series

[79107Series](#)

Mates With

[87758](#) Vertical, Through Hole, Stackable PCB Header, [87759](#) Vertical, Surface Mount, Stackable PCB Header, [87760](#) Right Angle, Through Hole, Stackable PCB Header, [87831](#) Vertical, Through Hole PCB Header, [87832](#) Vertical, Surface Mount PCB

| | |
|---|-----|
| Max. Cycles at Max. Process Temperature | 1 |
| Process Temperature max. C | 260 |

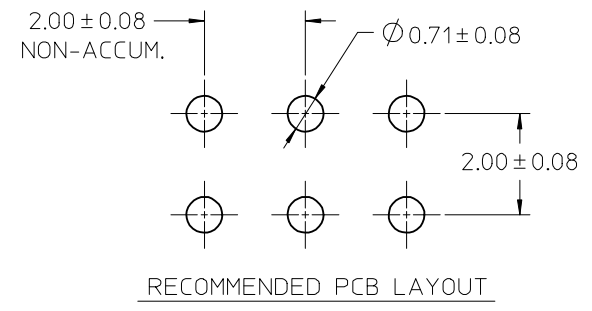
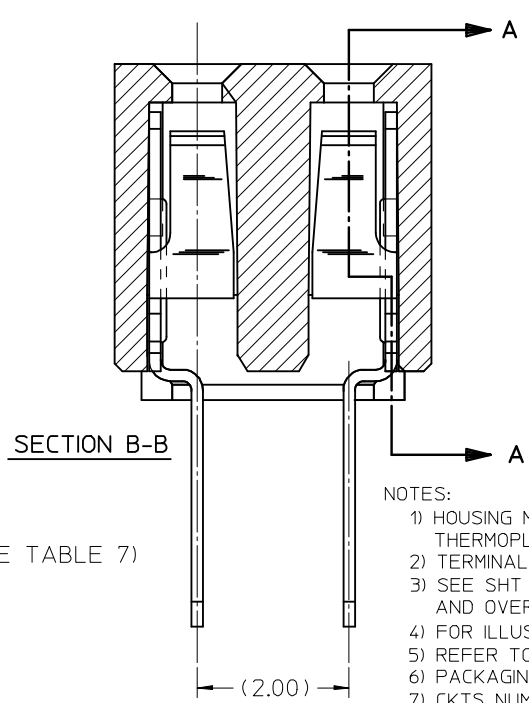
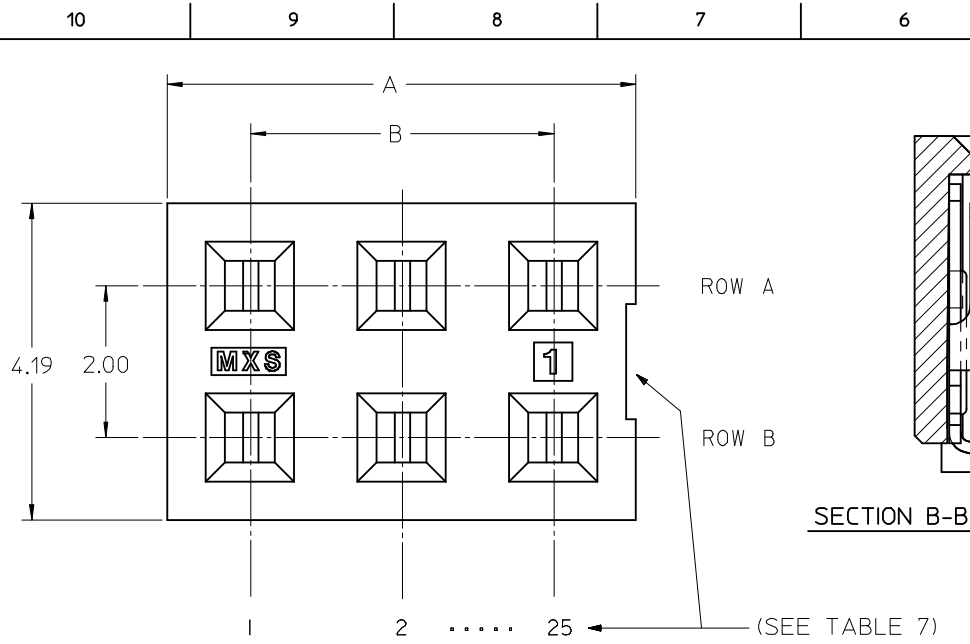
Material Info

Reference - Drawing Numbers

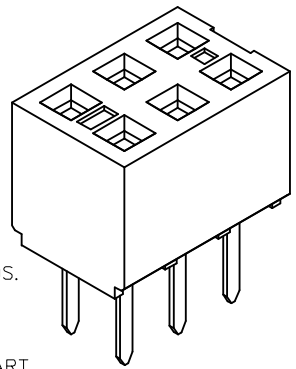
| | |
|-----------------------|----------------|
| Product Specification | PS-79107 |
| Sales Drawing | SDA-79107-**** |

This document was generated on 03/18/2010

PLEASE CHECK WWW.MOLEX.COM FOR LATEST PART INFORMATION

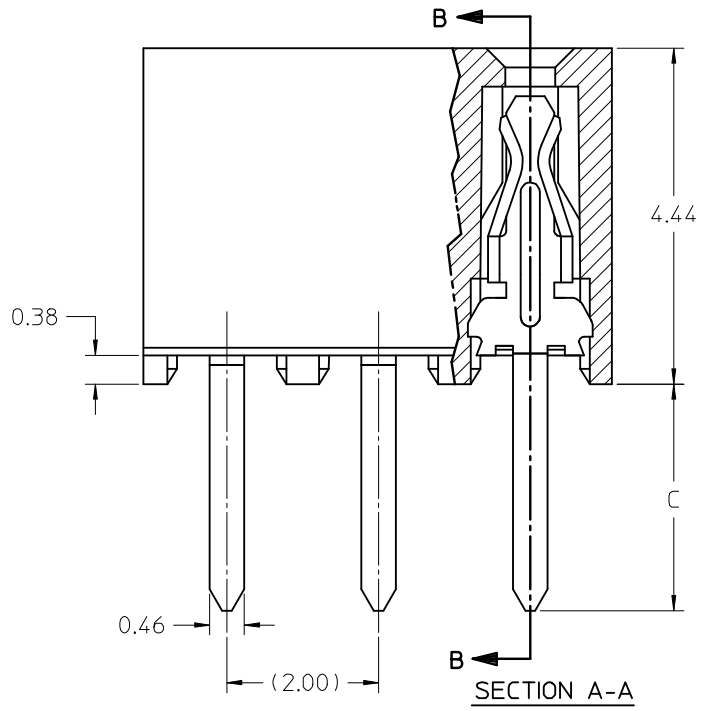


- NOTES:
- 1) HOUSING MATERIAL: GLASS FILLED HIGH TEMP THERMOPLASTIC, COLOR: BLACK
 - 2) TERMINAL MATERIAL: PHOSPHOR BRONZE
 - 3) SEE SHT 2 FOR CKT SIZE, PART NUMBERS AND OVERALL DIMENSIONS, SEE SHT 3 FOR VOIDS.
 - 4) FOR ILLUSTRATION, 6 CKT ASSY SHOWN.
 - 5) REFER TO PRODUCT SPEC PS-79107
 - 6) PACKAGING PER PK-70873-0180
 - 7) CKTS NUMBERED FROM LEFT TO RIGHT WHEN PART IS VIEWED FROM TOP WITH RECESS ON THE RIGHT AS SHOWN.
 - 8) SOLDER TAIL TO BE MEASURED BY PITCH GAUGE.



PLATING OPTION:

- 4) - 30u"/0.76um MIN GOLD PLATE IN SELECTED AREA
75u"/1.90um MIN TIN PLATE IN SELECTED AREA
BOTH OVER 50u"/1.25um MIN NICKEL OVERALL
- 5) - 15u"/0.38um MIN GOLD PLATE IN SELECTED AREA
75u"/1.90um MIN TIN PLATE IN SELECTED AREA
BOTH OVER 50u"/1.25um MIN NICKEL OVERALL
- 6) - 2u"/0.05um MIN GOLD PLATE IN SELECTED AREA
40u"/1.02um MIN TIN PLATE IN SELECTED AREA
BOTH OVER 40u"/1.02um MIN NICKEL OVERALL



| | | | | | | | |
|---|-------------------------------|---|---|--|---------------------|--------------------------------------|------------------------|
| PDRS#1861, ADD 791075104, 5105, 5106, 5107 EC NO: S2009-0107 DRWN:ATSEE 2008/09/03 CHKD:SKANG 2008/09/15 APPR:MLONG 2008/09/15 | QUALITY SYMBOLS ▽=0 ◻=0 | GENERAL TOLERANCES (UNLESS SPECIFIED) | | DIMENSION STYLE MM ONLY | SCALE NTS | DESIGN UNITS METRIC | THIRD ANGLE PROJECTION |
| | | 4 PLACES ± --- ± --- 3 PLACES ± --- ± --- 2 PLACES ± 0.25 ± --- 1 PLACE ± 0.38 ± --- | mm INCH DRAWN BY DATE AAB 1989/05/15 CHECKED BY DATE MJM 1989/05/15 APPROVED BY DATE WAZ 1989/05/15 | TITLE 2MM DUAL ROW VERTICAL RECEPTACLE T/H | | | |
| | | ANGULAR ± 1/2° | | MATERIAL NO. DOCUMENT NO. | | SHEET NO. | |
| | | DRAFT WHERE APPLICABLE MUST REMAIN WITHIN DIMENSIONS | | SEE TABLE | | MOLEX INCORPORATED SDA-79107-**** | |

F

F

E

E

D

D

C

C

B

B

A

A

| CKT SIZE | DIM 'A' | DIM 'B' | P.C.TAIL DIMENSION 'C' = 3.00 | | | | | | P.C.TAIL DIMENSION 'C' = 1.91 | | | | | |
|----------|---------|---------|-------------------------------|------------|------------------|------------|------------------|------------|-------------------------------|------------|------------------|--|------------------|--|
| | | | PLATING OPTION 5 | | PLATING OPTION 4 | | PLATING OPTION 6 | | PLATING OPTION 5 | | PLATING OPTION 4 | | PLATING OPTION 6 | |
| | | | ITEM NO. | | ITEM NO. | | ITEM NO. | | ITEM NO. | | ITEM NO. | | ITEM NO. | |
| 04 | (4.19) | (2.00) | 79107-7001 | 79107-7051 | X | 79107-7126 | 79107-7201 | 79107-7251 | X | 79107-7326 | | | | |
| 06 | (6.19) | (4.00) | 79107-7002 | 79107-7052 | X | 79107-7127 | 79107-7202 | 79107-7252 | X | 79107-7327 | | | | |
| 08 | (8.19) | (6.00) | 79107-7003 | 79107-7053 | X | 79107-7128 | 79107-7203 | 79107-7253 | X | 79107-7328 | | | | |
| 10 | (10.19) | (8.00) | 79107-7004 | 79107-7054 | X | 79107-7129 | 79107-7204 | 79107-7254 | X | 79107-7329 | | | | |
| 12 | (12.19) | (10.00) | 79107-7005 | 79107-7055 | | 79107-7130 | 79107-7205 | 79107-7255 | | 79107-7330 | | | | |
| 14 | (14.19) | (12.00) | 79107-7006 | 79107-7056 | X | 79107-7131 | 79107-7206 | 79107-7256 | X | 79107-7331 | | | | |
| 16 | (16.19) | (14.00) | 79107-7007 | 79107-7057 | X | 79107-7132 | 79107-7207 | 79107-7257 | X | 79107-7332 | | | | |
| 18 | (18.19) | (16.00) | 79107-7008 | 79107-7058 | X | 79107-7133 | 79107-7208 | 79107-7258 | X | 79107-7333 | | | | |
| 20 | (20.19) | (18.00) | 79107-7009 | 79107-7059 | X | 79107-7134 | 79107-7209 | 79107-7259 | X | 79107-7334 | | | | |
| 22 | (22.19) | (20.00) | 79107-7010 | 79107-7060 | X | 79107-7135 | 79107-7210 | 79107-7260 | X | 79107-7335 | | | | |
| 24 | (24.19) | (22.00) | 79107-7011 | 79107-7061 | X | 79107-7136 | 79107-7211 | 79107-7261 | X | 79107-7336 | | | | |
| 26 | (26.19) | (24.00) | 79107-7012 | 79107-7062 | X | 79107-7137 | 79107-7212 | 79107-7262 | X | 79107-7337 | | | | |
| 28 | (28.19) | (26.00) | 79107-7013 | 79107-7063 | X | 79107-7138 | 79107-7213 | 79107-7263 | X | 79107-7338 | | | | |
| 30 | (30.19) | (28.00) | 79107-7014 | 79107-7064 | X | 79107-7139 | 79107-7214 | 79107-7264 | X | 79107-7339 | | | | |
| 32 | (32.19) | (30.00) | 79107-7015 | 79107-7065 | X | 79107-7140 | 79107-7215 | 79107-7265 | X | 79107-7340 | | | | |
| 34 | (34.19) | (32.00) | 79107-7016 | 79107-7066 | X | 79107-7141 | 79107-7216 | 79107-7266 | X | 79107-7341 | | | | |
| 36 | (36.19) | (34.00) | 79107-7017 | 79107-7067 | X | 79107-7142 | 79107-7217 | 79107-7267 | X | 79107-7342 | | | | |
| 38 | (38.19) | (36.00) | 79107-7018 | 79107-7068 | X | 79107-7143 | 79107-7218 | 79107-7268 | X | 79107-7343 | | | | |
| 40 | (40.19) | (38.00) | 79107-7019 | 79107-7069 | X | 79107-7144 | 79107-7219 | 79107-7269 | X | 79107-7344 | | | | |
| 42 | (42.19) | (40.00) | 79107-7020 | 79107-7070 | X | 79107-7145 | 79107-7220 | 79107-7270 | X | 79107-7345 | | | | |
| 44 | (44.19) | (42.00) | 79107-7021 | 79107-7071 | X | 79107-7146 | 79107-7221 | 79107-7271 | X | 79107-7346 | | | | |
| 46 | (46.19) | (44.00) | 79107-7022 | 79107-7072 | X | 79107-7147 | 79107-7222 | 79107-7272 | X | 79107-7347 | | | | |
| 48 | (48.19) | (46.00) | 79107-7023 | 79107-7073 | X | 79107-7148 | 79107-7223 | 79107-7273 | X | 79107-7348 | | | | |
| 50 | (50.19) | (48.00) | 79107-7024 | 79107-7074 | X | 79107-7149 | 79107-7224 | 79107-7274 | X | 79107-7349 | | | | |

X - DENOTES THE ITEM IS NOT AVAILABLE CURRENTLY.

| | | | | | | |
|---|-----------------|---|------------------|---|--------------|------------------------|
| PDRS#1661, ADD 791075104, 5105, 5106, 5107 EC NO: S2009-0107 DRW:NATSEE 2008/09/03 CHKD:SKANG 2008/09/15 APPR:MLONG 2008/09/15 | QUALITY SYMBOLS | GENERAL TOLERANCES (UNLESS SPECIFIED) | DIMENSION STYLE | SCALE | DESIGN UNITS | THIRD ANGLE PROJECTION |
| | ▼=0 ◻=0 | mm INCH 4 PLACES ± --- ± --- 3 PLACES ± --- ± --- 2 PLACES ± 0.25 ± --- 1 PLACE ± 0.38 ± --- ANGULAR ± 1/2° | MM ONLY | NTS | METRIC | |
| | DESCRIPTION | DRAFT WHERE APPLICABLE MUST REMAIN WITHIN DIMENSIONS | DRAWN BY DATE | TITLE | | |
| | REV | | AAB 1989/05/15 | 2MM DUAL ROW VERTICAL RECEPTACLE T/H | | |
| | | | CHECKED BY DATE | MOLEX INCORPORATED | | |
| | | | MJM 1989/05/15 | SDA-79107-**** | | |
| | | | APPROVED BY DATE | SHEET NO. | | |
| | | | WAZ 1989/05/15 | 2 OF 3 | | |
| | | | MATERIAL NO. | THIS DRAWING CONTAINS INFORMATION THAT IS PROPRIETARY TO MOLEX INCORPORATED AND SHOULD NOT BE USED WITHOUT WRITTEN PERMISSION | | |
| | | | SEE TABLE | | | |

MOLDED VOID OPTION
ASSEMBLIES WITHOUT PEGS

| CKT. SIZE | ASSEMBLY ITEM NO. | VOID LOCATION(S) SEE SHEET 1 FOR CONVENTION | | PLATING OPTION | DIM. "A" | DIM. "B" | P.C. TAIL DIM. "C" |
|-----------|----------------------|--|-------------|-------------------|----------|----------|-----------------------|
| | | ROW | CKT. NO.(s) | | | | |
| 24 | 79107-5101 | ROW B | 6 | 5 | (24.19) | (22.00) | (3.00) |
| 10 | 79107-5102 | ROW A | 5 | 5 | (10.19) | (8.00) | (3.00) |
| 26 | 79107-5103 | ROW B | 5 | 5 | (26.19) | (24.00) | (3.00) |
| 20 | 79107-5104 | ROW A | 7 | 5 | (20.19) | (18.00) | (1.91) |
| 24 | 79107-5105 | ROW B | 10 | 5 | (24.19) | (22.00) | (1.91) |
| 20 | 79107-5106 | ROW A | 7 | 5 | (20.19) | (18.00) | (3.00) |
| 24 | 79107-5107 | ROW B | 10 | 5 | (24.19) | (22.00) | (3.00) |

"X" - DENOTES THE ITEM IS NOT AVAILABLE CURRENTLY.

NOTES

1. TERMINALS WILL BE PRESENT IN VOIDED LOCATIONS HOWEVER, PIN WINDOWS WILL BE CLOSED.
2. VOIDS CANNOT BE PRESENT IN BOTH ROWS ON A CONNECTOR.

| | | | | | | | | | |
|--|--|---|---|--|--|--|------------------------|------------------------|--|
| PDRS#1861, ADD 791075104, 5105, 5106, 5107 EC NO: S2009-0107 DRAWN AT SEE 2008/09/03 CHKD:SKANG 2008/09/15 APPR:MLONG 2008/09/15 REV H1 | QUALITY SYMBOLS | GENERAL TOLERANCES (UNLESS SPECIFIED) | | DIMENSION STYLE MM ONLY | | SCALE NTS | DESIGN UNITS METRIC | THIRD ANGLE PROJECTION | |
| | ▼=0 □=0 | 4 PLACES ± --- ± --- 3 PLACES ± --- ± --- 2 PLACES ± 0.25 ± --- 1 PLACE ± 0.38 ± --- ANGULAR ± 1/2° | mm INCH ± --- ± --- ± --- ± --- ± 0.25 ± --- ± 0.38 ± --- | DRAWN BY AAB CHECKED BY MJM APPROVED BY WAZ | DATE 1989/05/15 DATE 1989/05/15 DATE 1989/05/15 | TITLE 2MM DUAL ROW VERTICAL RECEPTACLE T/H | | | |
| | DRAFT WHERE APPLICABLE MUST REMAIN WITHIN DIMENSIONS | | SEE TABLE | | MOLEX INCORPORATED SDA-79107-**** | | | | |
| | | | | | MATERIAL NO. DOCUMENT NO. | | SHEET NO. 3 OF 3 | | |