

Type DPF High AC Current Polypropylene Film Capacitors

High Voltage Single and Series Section Film/Foil Polypropylene Capacitors

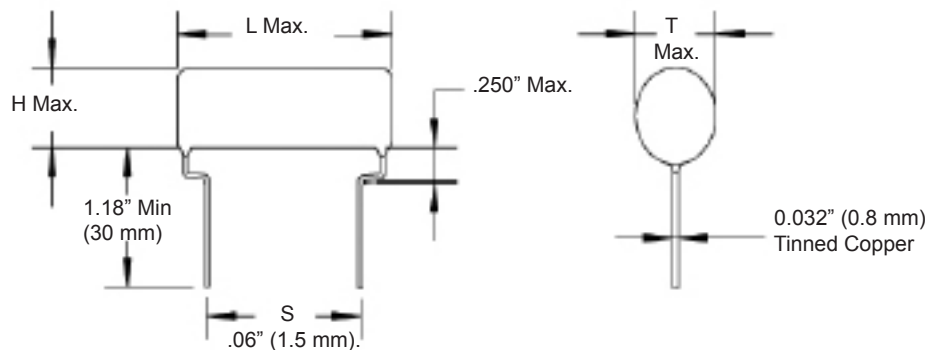


Type DPF radial leaded polypropylene film/foil capacitors feature single and series section construction. Part numbers with the “S” suffix have extended aluminum foil with a floating metallized film. Excellent temperature stability to 105 °C and low loss characteristics, make Type DPF ideal for high AC current and pulse applications.

Highlights

- High dv/dt
- High AC current
- Good for pulse applications
- Low DF

Outline Drawing



NOTE: Other capacitance values, sizes and performance specifications are available. Please contact CDE.

Specifications

RoHS Compliant

- Capacitance Range:** 0.001 to 0.47 μ F
- Voltage Range:** 200 to 1600 Vdc (155 to 500 Vac 60 Hz)
- Capacitance Tolerance:** \pm 10% standard, \pm 5% optional
- Operating Temperature Range:** -55 °C to +105 °C (derate linearly to 50% rated voltage at +105 °C)
- Dielectric Strength:** 250% (\leq 800 Vdc) 200% (1200 and 1600 Vdc) for 1 minute
- Dissipation Factor:** 0.10% Max. (+25 °C, 1 KHz)
- Insulation Resistance:** 50,000 M Ω $\cdot\mu$ F, 100,000 M Ω Min.
- Life Test:** 500 hr @ 85 °C @ 125% rated voltage
- Pulse Capability:**



Complies with the EU Directive 2002/95/EC requirement restricting the use of Lead (Pb), Mercury (Hg), Cadmium (Cd), Hexavalent chromium (Cr(VI)), PolyBrominated Biphenyls (PBB) and PolyBrominated Diphenyl Ethers (PBDE).

| Rated Volts | Body Length | | | |
|--|-------------|-----------|-------------|-------------|
| | .700-.750 | .900-.950 | 1.250-1.300 | 1.650-1.700 |
| dV/dt — volts per microsecond, maximum | | | | |
| 200 | 4600 | 2400 | 1400 | 720 |
| 400 | 6000 | 3200 | 1800 | 840 |
| 600 | 8000 | 6600 | 2800 | 1200 |
| 800 | | | 6000 | 3200 |
| 1200 | | | 6800 | 3200 |
| 1600 | | | 11600 | 6000 |

Type DPF High AC Current Polypropylene Film Capacitors

Ratings

RoHS Compliant

| Cap (μ F) | Catalog Part Number | T Max. Inches (mm) | H Max. Inches (mm) | L Max. Inches (mm) | S ± 0.06 (± 1.5) Inches (mm) |
|------------------------------------|------------------------|-----------------------|-----------------------|-----------------------|---|
| 200/250 Vdc (155 Vac 60 Hz) | | | | | |
| .0120 | DPFF2S12J-F | 0.37 (9.4) | 0.37 (9.4) | 0.75 (19.1) | 0.374 (9.5) |
| .0150 | DPFF2S15J-F | 0.37 (9.4) | 0.37 (9.4) | 0.75 (19.1) | 0.374 (9.5) |
| .0150 | DPFF2S15JS-F | 0.28 (7.1) | 0.34 (8.6) | 0.70 (17.8) | 0.374 (9.5) |
| .0180 | DPFF2S18J-F | 0.37 (9.4) | 0.37 (9.4) | 0.75 (19.1) | 0.374 (9.5) |
| .0220 | DPFF2S22J-F | 0.37 (9.4) | 0.37 (9.4) | 0.75 (19.1) | 0.374 (9.5) |
| .0220 | DPFF2S22JS-F | 0.31 (7.9) | 0.37 (9.4) | 0.70 (17.8) | 0.374 (9.5) |
| .0270 | DPFF2S27J-F | 0.42 (10.7) | 0.42 (10.7) | 0.75 (19.1) | 0.374 (9.5) |
| .0330 | DPFF2S33J-F | 0.42 (10.7) | 0.42 (10.7) | 0.75 (19.1) | 0.374 (9.5) |
| .0330 | DPFF2S33JS-F | 0.36 (9.1) | 0.42 (10.7) | 0.70 (17.8) | 0.374 (9.5) |
| .0390 | DPFF2S39J-F | 0.40 (10.2) | 0.40 (10.2) | 0.95 (24.1) | 0.374 (9.5) |
| .0470 | DPFF2S47J-F | 0.40 (10.2) | 0.40 (10.2) | 0.95 (24.1) | 0.374 (9.5) |
| .0470 | DPFF2S47JS-F | 0.34 (8.6) | 0.40 (10.2) | 0.90 (22.9) | 0.374 (9.5) |
| .0560 | DPFF2S56J-F | 0.45 (11.4) | 0.45 (11.4) | 0.95 (24.1) | 0.374 (9.5) |
| .0680 | DPFF2S68J-F | 0.45 (11.4) | 0.45 (11.4) | 0.95 (24.1) | 0.374 (9.5) |
| .0680 | DPFF2S68JS-F | 0.39 (9.9) | 0.45 (11.4) | 0.90 (22.9) | 0.374 (9.5) |
| .0820 | DPFF2S82J-F | 0.45 (11.4) | 0.45 (11.4) | 1.30 (33.0) | 0.72 (18.3) |
| .1000 | DPFF2P1J-F | 0.45 (11.4) | 0.45 (11.4) | 1.25 (31.8) | 0.72 (18.3) |
| .1000 | DPFF2P1JS-F | 0.38 (9.7) | 0.44 (11.2) | 1.25 (31.8) | 0.72 (18.3) |
| .1200 | DPFF2P12J-F | 0.55 (14.0) | 0.55 (14.0) | 1.30 (33.0) | 0.72 (18.3) |
| .1500 | DPFF2P15J-F | 0.55 (14.0) | 0.55 (14.0) | 1.30 (33.0) | 0.72 (18.3) |
| .1500 | DPFF2P15JS-F | 0.44 (11.2) | 0.50 (12.7) | 1.25 (31.8) | 0.72 (18.3) |
| .1800 | DPFF2P18J-F | 0.62 (15.7) | 0.62 (15.7) | 1.30 (33.0) | 0.72 (18.3) |
| .2200 | DPFF2P22J-F | 0.62 (15.7) | 0.62 (15.7) | 1.30 (33.0) | 0.72 (18.3) |
| .2200 | DPFF2P22JS-F | 0.51 (13.0) | 0.57 (14.5) | 1.25 (31.8) | 0.72 (18.3) |
| .2700 | DPFF2P27J-F | 0.65 (16.5) | 0.65 (14.5) | 1.70 (43.2) | 1.095 (27.8) |
| .3300 | DPFF2P33J-F | 0.65 (16.5) | 0.65 (14.5) | 1.65 (41.9) | 1.095 (27.8) |
| .3300 | DPFF2P33JS-F | 0.53 (13.5) | 0.59 (15.0) | 1.65 (41.9) | 1.095 (27.8) |
| .3900 | DPFF2P39J-F | 0.75 (19.1) | 0.75 (19.1) | 1.70 (43.2) | 1.095 (27.8) |
| .4700 | DPFF2P47J-F | 0.75 (19.1) | 0.75 (19.1) | 1.70 (43.2) | 1.095 (27.8) |
| .4700 | DPFF2P47JS-F | 0.6 (15.2) | 0.66 (168) | 1.65 (41.9) | 1.095 (27.8) |
| 400 Vdc (200 Vac 60 Hz) | | | | | |
| .0039 | DPFF4D39J-F | 0.40 (10.2) | 0.40 (10.2) | 0.75 (19.1) | 0.374 (9.5) |
| .0047 | DPFF4D47J-F | 0.40 (10.2) | 0.40 (10.2) | 0.75 (19.1) | 0.374 (9.5) |
| .0056 | DPFF4D56J-F | 0.40 (10.2) | 0.40 (10.2) | 0.75 (19.1) | 0.374 (9.5) |
| .0068 | DPFF4D68J-F | 0.40 (10.2) | 0.40 (10.2) | 0.75 (19.1) | 0.374 (9.5) |
| .0082 | DPFF4D82J-F | 0.40 (10.2) | 0.40 (10.2) | 0.75 (19.1) | 0.374 (9.5) |
| .0100 | DPFF4S1J-F | 0.40 (10.2) | 0.40 (10.2) | 0.75 (19.1) | 0.374 (9.5) |
| .0120 | DPFF4S12J-F | 0.45 (11.4) | 0.45 (11.4) | 0.75 (19.1) | 0.374 (9.5) |
| .0150 | DPFF4S15J-F | 0.45 (11.4) | 0.45 (11.4) | 0.75 (19.1) | 0.374 (9.5) |
| .0150 | DPFF4S15JS-F | 0.34 (8.6) | 0.40 (10.2) | 0.70 (17.8) | 0.374 (9.5) |
| .0180 | DPFF4S18J-F | 0.45 (11.4) | 0.45 (11.4) | 0.95 (24.1) | 0.374 (9.5) |
| .0220 | DPFF4S22J-F | 0.45 (11.4) | 0.45 (11.4) | 0.95 (24.1) | 0.374 (9.5) |
| .0270 | DPFF4S27J-F | 0.50 (12.7) | 0.50 (12.7) | 0.95 (24.1) | 0.374 (9.5) |
| .0330 | DPFF4S33J-F | 0.50 (12.7) | 0.50 (12.7) | 0.95 (24.1) | 0.374 (9.5) |
| .0330 | DPFF4S33JS-F | 0.38 (9.7) | 0.44 (11.2) | 0.90 (22.9) | 0.374 (9.5) |
| .0390 | DPFF4S39J-F | 0.50 (12.7) | 0.50 (12.7) | 1.30 (33.0) | 0.72 (18.3) |

| Cap (μ F) | Catalog Part Number | T Max. Inches (mm) | H Max. Inches (mm) | L Max. Inches (mm) | S ± 0.06 (± 1.5) Inches (mm) |
|------------------------------------|------------------------|-----------------------|-----------------------|-----------------------|---|
| 400 Vdc (200 Vac 60 Hz) | | | | | |
| .0470 | DPFF4S47J-F | 0.50 (12.7) | 0.50 (12.7) | 1.30 (33.0) | 0.72 (18.3) |
| .0560 | DPFF4S56J-F | 0.55 (14.0) | 0.55 (14.0) | 1.30 (33.0) | 0.72 (18.3) |
| .0680 | DPFF4S68J-F | 0.55 (14.0) | 0.55 (14.0) | 1.30 (33.0) | 0.72 (18.3) |
| .0820 | DPFF4S82J-F | 0.60 (15.2) | 0.60 (15.2) | 1.30 (33.0) | 0.72 (18.3) |
| .1000 | DPFF4P1J-F | 0.60 (15.2) | 0.60 (15.2) | 1.30 (33.0) | 0.72 (18.3) |
| .1200 | DPFF4P12J-F | 0.65 (16.5) | 0.65 (16.5) | 1.30 (33.0) | 0.72 (18.3) |
| .1500 | DPFF4P15J-F | 0.65 (16.5) | 0.65 (16.5) | 1.30 (33.0) | 0.72 (18.3) |
| .1500 | DPFF4P15JS-F | 0.56 (14.2) | 0.62 (15.7) | 1.25 (31.8) | 0.72 (18.3) |
| .1800 | DPFF4P18J-F | 0.70 (17.8) | 0.70 (17.8) | 1.70 (43.2) | 1.095 (27.8) |
| .2200 | DPFF4P22J-F | 0.70 (17.8) | 0.70 (17.8) | 1.70 (43.2) | 1.095 (27.8) |
| .2200 | DPFF4P22JS-F | 0.58 (14.7) | 0.64 (16.3) | 1.65 (41.9) | 1.095 (27.8) |
| .2700 | DPFF4P27J-F | 0.80 (20.3) | 0.80 (20.3) | 1.70 (43.2) | 1.095 (27.8) |
| .3300 | DPFF4P33J-F | 0.80 (20.3) | 0.80 (20.3) | 1.70 (43.2) | 1.095 (27.8) |
| .3300 | DPFF4P33JS-F | 0.70 (17.8) | 0.76 (19.3) | 1.65 (41.9) | 1.095 (27.8) |
| .3900 | DPFF4P39J-F | 0.90 (22.9) | 0.90 (22.9) | 1.70 (43.2) | 1.095 (27.8) |
| .4700 | DPFF4P47J-F | 0.90 (22.9) | 0.90 (22.9) | 1.70 (43.2) | 1.095 (27.8) |
| .4700 | DPFF4P47JS-F | 0.82 (20.8) | 0.88 (22.4) | 1.65 (41.9) | 1.095 (27.8) |
| 600/630 Vdc (200 Vac 60 Hz) | | | | | |
| .0010 | DPFF6D1J-F | 0.40 (10.2) | 0.40 (10.2) | 0.75 (19.1) | 0.374 (9.5) |
| .0012 | DPFF6D12J-F | 0.40 (10.2) | 0.40 (10.2) | 0.75 (19.1) | 0.374 (9.5) |
| .0015 | DPFF6D15J-F | 0.40 (10.2) | 0.40 (10.2) | 0.75 (19.1) | 0.374 (9.5) |
| .0015 | DPFF6D15JS-F | 0.32 (8.1) | 0.36 (9.1) | 0.70 (17.8) | 0.374 (9.5) |
| .0018 | DPFF6D18J-F | 0.40 (10.2) | 0.40 (10.2) | 0.75 (19.1) | 0.374 (9.5) |
| .0022 | DPFF6D22J-F | 0.40 (10.2) | 0.40 (10.2) | 0.75 (19.1) | 0.374 (9.5) |
| .0027 | DPFF6D27J-F | 0.40 (10.2) | 0.40 (10.2) | 0.75 (19.1) | 0.374 (9.5) |
| .0033 | DPFF6D33J-F | 0.40 (10.2) | 0.40 (10.2) | 0.75 (19.1) | 0.374 (9.5) |
| .0033 | DPFF6D33JS-F | 0.32 (8.1) | 0.36 (9.1) | 0.70 (17.8) | 0.374 (9.5) |
| .0039 | DPFF6D39J-F | 0.45 (11.4) | 0.45 (11.4) | 0.75 (19.1) | 0.374 (9.5) |
| .0047 | DPFF6D47J-F | 0.45 (11.4) | 0.45 (11.4) | 0.75 (19.1) | 0.374 (9.5) |
| .0047 | DPFF6D47JS-F | 0.34 (8.6) | 0.38 (9.7) | 0.70 (17.8) | 0.374 (9.5) |
| .0056 | DPFF6D56J-F | 0.45 (11.4) | 0.45 (11.4) | 0.75 (19.1) | 0.374 (9.5) |
| .0068 | DPFF6D68J-F | 0.45 (11.4) | 0.45 (11.4) | 0.75 (19.1) | 0.374 (9.5) |
| .0068 | DPFF6D68JS-F | 0.38 (9.7) | 0.42 (10.7) | 0.70 (17.8) | 0.374 (9.5) |
| .0082 | DPFF6D82J-F | 0.45 (11.4) | 0.45 (11.4) | 0.95 (24.1) | 0.374 (9.5) |
| .0100 | DPFF6S1J-F | 0.45 (11.4) | 0.45 (11.4) | 0.95 (24.1) | 0.374 (9.5) |
| .0100 | DPFF6S1JS-F | 0.36 (8.1) | 0.40 (10.2) | 0.90 (22.9) | 0.374 (9.5) |
| .0120 | DPFF6S12J-F | 0.50 (12.7) | 0.50 (12.7) | 0.95 (24.1) | 0.374 (9.5) |
| .0150 | DPFF6S15J-F | 0.50 (12.7) | 0.50 (12.7) | 0.95 (24.1) | 0.374 (9.5) |
| .0150 | DPFF6S15JS-F | 0.42 (10.7) | 0.46 (11.7) | 0.90 (22.9) | 0.374 (9.5) |
| .0180 | DPFF6S18J-F | 0.55 (14.0) | 0.55 (14.0) | 0.95 (24.1) | 0.374 (9.5) |
| .0220 | DPFF6S22J-F | 0.55 (14.0) | 0.55 (14.0) | 0.95 (24.1) | 0.374 (9.5) |
| .0220 | DPFF6S22JS-F | 0.48 (12.2) | 0.52 (13.2) | 0.90 (22.9) | 0.374 (9.5) |
| .0270 | DPFF6S27J-F | 0.55 (14.0) | 0.55 (14.0) | 1.30 (33.0) | 0.72 (18.3) |
| .0270 | DPFF6S27JS-F | 0.43 (10.9) | 0.47 (11.9) | 1.25 (31.8) | 0.72 (18.3) |
| .0330 | DPFF6S33J-F | 0.55 (14.0) | 0.55 (14.0) | 1.30 (33.0) | 0.72 (18.3) |
| .0390 | DPFF6S39J-F | 0.60 (15.2) | 0.60 (15.2) | 1.30 (33.0) | 0.72 (18.3) |

Type DPFF High AC Current Polypropylene Film Capacitors

RoHS Compliant

| Cap (μ F) | Catalog Part Number | T Max. Inches (mm) | H Max. Inches (mm) | L Max. Inches (mm) | S ± 0.06 (± 1.5) Inches (mm) |
|------------------------------------|------------------------|-----------------------|-----------------------|-----------------------|---|
| 600/630 Vdc (200 Vac 60 Hz) | | | | | |
| .0470 | DPFF6S47J-F | 0.60 (15.2) | 0.60 (15.2) | 1.30 (33.0) | 0.72 (18.3) |
| .0560 | DPFF6S56J-F | 0.65 (16.5) | 0.65 (16.5) | 1.30 (33.0) | 0.72 (18.3) |
| .0680 | DPFF6S68J-F | 0.65 (16.5) | 0.65 (16.5) | 1.30 (33.0) | 0.72 (18.3) |
| .0680 | DPFF6S68JS-F | 0.60 (15.2) | 0.64 (16.3) | 1.25 (31.8) | 0.72 (18.3) |
| .0820 | DPFF6S82J-F | 0.75 (16.0) | 0.75 (16.0) | 1.30 (33.0) | 0.72 (18.3) |
| .1000 | DPFF6P1J-F | 0.75 (16.0) | 0.75 (16.0) | 1.30 (33.0) | 0.72 (18.3) |
| .1000 | DPFF6P1JS-F | 0.71 (18.0) | 0.75 (16.0) | 1.25 (31.8) | 0.72 (18.3) |
| .1200 | DPFF6P12J-F | 0.75 (19.0) | 0.75 (19.0) | 1.70 (43.2) | 1.095 (27.8) |
| .1500 | DPFF6P15J-F | 0.75 (19.0) | 0.75 (19.0) | 1.70 (43.2) | 1.095 (27.8) |
| .1500 | DPFF6P15JS-F | 0.71 (18.0) | 0.75 (19.0) | 1.65 (41.9) | 1.095 (27.8) |
| .1800 | DPFF6P18J-F | 0.85 (21.6) | 0.85 (21.6) | 1.70 (43.2) | 1.095 (27.8) |
| .2200 | DPFF6P22J-F | 0.85 (21.6) | 0.85 (21.6) | 1.70 (43.2) | 1.095 (27.8) |
| .2200 | DPFF6P22JS-F | 0.83 (21.1) | 0.85 (21.6) | 1.65 (41.9) | 1.095 (27.8) |
| 800 Vdc (450 Vac 60 Hz) | | | | | |
| .0056 | DPFF8D56J-F | 0.50 (12.7) | 0.50 (12.7) | 1.30 (33.0) | 0.72 (18.3) |
| .0056 | DPFF8D56JS-F | 0.28 (7.1) | 0.34 (8.6) | 1.25 (31.8) | 0.72 (18.3) |
| .0068 | DPFF8D68J-F | 0.50 (12.7) | 0.50 (12.7) | 1.30 (33.0) | 0.72 (18.3) |
| .0082 | DPFF8D82J-F | 0.50 (12.7) | 0.50 (12.7) | 1.30 (33.0) | 0.72 (18.3) |
| .0100 | DPFF8S1J-F | 0.50 (12.7) | 0.50 (12.7) | 1.30 (33.0) | 0.72 (18.3) |
| .0100 | DPFF8S1JS-F | 0.50 (12.7) | 0.50 (12.7) | 1.30 (33.0) | 0.72 (18.3) |
| .0120 | DPFF8S12J-F | 0.55 (14.0) | 0.55 (14.0) | 1.30 (33.0) | 0.72 (18.3) |
| .0120 | DPFF8S12JS-F | 0.35 (8.9) | 0.41 (10.4) | 1.25 (31.8) | 0.72 (18.3) |
| .0150 | DPFF8S15J-F | 0.55 (14.0) | 0.55 (14.0) | 1.30 (33.0) | 0.72 (18.3) |
| .0150 | DPFF8S15JS-F | 0.38 (9.7) | 0.44 (11.2) | 1.25 (31.8) | 0.72 (18.3) |
| .0180 | DPFF8S18J-F | 0.60 (15.2) | 0.60 (15.2) | 1.30 (33.0) | 0.72 (18.3) |
| .0220 | DPFF8S22J-F | 0.60 (15.2) | 0.60 (15.2) | 1.30 (33.0) | 0.72 (18.3) |
| .0220 | DPFF8S22JS-F | 0.44 (11.2) | 0.50 (12.7) | 1.25 (31.8) | 0.72 (18.3) |
| .0270 | DPFF8S27J-F | 0.70 (17.8) | 0.70 (17.8) | 1.30 (33.0) | 0.72 (18.3) |
| .0330 | DPFF8S33J-F | 0.70 (17.8) | 0.70 (17.8) | 1.30 (33.0) | 0.72 (18.3) |
| .0330 | DPFF8S33JS-F | 0.51 (13.0) | 0.57 (14.5) | 1.25 (31.8) | 0.72 (18.3) |
| .0390 | DPFF8S39J-F | 0.70 (17.8) | 0.70 (17.8) | 1.70 (43.2) | 1.095 (27.8) |
| .0470 | DPFF8S47J-F | 0.70 (17.8) | 0.70 (17.8) | 1.70 (43.2) | 1.095 (27.8) |
| .0560 | DPFF8S56J-F | 0.80 (20.3) | 0.80 (20.3) | 1.70 (43.2) | 1.095 (27.8) |
| .0680 | DPFF8S68J-F | 0.80 (20.3) | 0.80 (20.3) | 1.70 (43.2) | 1.095 (27.8) |
| .0680 | DPFF8S68JS-F | 0.58 (14.7) | 0.64 (16.3) | 1.65 (41.9) | 1.095 (27.8) |
| .0820 | DPFF8S82J-F | 0.90 (22.9) | 0.90 (22.9) | 1.70 (43.2) | 1.095 (27.8) |
| .1000 | DPFF8P1J-F | 0.90 (22.9) | 0.90 (22.9) | 1.70 (43.2) | 1.095 (27.8) |
| .1000 | DPFF8P1JS-F | 0.67 (17.0) | 0.73 (18.5) | 1.65 (41.9) | 1.095 (27.8) |
| 1200 Vdc (475 Vac 60 Hz) | | | | | |
| .0027 | DPFF12D27J-F | 0.50 (12.7) | 0.50 (12.7) | 1.30 (33.0) | 0.72 (18.3) |
| .0033 | DPFF12D33J-F | 0.50 (12.7) | 0.50 (12.7) | 1.30 (33.0) | 0.72 (18.3) |
| .0039 | DPFF12D39J-F | 0.50 (12.7) | 0.50 (12.7) | 1.30 (33.0) | 0.72 (18.3) |
| .0047 | DPFF12D47J-F | 0.50 (12.7) | 0.50 (12.7) | 1.30 (33.0) | 0.72 (18.3) |
| .0056 | DPFF12D56J-F | 0.55 (14.0) | 0.55 (14.0) | 1.30 (33.0) | 0.72 (18.3) |
| .0068 | DPFF12D68J-F | 0.55 (14.0) | 0.55 (14.0) | 1.30 (33.0) | 0.72 (18.3) |
| .0082 | DPFF12D82J-F | 0.60 (15.2) | 0.60 (15.2) | 1.30 (33.0) | 0.72 (18.3) |

| Cap (μ F) | Catalog Part Number | T Max. Inches (mm) | H Max. Inches (mm) | L Max. Inches (mm) | S ± 0.06 (± 1.5) Inches (mm) |
|---------------------------------|------------------------|-----------------------|-----------------------|-----------------------|---|
| 1200 Vdc (475 Vac 60 Hz) | | | | | |
| .0100 | DPFF12S1J-F | 0.60 (15.2) | 0.60 (15.2) | 1.30 (33.0) | 0.72 (18.3) |
| .0120 | DPFF12S12J-F | 0.65 (16.5) | 0.65 (16.5) | 1.30 (33.0) | 0.72 (18.3) |
| .0150 | DPFF12S15J-F | 0.65 (16.5) | 0.65 (16.5) | 1.30 (33.0) | 0.72 (18.3) |
| .0150 | DPFF12S15JS-F | 0.55 (14.0) | 0.61 (15.5) | 1.25 (31.8) | 0.72 (18.3) |
| .0180 | DPFF12S18J-F | 0.65 (16.5) | 0.65 (16.5) | 1.30 (33.0) | 1.095 (27.8) |
| .0220 | DPFF12S22J-F | 0.65 (16.5) | 0.65 (16.5) | 1.30 (33.0) | 1.095 (27.8) |
| .0270 | DPFF12S27J-F | 0.75 (16.0) | 0.75 (16.0) | 1.70 (43.2) | 1.095 (27.8) |
| .0330 | DPFF12S33J-F | 0.75 (16.0) | 0.75 (16.0) | 1.70 (43.2) | 1.095 (27.8) |
| .0390 | DPFF12S39J-F | 0.85 (21.6) | 0.85 (21.6) | 1.70 (43.2) | 1.095 (27.8) |
| .0390 | DPFF12S39JS-F | 0.68 (17.3) | 0.74 (18.8) | 1.65 (41.9) | 1.095 (27.8) |
| .0470 | DPFF12S47J-F | 0.85 (21.6) | 0.85 (21.6) | 1.70 (43.2) | 1.095 (27.8) |
| 1600 Vdc (500 Vac 60 Hz) | | | | | |
| .0010 | DPFF16D1JS-F | 0.29 (7.4) | 0.33 (8.4) | 1.25 (31.8) | 0.72 (18.3) |
| .0012 | DPFF16D12JS-F | 0.30 (7.6) | 0.34 (8.6) | 1.25 (31.8) | 0.72 (18.3) |
| .0015 | DPFF16D15JS-F | 0.32 (8.1) | 0.36 (9.1) | 1.25 (31.8) | 0.72 (18.3) |
| .0018 | DPFF16D18J-F | 0.50 (12.7) | 0.50 (12.7) | 1.30 (33.0) | 0.72 (18.3) |
| .0022 | DPFF16D22J-F | 0.50 (12.7) | 0.50 (12.7) | 1.30 (33.0) | 0.72 (18.3) |
| .0022 | DPFF16D22JS-F | 0.35 (8.9) | 0.39 (9.9) | 1.25 (31.8) | 0.72 (18.3) |
| .0027 | DPFF16D27J-F | 0.55 (14.0) | 0.55 (14.0) | 1.30 (33.0) | 0.72 (18.3) |
| .0033 | DPFF16D33J-F | 0.55 (14.0) | 0.55 (14.0) | 1.30 (33.0) | 0.72 (18.3) |
| .0033 | DPFF16D33JS-F | 0.40 (10.2) | 0.44 (11.2) | 1.25 (31.8) | 0.72 (18.3) |
| .0039 | DPFF16D39J-F | 0.60 (15.2) | 0.60 (15.2) | 1.30 (33.0) | 0.72 (18.3) |
| .0047 | DPFF16D47J-F | 0.60 (15.2) | 0.60 (15.2) | 1.30 (33.0) | 0.72 (18.3) |
| .0047 | DPFF16D47JS-F | 0.46 (11.7) | 0.50 (12.7) | 1.25 (31.8) | 0.72 (18.3) |
| .0056 | DPFF16D56J-F | 0.65 (16.5) | 0.65 (16.5) | 1.30 (33.0) | 0.72 (18.3) |
| .0068 | DPFF16D68J-F | 0.65 (16.5) | 0.65 (16.5) | 1.30 (33.0) | 0.72 (18.3) |
| .0068 | DPFF16D68JS-F | 0.52 (13.2) | 0.56 (14.2) | 1.25 (31.8) | 0.72 (18.3) |
| .0082 | DPFF16D82J-F | 0.70 (17.8) | 0.70 (17.8) | 1.30 (33.0) | 0.72 (18.3) |
| .0100 | DPFF16S1J-F | 0.70 (17.8) | 0.70 (17.8) | 1.30 (33.0) | 0.72 (18.3) |
| .0100 | DPFF16S1JS-F | 0.61 (15.5) | 0.65 (16.5) | 1.25 (31.8) | 0.72 (18.3) |
| .0120 | DPFF16S12J-F | 0.75 (19.1) | 0.75 (19.1) | 1.70 (43.2) | 1.095 (27.8) |
| .0150 | DPFF16S15J-F | 0.75 (19.1) | 0.75 (19.1) | 1.70 (43.2) | 1.095 (27.8) |
| .0150 | DPFF16S15JS-F | 0.59 (15.0) | 0.63 (16.0) | 1.65 (41.9) | 1.095 (27.8) |
| .0180 | DPFF16S18J-F | 0.85 (21.6) | 0.85 (21.6) | 1.70 (43.2) | 1.095 (27.8) |
| .0220 | DPFF16S22J-F | 0.85 (21.6) | 0.85 (21.6) | 1.70 (43.2) | 1.095 (27.8) |
| .0270 | DPFF16S27J-F | 0.95 (24.1) | 0.95 (24.1) | 1.70 (43.2) | 1.095 (27.8) |
| 0.033 | DPFF16S33J-F | 0.95 (24.1) | 0.95 (24.1) | 1.70 (43.2) | 1.095 (27.8) |
| 0.033 | DPFF16S33JS-F | 0.81 (20.6) | 0.85 (21.6) | 1.65 (41.9) | 1.095 (27.8) |