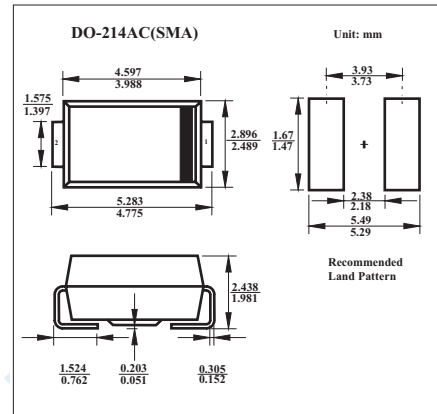


Schottky Rectifiers

KS12 - KS100
(SS12 - SS100)

■ Features

- Glass passivated junctions.
- High current capability, low V_F .
- For use in low voltage, high frequency inverters free wheeling, and polarity protection applications.

■ Absolute Maximum Ratings $T_a = 25^\circ\text{C}$ unless otherwise noted

Parameter	Symbol	KS12	KS13	KS14	KS15	KS16	KS18	KS19	KS100	Unit
Maximum Repetitive Reverse Voltage	V_{RRM}	20	30	40	50	60	80	90	100	V
Average Rectified Forward Current .375" lead length @ $T_A = 75^\circ\text{C}$	$I_{F(AV)}$	1.0								A
Non-repetitive Peak Forward Surge Current 8.3 ms Single Half-Sine-Wave	I_{FSM}	40								A
Storage Temperature Range	T_{stg}	-65 to +150								$^\circ\text{C}$
Operating Junction Temperature	T_J	-65 to +125								$^\circ\text{C}$
Power Dissipation	P_D	1.1								W
Thermal Resistance, Junction to Ambient *	$R_{\theta JA}$	88								$^\circ\text{C/W}$

*Device mounted on FR-4 PCB 0.013 mm.

■ Electrical Characteristics $T_a = 25^\circ\text{C}$ unless otherwise noted

Parameter	Symbol	KS12	KS13	KS14	KS15	KS16	KS18	KS19	KS100	Units	
Forward Voltage @ 1.0 A	V_F	500			700		850			mV	
Reverse Current @ rated V_R $T_A = 25^\circ\text{C}$	I_R	0.2									mA
$T_A = 100^\circ\text{C}$		10									mA