

PLEASE CHECK WWW.MOLEX.COM FOR LATEST PART INFORMATION

Part Number: **0561888000**
Status: **Active**
Description: 3.30mm (.130") Pitch Crimp Terminal 56188, Female, 22-26 AWG, Reel, for 51284/51347 Housings

Documents:

3D Model	Product Specification PS-51284-002 (PDF)
Drawing (PDF)	Product Specification PS-51347-001 (PDF)
Product Specification PS-51284-001 (PDF)	RoHS Certificate of Compliance (PDF)

General

Product Family	Crimp Terminals
Series	56188
Crimp Quality Equipment	Yes
Product Name	N/A

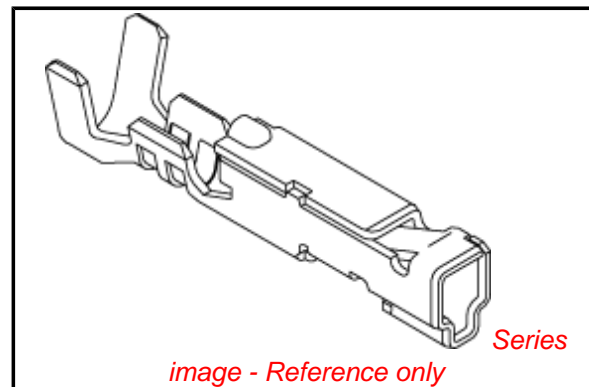
Physical

Gender	Female
Material - Metal	Phosphor Bronze
Material - Plating Mating	Tin
Material - Plating Termination	Tin
Packaging Type	Reel
Plating min: Mating (µin)	36
Plating min: Mating (µm)	0.90
Plating min: Termination (µin)	36
Plating min: Termination (µm)	0.90
Termination Interface: Style	Crimp or Compression
Wire Insulation Diameter	1.70mm (.067") max.
Wire Size AWG	22, 24, 26
Wire Size mm ²	N/A

Material Info

Reference - Drawing Numbers

Product Specification	PS-51284-001, PS-51284-002, PS-51347-001, RPS-51284-003, RPS-51284-004, RPS-51284-006, RPS-51284-007, RPS-51284-008, RPS-51284-009, RPS-51284-010, RPS-51347-004, RPS-51347-005, RPS-51347-006, RPS-51347-007
Sales Drawing	SD-56188-002



EU RoHS

ELV and RoHS Compliant
REACH SVHC Contains SVHC: No
Halogen-Free Status
Not Reviewed

China RoHS



Need more information on product environmental compliance?

Email productcompliance@molex.com
 For a multiple part number RoHS Certificate of Compliance, [click here](#)

Please visit the [Contact Us](#) section for any non-product compliance questions.

Search Parts in this Series

56188Series

Mates With

56265 , 56279

Use With

51284 , 51347

Application Tooling | FAQ

Tooling specifications and manuals are found by selecting the products below. Crimp Height Specifications are then contained in the Application Tooling Specification document.

Japan

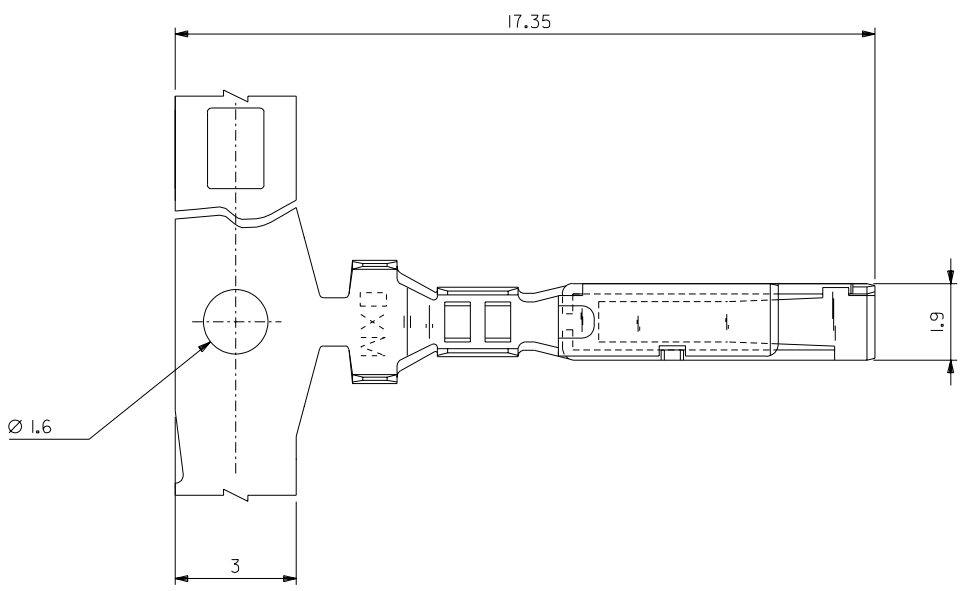
Description	Product #
--------------------	------------------

Applicator for M21 1A	0574113000
Bench Press,	
18-26 AWG, for	
56187/56188/56265/56279/500989/501395/501397	
Crimp Terminal	

This document was generated on 03/29/2010

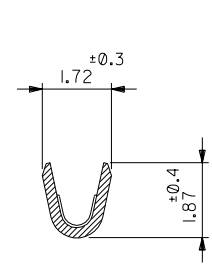
PLEASE CHECK WWW.MOLEX.COM FOR LATEST PART INFORMATION

DWG. NO. SD-56188-002

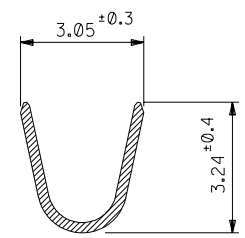


注記
NOTES

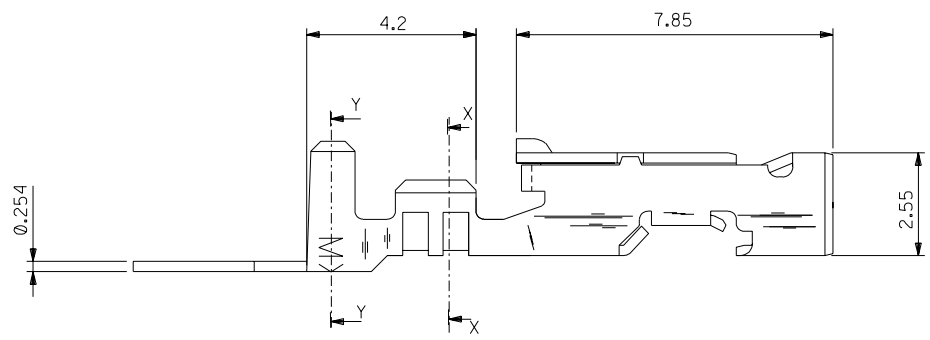
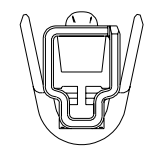
1. 使用材料 : リン青銅, 錫メッキ (t=0.254)
MATERIAL : PRE-TINNED PHOSPHOR BRONZE (t=0.254)
2. 適合ハウジング : 51284&51347シリーズ
APPLICABLE HOUSING : 51284 & 51347 SERIES



SECT. X-X



SECT. Y-Y



56188-8100	バラ状 LOOSE
56188-8000	連鎖状 CHAIN
MATERIAL NO.	端子形状 FORM

DO NOT SCALE DRAWING

64NO. DRWN: CH'K: APPR: 63NO. DRWN: CH'K: APPR: 62NO. DRWN: CH'K: APPR: REVISED 61NO. J2003-2363 DRWN: H.II CH'K: K.ASAKAWA APPR: T.YAMAGUCHI RELEASED 60NO. J2002-2040 DRWN: H.II '02/02/18 CH'K: K.ASAKAWA APPR: T.YAMAGUCHI	MATERIAL 材料 注記参照 SEE NOTES FINISH 仕上げ //	WIRE RANGE 適用線径範囲 AWG #22 - #26	GENERAL TOLERANCES: (UNLESS SPECIFIED) 一般公差 10 UNDER 未満 ±0.2 10 OVER 30 UNDER 未満 ±0.25 30 OVER 以上 ±0.3 ANGLE 角度 ±3°	SCALE 未満	DESIGN UNITS <input checked="" type="checkbox"/> mm <input type="checkbox"/> INCH	PROJECTION <input checked="" type="checkbox"/> FIRST ANGLE <input type="checkbox"/> THIRD ANGLE	DIMENSIONS: <input type="checkbox"/> mm <input type="checkbox"/> INCH <input checked="" type="checkbox"/> mm ONLY	SHT 1 OF 1	REV CAD ONLY
				INS. RANGE 被覆外径 Ø1.7MAX.	DRAWN BY & DATE H.II '02/02/18	CHECKED BY & DATE K.ASAKAWA '02/02/18	APPROVED BY & DATE T.YAMAGUCHI '02/02/18	TITLE: 3.3 mm WIRE TO BOARD CONN. CRIMP RECEPTACLE	MOLEX MOLEX INCORPORATED

56188-8*00		MODEL NO.	DIMENSIONS:		SHT	REV
SCALE	DESIGN UNITS	PROJECTION	<input type="checkbox"/> mm <input type="checkbox"/> INCH	<input checked="" type="checkbox"/> mm ONLY	1 OF 1	CAD ONLY
DRAWN BY & DATE H.II '02/02/18		TITLE: 3.3 mm WIRE TO BOARD CONN. CRIMP RECEPTACLE				
CHECKED BY & DATE K.ASAKAWA '02/02/18		MOLEX MOLEX INCORPORATED				
APPROVED BY & DATE T.YAMAGUCHI '02/02/18		MATERIAL NO. SEE CHART	DRAWING NO. SD-56188-002	SHEET NO. 1 OF 1	SIZE B	
THIS DRAWING CONTAINS INFORMATION THAT IS PROPRIETARY TO MOLEX INCORPORATED AND SHOULD NOT BE USED WITHOUT WRITTEN PERMISSION.						