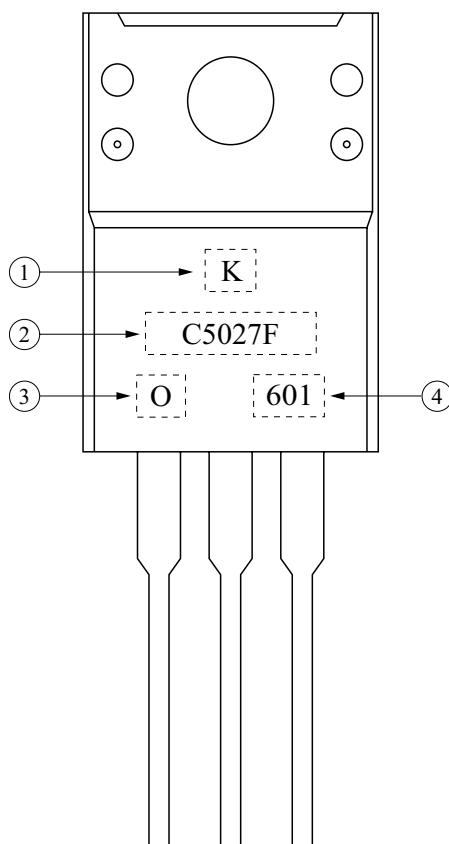


1. Marking method

Laser Marking or Ink Marking.

2. Marking



No.	Item	Marking	Description		
1	KEC	K	KEC CORP.		
2	Device Name	C5027F	KTC5027F		
3	hFE Grade	O	N,R,O		
4	Lot No.	601	6	Year	0~9 : 2000~2009
			01	Week	01 : 01st Week