



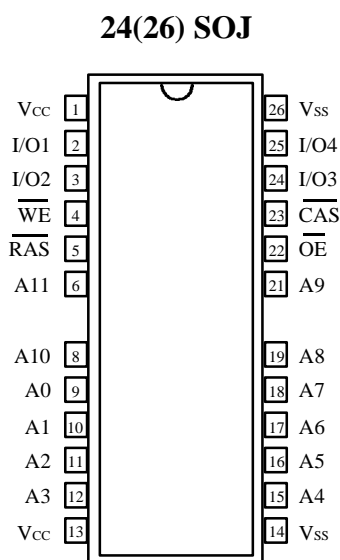
# GM71C(S)16400C/CL

4,194,304 WORDS x 4 BIT  
CMOS DYNAMIC RAM

## Description

The GM71C(S)16400C/CL is the new generation dynamic RAM organized 4,194,304 words x 4 bit. GM71C(S)16400C/CL has realized higher density, higher performance and various functions by utilizing advanced CMOS process technology. The GM71C(S)16400C/CL offers Fast Page Mode as a high speed access mode. Multiplexed address inputs permit the GM71C(S)16400C/CL to be packaged in a standard 300 mil 24(26) pin SOJ, and a standard 300 mil 24(26) pin plastic TSOP II. The package size provides high system bit densities and is compatible with widely available automated testing and insertion equipment. System oriented features include single power supply 5V+/-10% tolerance, direct interfacing capability with high performance logic families such as Schottky TTL.

## Pin Configuration



## Features

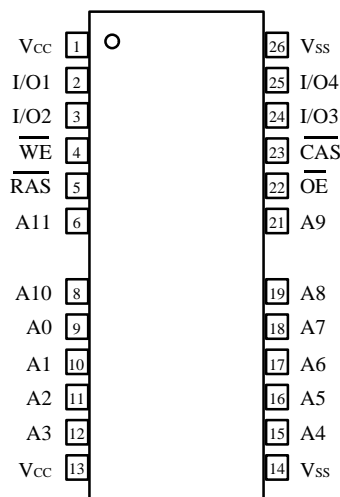
- \* 4,194,304 Words x 4 Bit Organization
- \* Fast Page Mode Capability
- \* Single Power Supply (5V+/-10%)
- \* Fast Access Time & Cycle Time

(Unit: ns)

|                     | t <sub>RAC</sub> | t <sub>CAC</sub> | t <sub>RC</sub> | t <sub>PC</sub> |
|---------------------|------------------|------------------|-----------------|-----------------|
| GM71C(S)16400C/CL-5 | 50               | 13               | 90              | 35              |
| GM71C(S)16400C/CL-6 | 60               | 15               | 110             | 40              |
| GM71C(S)16400C/CL-7 | 70               | 18               | 130             | 45              |

- \* Low Power  
Active : 495/440/385mW (MAX)  
Standby : 11mW (CMOS level : MAX)  
: 0.83mW (L-version : MAX)
- \* RAS Only Refresh, CAS before RAS Refresh, Hidden Refresh Capability
- \* All inputs and outputs TTL Compatible
- \* 4096 Refresh Cycles/64ms
- \* 4096 Refresh Cycles/128ms(L-version)
- \* Battery backup operation (L-version)
- \* Test function : 16bit parallel test mode

## 24(26) TSOP II



(Top View)

**Pin Description**

| Pin              | Function               | Pin             | Function      |
|------------------|------------------------|-----------------|---------------|
| A0-A11           | Address Inputs         | $\overline{WE}$ | Write Enable  |
| A0-A11           | Refresh Address Inputs | $\overline{OE}$ | Output Enable |
| I/O1-I/O4        | Data-input/Data-output | V <sub>CC</sub> | Power (+5.0V) |
| $\overline{RAS}$ | Row Address Strobe     | V <sub>SS</sub> | Ground        |
| $\overline{CAS}$ | Column Address Strobe  | NC              | No Connection |

**Ordering Information**

| Type No.  | Access Time          | Package                                  |
|---|----------------------|--|
| GM71C(S)16400CJ/CLJ-5<br>GM71C(S)16400CJ/CLJ-6<br>GM71C(S)16400CJ/CLJ-7 | 50ns<br>60ns<br>70ns | 300 Mil<br>24(26) Pin<br>Plastic SOJ     |
| GM71C(S)16400CT/CLT-5<br>GM71C(S)16400CT/CLT-6<br>GM71C(S)16400CT/CLT-7 | 50ns<br>60ns<br>70ns | 300 Mil<br>24(26) Pin<br>Plastic TSOP II |

**Absolute Maximum Ratings**

| Symbol              | Parameter                                      | Rating     | Unit |
|---------------------|--|------------|------|
| T <sub>A</sub>      | Ambient Temperature under Bias                 | 0 ~ 70     | C    |
| T <sub>STG</sub>    | Storage Temperature                            | -55 ~ 125  | C    |
| V <sub>IN/OUT</sub> | Voltage on any Pin Relative to V <sub>SS</sub> | -1.0 ~ 7.0 | V    |
| V <sub>CC</sub>     | Supply Voltage Relative to V <sub>SS</sub>     | -1.0 ~ 7.0 | V    |
| I <sub>OUT</sub>    | Short Circuit Output Current                   | 50         | mA   |
| P <sub>T</sub>      | Power Dissipation                              | 1.0        | W    |

**Recommended DC Operating Conditions (T<sub>A</sub> = 0 ~ 70C)**

| Symbol          | Parameter          | Min  | Typ | Max | Unit |
|-----------------|--------------------|------|-----|-----|------|
| V <sub>CC</sub> | Supply Voltage     | 4.5  | 5.0 | 5.5 | V    |
| V <sub>IH</sub> | Input High Voltage | 2.4  | -   | 6.5 | V    |
| V <sub>IL</sub> | Input Low Voltage  | -1.0 | -   | 0.8 | V    |

Note: All voltage referred to V<sub>SS</sub>.

**DC Electrical Characteristics** ( $V_{CC} = 5.0V \pm 10\%$ ,  $V_{SS} = 0V$ ,  $T_A = 0 \sim 70C$ )

| Symbol     | Parameter  | Min  | Max      | Unit | Note |      |
|------------|--|------|----------|------|------|------|
| $V_{OH}$   | Output Level<br>Output "H" Level Voltage ( $I_{OUT} = -5mA$ )  | 2.4  | $V_{CC}$ | V    |      |      |
| $V_{OL}$   | Output Level<br>Output "L" Level Voltage ( $I_{OUT} = 4.2mA$ )   | 0    | 0.4      | V    |      |      |
| $I_{CC1}$  | Operating Current<br>Average Power Supply Operating Current<br>( $\overline{RAS}$ , $\overline{CAS}$ Cycling: $t_{RC} = t_{RC \min}$ )                                 | 50ns | -        | 90   | mA   | 1, 2 |
|            |  | 60ns | -        | 80   |      |      |
|            |  | 70ns | -        | 70   |      |      |
| $I_{CC2}$  | Standby Current (TTL)<br>Power Supply Standby Current<br>( $\overline{RAS}$ , $\overline{CAS} = V_{IH}$ , $D_{OUT} = High-Z$ )   | -    | 2        | mA   |      |      |
| $I_{CC3}$  | $\overline{RAS}$ Only Refresh Current<br>Average Power Supply Current<br>$\overline{RAS}$ Only Refresh Mode<br>( $t_{RC} = t_{RC \min}$ )                              | 50ns | -        | 90   | mA   | 2    |
|            |  | 60ns | -        | 80   |      |      |
|            |  | 70ns | -        | 70   |      |      |
| $I_{CC4}$  | Fast Page Mode Current<br>Average Power Supply Current<br>Fast Page Mode<br>( $\overline{RAS} = V_{IL}$ , $\overline{CAS}$ , Address Cycling: $t_{PC} = t_{PC \min}$ ) | 50ns | -        | 80   | mA   | 1, 3 |
|            |  | 60ns | -        | 70   |      |      |
|            |  | 70ns | -        | 60   |      |      |
| $I_{CC5}$  | Standby Current (CMOS)<br>Power Supply Standby Current<br>( $\overline{RAS}$ , $\overline{CAS} \geq V_{CC} - 0.2V$ , $D_{OUT} = High-Z$ )                              | -    | 1        | mA   |      |      |
|            |  | -    | 150      | uA   | 5    |      |
| $I_{CC6}$  | $\overline{CAS}$ -before- $\overline{RAS}$ Refresh Current<br>( $t_{RC} = t_{RC \min}$ )   | 50ns | -        | 90   | mA   |      |
|            |  | 60ns | -        | 80   |      |      |
|            |  | 70ns | -        | 70   |      |      |
| $I_{CC7}$  | Battery Backup Operating Current(Standby with CBR Refresh)<br>(CBR refresh, $t_{RC} = 31.3\mu s$ , $t_{RAS} \leq 0.3\mu s$ ,<br>$D_{OUT} = High-Z$ , CMOS interface)   | -    | 350      | uA   | 4, 5 |      |
| $I_{CC8}$  | Standby Current $\overline{RAS} = V_{IH}$<br>$\overline{CAS} = V_{IL}$<br>$D_{OUT} = Enable$   | -    | 5        | mA   | 1    |      |
| $I_{L(I)}$ | Input Leakage Current<br>Any Input ( $0V \leq V_{IN} \leq 6V$ )  | -10  | 10       | uA   |      |      |
| $I_{L(O)}$ | Output Leakage Current<br>( $D_{OUT}$ is Disabled, $0V \leq V_{OUT} \leq 6V$ )   | -10  | 10       | uA   |      |      |

Note: 1.  $I_{CC}$  depends on output load condition when the device is selected.

$I_{CC(max)}$  is specified at the output open condition.

2. Address can be changed once or less while  $\overline{RAS} = V_{IL}$ .

3. Address can be changed once or less while  $\overline{CAS} = V_{IH}$ .

4.  $\overline{CAS} = L$  ( $\leq 0.2$ ) while  $\overline{RAS} = L$  ( $\leq 0.2$ ).

5. L-version.

**Capacitance** ( $V_{CC} = 5.0V \pm 10\%$ ,  $T_A = 25C$ )

| Symbol           | Parameter                        | Min | Max | Unit | Note |
|------------------|----------------------------------|-----|-----|------|------|
| C <sub>I1</sub>  | Input Capacitance (Address)      | -   | 5   | pF   | 1    |
| C <sub>I2</sub>  | Input Capacitance (Clocks)       | -   | 7   | pF   | 1    |
| C <sub>I/O</sub> | Output Capacitance (Data-In/Out) | -   | 7   | pF   | 1, 2 |

Note: 1. Capacitance measured with Boonton Meter or effective capacitance measuring method.

2. CAS = V<sub>IH</sub> to disable D<sub>OUT</sub>.

**AC Characteristics** ( $V_{CC} = 5.0V \pm 10\%$ ,  $V_{SS} = 0V$ ,  $T_A = 0 \sim 70C$ , Notes 1, 2, 3, 19, 20)

Test Conditions

Input rise and fall times : 5ns

Input timing reference levels : 0.8V, 2.4V

Output timing reference levels : 0.4V, 2.4V

Output load : 2 TTL gate + C<sub>L</sub> (100pF)

(Including scope and jig)

**Read, Write, Read-Modify-Write and Refresh Cycles** (Common Parameters)

| Symbol           | Parameter   | GM71C(S)16400<br>C/CL-5 |        | GM71C(S)16400<br>C/CL-6 |        | GM71C(S)16400<br>C/CL-7 |        | Unit | Note |
|------------------|---|-------------------------|--------|-------------------------|--------|-------------------------|--------|------|------|
|                  |   | Min                     | Max    | Min                     | Max    | Min                     | Max    |      |      |
| t <sub>RC</sub>  | Random Read or Write Cycle Time                                   | 90                      | -      | 110                     | -      | 130                     | -      | ns   |      |
| t <sub>RP</sub>  | $\overline{\text{RAS}}$ Precharge Time                            | 30                      | -      | 40                      | -      | 50                      | -      | ns   |      |
| t <sub>CP</sub>  | $\overline{\text{CAS}}$ Precharge Time                            | 7                       | -      | 10                      | -      | 10                      | -      | ns   |      |
| t <sub>RAS</sub> | $\overline{\text{RAS}}$ Pulse Width                               | 50                      | 10,000 | 60                      | 10,000 | 70                      | 10,000 | ns   |      |
| t <sub>CAS</sub> | $\overline{\text{CAS}}$ Pulse Width                               | 13                      | 10,000 | 15                      | 10,000 | 18                      | 10,000 | ns   |      |
| t <sub>ASR</sub> | Row Address Set up Time   | 0                       | -      | 0                       | -      | 0                       | -      | ns   |      |
| t <sub>RAH</sub> | Row Address Hold Time   | 7                       | -      | 10                      | -      | 10                      | -      | ns   |      |
| t <sub>ASC</sub> | Column Address Set-up Time  | 0                       | -      | 0                       | -      | 0                       | -      | ns   |      |
| t <sub>CAH</sub> | Column Address Hold Time  | 7                       | -      | 10                      | -      | 15                      | -      | ns   |      |
| t <sub>RCD</sub> | $\overline{\text{RAS}}$ to $\overline{\text{CAS}}$ Delay Time     | 17                      | 45     | 20                      | 45     | 20                      | 52     | ns   | 4    |
| t <sub>RAD</sub> | $\overline{\text{RAS}}$ to Column Address Delay Time              | 12                      | 30     | 15                      | 30     | 15                      | 35     | ns   | 5    |
| t <sub>RSH</sub> | $\overline{\text{RAS}}$ Hold Time                                 | 13                      | -      | 15                      | -      | 18                      | -      | ns   |      |
| t <sub>CSH</sub> | $\overline{\text{CAS}}$ Hold Time                                 | 50                      | -      | 60                      | -      | 70                      | -      | ns   |      |
| t <sub>CRP</sub> | $\overline{\text{CAS}}$ to $\overline{\text{RAS}}$ Precharge Time | 5                       | -      | 5                       | -      | 5                       | -      | ns   |      |
| t <sub>ODD</sub> | $\overline{\text{OE}}$ to D <sub>IN</sub> Delay Time              | 13                      | -      | 15                      | -      | 18                      | -      | ns   | 6    |
| t <sub>DZO</sub> | $\overline{\text{OE}}$ Delay Time from D <sub>IN</sub>            | 0                       | -      | 0                       | -      | 0                       | -      | ns   | 7    |
| t <sub>DZC</sub> | $\overline{\text{CAS}}$ Delay Time from D <sub>IN</sub>           | 0                       | -      | 0                       | -      | 0                       | -      | ns   | 7    |
| t <sub>T</sub>   | Transition Time (Rise and Fall)                                   | 3                       | 50     | 3                       | 50     | 3                       | 50     | ns   | 8    |

**Read Cycle**

| Symbol           | Parameter   | GM71C(S)16400<br>C/CL-5 |     | GM71C(S)16400<br>C/CL-6 |     | GM71C(S)16400<br>C/CL-7 |     | Unit | Note            |
|------------------|---|-------------------------|-----|-------------------------|-----|-------------------------|-----|------|-----------------|
|                  |   | Min                     | Max | Min                     | Max | Min                     | Max |      |                 |
| t <sub>RAC</sub> | Access Time from $\overline{\text{RAS}}$                      | -                       | 50  | -                       | 60  | -                       | 70  | ns   | 9,10,21         |
| t <sub>CAC</sub> | Access Time from $\overline{\text{CAS}}$                      | -                       | 13  | -                       | 15  | -                       | 18  | ns   | 10,11,<br>18,21 |
| t <sub>AA</sub>  | Access Time from Address                                      | -                       | 25  | -                       | 30  | -                       | 35  | ns   | 10,12,<br>18,21 |
| t <sub>OAC</sub> | Access Time from $\overline{\text{OE}}$                       | -                       | 13  | -                       | 15  | -                       | 18  | ns   | 10              |
| t <sub>RCS</sub> | Read Command Setup Time                                       | 0                       | -   | 0                       | -   | 0                       | -   | ns   |                 |
| t <sub>RCH</sub> | Read Command Hold Time to $\overline{\text{CAS}}$             | 0                       | -   | 0                       | -   | 0                       | -   | ns   | 13              |
| t <sub>RRH</sub> | Read Command Hold Time to $\overline{\text{RAS}}$             | 5                       | -   | 5                       | -   | 5                       | -   | ns   | 13              |
| t <sub>RAL</sub> | Column Address to $\overline{\text{RAS}}$ Lead Time           | 25                      | -   | 30                      | -   | 35                      | -   | ns   |                 |
| t <sub>CAL</sub> | Column Address to $\overline{\text{CAS}}$ Lead Time           | 25                      | -   | 30                      | -   | 35                      | -   | ns   |                 |
| t <sub>CLZ</sub> | $\overline{\text{CAS}}$ to Output in low-Z                    | 0                       | -   | 0                       | -   | 0                       | -   | ns   |                 |
| t <sub>OH</sub>  | Output Data Hold Time   | 3                       | -   | 3                       | -   | 3                       | -   | ns   |                 |
| t <sub>OH0</sub> | Output Data Hold Time from $\overline{\text{OE}}$             | 3                       | -   | 3                       | -   | 3                       | -   | ns   |                 |
| t <sub>OEZ</sub> | Output Buffer Turn-off Time to $\overline{\text{OE}}$         | -                       | 13  | -                       | 15  | -                       | 15  | ns   | 14              |
| t <sub>OFF</sub> | Output Buffer Turn-off Time                                   | -                       | 13  | -                       | 15  | -                       | 15  | ns   | 14              |
| t <sub>CDD</sub> | $\overline{\text{CAS}}$ to $\overline{\text{DIN}}$ Delay Time | 13                      | -   | 15                      | -   | 18                      | -   | ns   | 6               |

**Write Cycle**

| Symbol           | Parameter  | GM71C(S)16400<br>C/CL-5 |     | GM71C(S)16400<br>C/CL-6 |     | GM71C(S)16400<br>C/CL-7 |     | Unit | Note |
|------------------|--|-------------------------|-----|-------------------------|-----|-------------------------|-----|------|------|
|                  |  | Min                     | Max | Min                     | Max | Min                     | Max |      |      |
| t <sub>WCS</sub> | Write Command Setup Time                           | 0                       | -   | 0                       | -   | 0                       | -   | ns   | 15   |
| t <sub>WCH</sub> | Write Command Hold Time                            | 7                       | -   | 10                      | -   | 15                      | -   | ns   |      |
| t <sub>WP</sub>  | Write Command Pulse Width                          | 7                       | -   | 10                      | -   | 10                      | -   | ns   |      |
| t <sub>RWL</sub> | Write Command to $\overline{\text{RAS}}$ Lead Time | 13                      | -   | 15                      | -   | 18                      | -   | ns   |      |
| t <sub>CWL</sub> | Write Command to $\overline{\text{CAS}}$ Lead Time | 13                      | -   | 15                      | -   | 18                      | -   | ns   |      |
| t <sub>DS</sub>  | Data-in Setup Time                                 | 0                       | -   | 0                       | -   | 0                       | -   | ns   | 16   |
| t <sub>DH</sub>  | Data-in Hold Time                                  | 7                       | -   | 10                      | -   | 15                      | -   | ns   | 16   |

**Read- Modify-Write Cycle**

| Symbol           | Parameter  | GM71C(S)16400<br>C/CL-5 |     | GM71C(S)16400<br>C/CL-6 |     | GM71C(S)16400<br>C/CL-7 |     | Unit | Note |
|------------------|--|-------------------------|-----|-------------------------|-----|-------------------------|-----|------|------|
|                  |  | Min                     | Max | Min                     | Max | Min                     | Max |      |      |
| t <sub>RWC</sub> | Read-Modify-Write Cycle Time                                 | 131                     | -   | 155                     | -   | 181                     | -   | ns   |      |
| t <sub>RWD</sub> | $\overline{\text{RAS}}$ to $\overline{\text{WE}}$ Delay Time | 73                      | -   | 85                      | -   | 98                      | -   | ns   | 15   |
| t <sub>CWD</sub> | $\overline{\text{CAS}}$ to $\overline{\text{WE}}$ Delay Time | 36                      | -   | 40                      | -   | 46                      | -   | ns   | 15   |
| t <sub>AWD</sub> | Column Address to $\overline{\text{WE}}$ Delay Time          | 48                      | -   | 55                      | -   | 63                      | -   | ns   | 15   |
| t <sub>OEH</sub> | $\overline{\text{OE}}$ Hold Time from $\overline{\text{WE}}$ | 13                      | -   | 15                      | -   | 18                      | -   | ns   |      |

**Refresh Cycle**

| Symbol           | Parameter  | GM71C(S)16400<br>C/CL-5 |     | GM71C(S)16400<br>C/CL-6 |     | GM71C(S)16400<br>C/CL-7 |     | Unit | Note |
|------------------|--|-------------------------|-----|-------------------------|-----|-------------------------|-----|------|------|
|                  |  | Min                     | Max | Min                     | Max | Min                     | Max |      |      |
| t <sub>CSR</sub> | $\overline{\text{CAS}}$ Setup Time<br>(CAS-before-RAS Refresh Cycle)   | 5                       | -   | 5                       | -   | 5                       | -   | ns   |      |
| t <sub>CHR</sub> | $\overline{\text{CAS}}$ Hold Time<br>(CAS-before-RAS Refresh Cycle)    | 7                       | -   | 10                      | -   | 10                      | -   | ns   |      |
| t <sub>WRP</sub> | $\overline{\text{WE}}$ Setup Time<br>(CAS-before-RAS Refresh Cycle)    | 0                       | -   | 0                       | -   | 0                       | -   | ns   |      |
| t <sub>WRH</sub> | $\overline{\text{WE}}$ Hold Time<br>(CAS-before-RAS Refresh Cycle)     | 10                      | -   | 10                      | -   | 10                      | -   | ns   |      |
| t <sub>RPC</sub> | $\overline{\text{RAS}}$ Precharge to $\overline{\text{CAS}}$ Hold Time | 5                       | -   | 5                       | -   | 5                       | -   | ns   |      |

**Fast Page Mode Cycle**

| Symbol            | Parameter  | GM71C(S)16400<br>C/CL-5 |         | GM71C(S)16400<br>C/CL-6 |         | GM71C(S)16400<br>C/CL-7 |         | Unit | Note     |
|-------------------|--|-------------------------|---------|-------------------------|---------|-------------------------|---------|------|----------|
|                   |  | Min                     | Max     | Min                     | Max     | Min                     | Max     |      |          |
| t <sub>PC</sub>   | Fast Page Mode Cycle Time  | 35                      | -       | 40                      | -       | 45                      | -       | ns   |          |
| t <sub>RASP</sub> | Fast Page Mode $\overline{\text{RAS}}$ Pulse Width                       | -                       | 100,000 | -                       | 100,000 | -                       | 100,000 | ns   | 17       |
| t <sub>ACP</sub>  | Access Time from $\overline{\text{CAS}}$ Precharge                       | -                       | 30      | -                       | 35      | -                       | 40      | ns   | 10,18,21 |
| t <sub>RHCP</sub> | $\overline{\text{RAS}}$ Hold Time from $\overline{\text{CAS}}$ Precharge | 30                      | -       | 35                      | -       | 40                      | -       | ns   |          |

**Fast Page Mode Read-Modify-Write Cycle**

| Symbol            | Parameter  | GM71C(S)16400<br>C/CL-5 |     | GM71C(S)16400<br>C/CL-6 |     | GM71C(S)16400<br>C/CL-7 |     | Unit | Note |
|-------------------|--|-------------------------|-----|-------------------------|-----|-------------------------|-----|------|------|
|                   |  | Min                     | Max | Min                     | Max | Min                     | Max |      |      |
| t <sub>PRWC</sub> | Fast Page Mode Read-Modify-Write Cycle Time                              | 76                      | -   | 85                      | -   | 96                      | -   | ns   |      |
| t <sub>CPW</sub>  | $\overline{\text{WE}}$ Delay Time from $\overline{\text{CAS}}$ Precharge | 53                      | -   | 60                      | -   | 68                      | -   | ns   | 15   |

**Test Mode Cycle \*20**

| Symbol           | Parameter                                   | GM71C(S)16400<br>C/CL-5 |     | GM71C(S)16400<br>C/CL-6 |     | GM71C(S)16400<br>C/CL-7 |     | Unit | Note |
|------------------|---|-------------------------|-----|-------------------------|-----|-------------------------|-----|------|------|
|                  |   | Min                     | Max | Min                     | Max | Min                     | Max |      |      |
| t <sub>WTS</sub> | Test Mode $\overline{\text{WE}}$ Setup Time | 0                       | -   | 0                       | -   | 0                       | -   | ns   |      |
| t <sub>WTH</sub> | Test Mode $\overline{\text{WE}}$ Hold Time  | 10                      | -   | 10                      | -   | 10                      | -   | ns   |      |

**Refresh**

| Symbol           | Parameter                    | GM71C(S)16400<br>C/CL-5 |     | GM71C(S)16400<br>C/CL-6 |     | GM71C(S)16400<br>C/CL-7 |     | Unit | Note        |
|------------------|------------------------------|-------------------------|-----|-------------------------|-----|-------------------------|-----|------|-------------|
|                  |                              | Min                     | Max | Min                     | Max | Min                     | Max |      |             |
| t <sub>REF</sub> | Refresh Period               | -                       | 64  | -                       | 64  | -                       | 64  | ms   | 4096 cycles |
| t <sub>REF</sub> | Refresh Period (L - version) | -                       | 128 | -                       | 128 | -                       | 128 | ms   | 4096 cycles |

**Notes:**

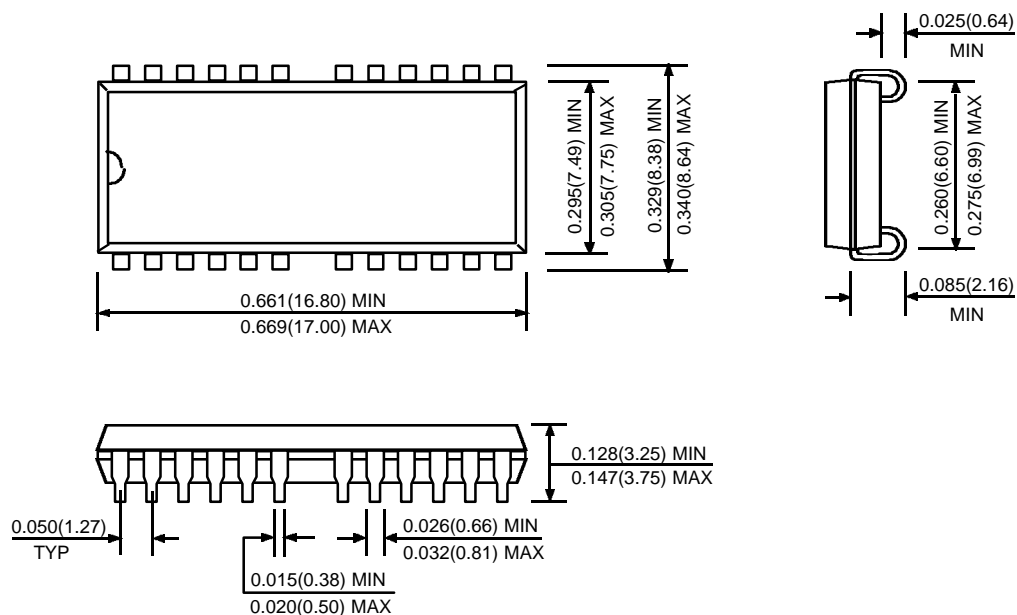
1. AC Measurements assume  $t_r = 5\text{ns}$ .
2. An initial pause of  $200\mu\text{s}$  is required after power up followed by a minimum of eight initialization cycles (any combination of cycles containing RAS-only refresh or  $\overline{\text{CAS}}$ -before-RAS refresh). If the internal refresh counter is used, a minimum of eight  $\overline{\text{CAS}}$ -before-RAS refresh cycles are required.
3. Only row address is indispensable on address A10 and A11.
4. Operation with the  $t_{\text{RCD}}(\text{max})$  limit insures that  $t_{\text{RAC}}(\text{max})$  can be met,  $t_{\text{RCD}}(\text{max})$  is specified as a reference point only; if  $t_{\text{RCD}}$  is greater than the specified  $t_{\text{RCD}}(\text{max})$  limit, then access time is controlled exclusively by  $t_{\text{CAC}}$ .
5. Operation with the  $t_{\text{RAD}}(\text{max})$  limit insures that  $t_{\text{RAC}}(\text{max})$  can be met,  $t_{\text{RAD}}(\text{max})$  is specified as a reference point only; if  $t_{\text{RAD}}$  is greater than the specified  $t_{\text{RAD}}(\text{max})$  limit, then access time is controlled exclusively by  $t_{\text{AA}}$ .
6. Either  $t_{\text{ODD}}$  or  $t_{\text{CDD}}$  must be satisfied.
7. Either  $t_{\text{DZO}}$  or  $t_{\text{DZC}}$  must be satisfied.
8.  $V_{\text{IH}}(\text{min})$  and  $V_{\text{IL}}(\text{max})$  are reference levels for measuring timing of input signals. Also, transition times are measured between  $V_{\text{IH}}(\text{min})$  and  $V_{\text{IL}}(\text{max})$ .
9. Assume that  $t_{\text{RCD}} \leq t_{\text{RCD}}(\text{max})$  and  $t_{\text{RAD}} \leq t_{\text{RAD}}(\text{max})$ . If  $t_{\text{RCD}}$  or  $t_{\text{RAD}}$  is greater than the maximum recommended value shown in this table,  $t_{\text{RAC}}$  exceeds the value shown.
10. Measured with a load circuit equivalent to 2 TTL loads and  $100\text{pF}$  ( $V_{\text{OH}} = 2.4\text{V}$ ,  $V_{\text{OL}} = 0.8\text{V}$ )
11. Assume that  $t_{\text{RCD}} \geq t_{\text{RCD}}(\text{max})$  and  $t_{\text{RCD}} + t_{\text{CAC}}(\text{max}) \geq t_{\text{RAD}} + t_{\text{AA}}(\text{max})$ .
12. Assume that  $t_{\text{RAD}} \geq t_{\text{RAD}}(\text{max})$  and  $t_{\text{RCD}} + t_{\text{CAC}}(\text{max}) \leq t_{\text{RAD}} + t_{\text{AA}}(\text{max})$ .
13. Either  $t_{\text{RCH}}$  or  $t_{\text{RRH}}$  must be satisfied for a read cycles.
14.  $t_{\text{OFF}}(\text{max})$  and  $t_{\text{OEZ}}(\text{max})$  define the time at which the outputs achieve the open circuit condition and are not referenced to output voltage levels.
15.  $t_{\text{WCS}}$ ,  $t_{\text{RWd}}$ ,  $t_{\text{CWD}}$ ,  $t_{\text{AWD}}$  and  $t_{\text{CPW}}$  are not restrictive operating parameters. They are included in the data sheet as electrical characteristics only; if  $t_{\text{WCS}} \geq t_{\text{WCS}}(\text{min})$ , the cycles is an early write cycle and the data out pin will remain open circuit (high impedance) throughout the entire cycle; if  $t_{\text{RWd}} \geq t_{\text{RWd}}(\text{min})$ ,  $t_{\text{CWD}} \geq t_{\text{CWD}}(\text{min})$ , and  $t_{\text{AWD}} \geq t_{\text{AWD}}(\text{min})$ , or  $t_{\text{CWD}} \geq t_{\text{CWD}}(\text{min})$ ,  $t_{\text{AWD}} \geq t_{\text{AWD}}(\text{min})$  and  $t_{\text{CPW}} \geq t_{\text{CPW}}(\text{min})$ , the cycle is a read-modify-write and the data output will contain data read from the selected cell; if neither of the above sets of conditions is satisfied, the condition of the data out (at access time) is indeterminate.
16. These parameters are referenced to  $\overline{\text{CAS}}$  leading edge in early write cycles and to  $\overline{\text{WE}}$  leading edge in delayed write or read-modify-write cycles.
17.  $t_{\text{RASP}}$  defines  $\overline{\text{RAS}}$  pulse width in Fast page mode cycles.
18. Access time is determined by the longest among  $t_{\text{AA}}$  or  $t_{\text{CAC}}$  or  $t_{\text{ACP}}$ .



19. In delayed write or read-modify-write cycles,  $\overline{\text{OE}}$  must disable output buffer prior to applying data to the device. After  $\overline{\text{RAS}}$  is reset, if  $t_{\text{OEH}} \geq t_{\text{CWL}}$ , the I/O pin will remain open circuit (high impedance); if  $t_{\text{OEH}} < t_{\text{CWL}}$ , invalid data will be out at each I/O.
20. The 16M DRAM offers a 16-bit time saving parallel test mode. Address  $\overline{\text{CA0}}$  and  $\overline{\text{CA1}}$  for the  $4\text{M} \times 4$  are don't care during test mode. Test mode is set by performing a  $\overline{\text{WE}}$ -and- $\overline{\text{CAS}}$ -before- $\overline{\text{RAS}}$  (WCBR) cycle. In 16-bit parallel test mode, data is written into 4 bits in parallel at each I/O (I/O1 to I/O4) and read out from each I/O. If 4 bits of each I/O are equal (all 1s or 0s), data output pin is a high state during test mode read cycle, then the device has passed. If they are not equal, data output pin is a low state, then the device has failed. Refresh during test mode operation can be performed by normal read cycles or by WCBR refresh cycles. To get out of test mode and enter a normal operation mode, perform either a regular  $\overline{\text{CAS}}$ -before- $\overline{\text{RAS}}$  refresh cycle or  $\overline{\text{RAS}}$ -only refresh cycle.
21. In a test mode read cycle, the value of  $t_{\text{RAC}}$ ,  $t_{\text{AA}}$ ,  $t_{\text{CAC}}$  and  $t_{\text{ACP}}$  is delayed by 2ns to 5ns for the specified value. These parameters should be specified in test mode cycles by adding the above value to the specified value in this data sheet.

**Package Dimension**

Unit: Inches (mm)

**24(26) SOJ**

**24(26) TSOP (TYPE II)**
