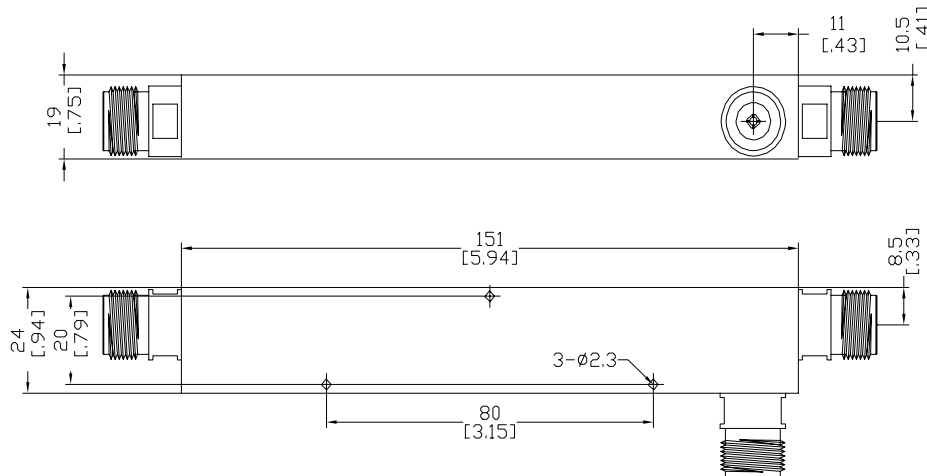


Coupler

P/N: JXWBOH-T-450-890-7

Frequency Range(MHz)	450-890
Coupling(dB)	7±1
Insertion Loss(dB)	2 max
Isolation(dB)	18 min
VSWR	1.3:1 max
Impedance(Ohm)	50
Port Connector	N-Female
Operating Temperature(°C)	-40 ~ +70
Net Weight(Kg)	0.25 Around

Outline Drawing (Size: mm)



For current data sheets, please contact: sales@aacix.com