

FEATURES

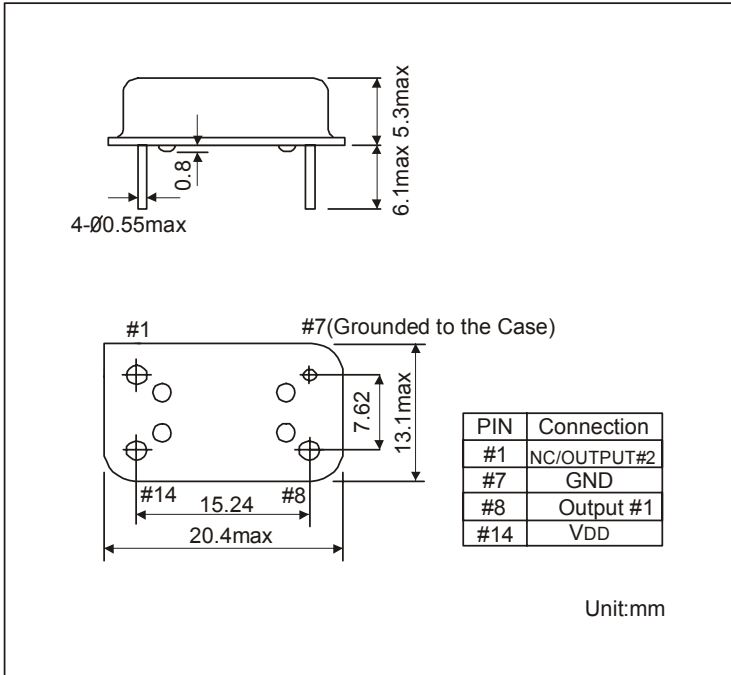
- HIGH RELIABILITY FOR LOW COST
- PECL OUTPUT SIGNAL
- COMPLEMENTARY OUTPUT OPTION
- JITTER OPTIMIZED DIP 14 PECL CLOCK OSCILLATOR
- EXCELLENT CLOCK SIGNAL GENERATOR FOR TELECOM AND TRANSMISSION SYSTEMS
- EXTENDED TEMPERATURE RANGE TO -40/+85°C

SERIES		M6302	
PACKAGE		14 PIN DIP	
FREQUENCY RANGE		480.0 ~ 700.0 MHz	
FREQUENCY STABILITY		+-50 ~ +-100 ppm	
AGING		+5 ppm after first year	
OPERATING TEMPERATURE RANGE		0/+70°C ~ -40/+85°C	
STORAGE TEMPERATURE RANGE		-55/+125°C	
INPUT		VOLTAGE	+3.3 VDC +-5%
		CURRENT	100 mA max.
OUTPUT	SYMMETRY	STANDARD	40/60%
		OPTION	45/55%
	RISE AND FALL TIME PECL		1.5 ns max. (20 ~ 80% PECL)
	"0" LEVEL	PECL 3.3 VOLT	VDD -1.62V max.
	"1" LEVEL		VDD -1.02V min.
LOAD	PECL	50 Ω to VDD -2VDC	
PIN CONNECTION		SEE OUTLINE DRAWINGS	
START-UP TIME		10 ms max.	
PERIOD JITTER RMS		8 ps max.	
<u>OTHER PARAMETERS ARE AVAILABLE ON REQUEST / CREATE HERE YOUR SPECIFICATION</u>			

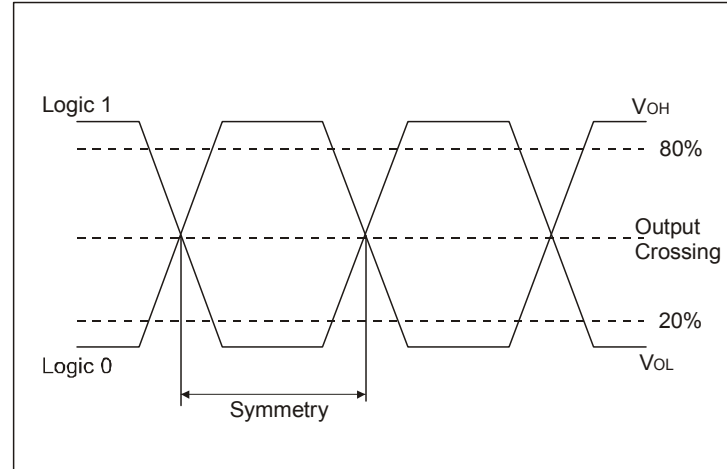
PART NUMBERING SYSTEM

EXAMPLE	M6302-50-W-S-C-622.08MHz
SERIES	M6302
FREQUENCY STABILITY	BLANK FOR 100 PPM 50 FOR 50 PPM
TEMPERATURE RANGE	BLANK FOR 0/+70°C N = -10/+60°C M = -20/+70°C W = -40/+85°C
SYMMETRY	BLANK FOR 40/60% S FOR 45/55%
COMPLEMENTARY OUTPUT	BLANK PIN 1 NOT CONNECTED C FOR COMPLEMENTARY OUTPUT
FREQUENCY	REQUIRED FREQUENCY

OUTLINE DRAWING OF M6302



PECL OUTPUT WAVE FORM



TEST CIRCUIT FOR PECL

