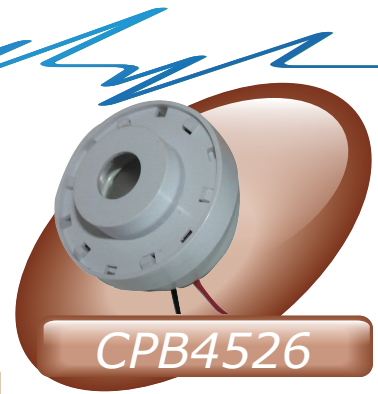
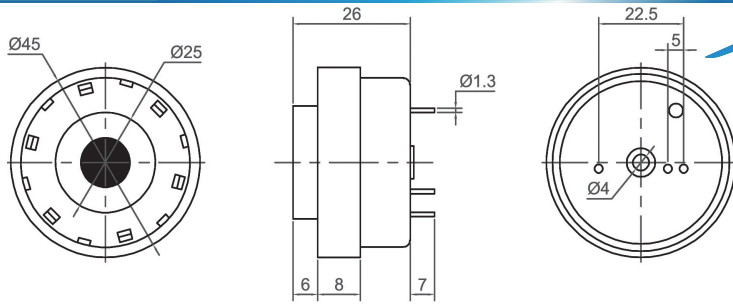


# Piezo Buzzer (DC)

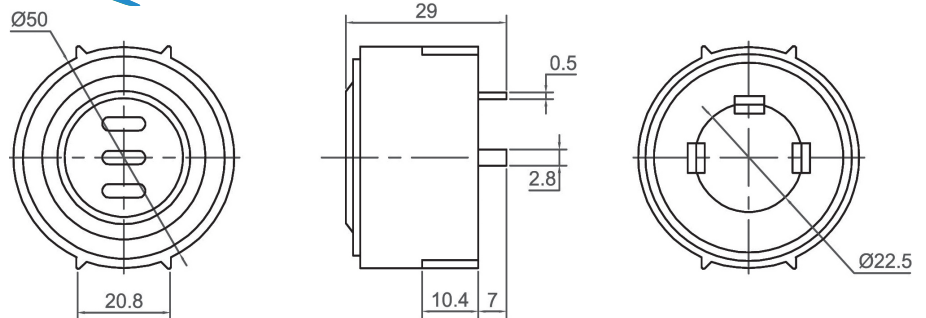


**CPB4526**

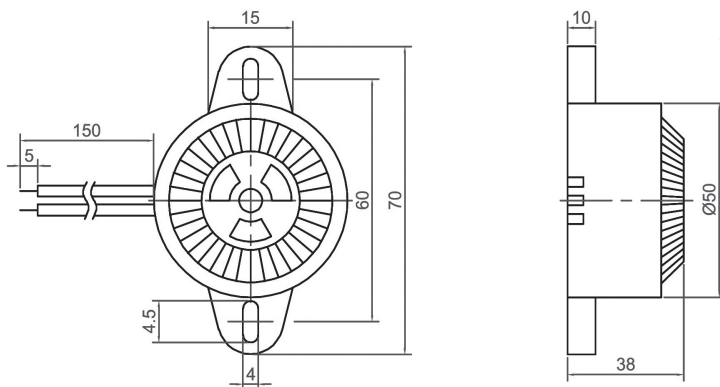
Canopus Part no.	Operating Voltage (VDC)	Rated Voltage (VDC)	Max Rated Current (mA)	Min Sound Output (dBA)	Resonant Frequency (Hz)	Tone Nature	Operating Temperature (°C)	Housing	Weight (g)
CPB4526HC29FW	1 ~ 13	12	35	105 at 30cm	2900 ± 500	Continuous	-20 ~ +60	Fire Retardant ABS	28
CPB4526HCD29FW	1 ~ 13	12	35	105 at 30cm	2900 ± 500	Dual	-20 ~ +60	Fire Retardant ABS	28
CPB4526HD29FW	1 ~ 13	12	20	100 at 30cm	2900 ± 500	Pulse	-20 ~ +60	Fire Retardant ABS	28
CPB4526IC29FW	3 ~ 28	24	20	100 at 30cm	2900 ± 500	Continuous	-20 ~ +60	Fire Retardant ABS	28



**CPB5029**



Canopus Part no.	Operating Voltage (VDC)	Rated Voltage (VDC)	Max Rated Current (mA)	Min Sound Output (dBA)	Resonant Frequency (Hz)	Tone Nature	Operating Temperature (°C)	Housing	Weight (g)
CPB5029HC25BP	3 ~ 13	12	75	108 at 25.4cm	2500 ± 500	Continuous	-20 ~ +60	ABS	40



**CPB5038**

Canopus Part no.	Operating Voltage (VDC)	Rated Voltage (VDC)	Max Rated Current (mA)	Min Sound Output (dBA)	Resonant Frequency (Hz)	Tone Nature	Operating Temperature (°C)	Housing	Weight (g)
CPB5038HT30BW	6 ~ 16	12	65	105 at 30cm	3000~3200±500	Two	-20 ~ +60	ABS	45

**Your Efficient Supplier**  
[www.canopus.com.hk](http://www.canopus.com.hk)

TEL.: (852) 2806 2812

Fax: (852) 2652 2216

**CANOPUS**