

PLEASE CHECK WWW.MOLEX.COM FOR LATEST PART INFORMATION

Part Number: [0508597312](#)
Status: **Active**
Description: Ring Tongue Terminal for 4 AWG, Closed Uninsulated Brazed Barrel, Stud Size 5/16" (M8), Oxygen-Free Copper, Length 33.40mm (1.315"), Clearance 15.50mm (.610") (.539")

Documents:

[Drawing \(PDF\)](#) [RoHS Certificate of Compliance \(PDF\)](#)
[Product Specification PS-50555-001 \(PDF\)](#)

Agency Certification

UL E134962

General

Product Family Ring and Spade Terminals
 Series [50859](#)
 Crimp Quality Equipment Yes
 Mil-Spec N/A
 Product Name R (Ring)
 Type Ring

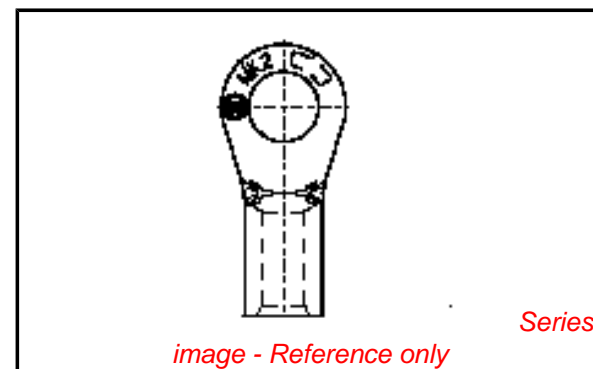
Physical

Barrel Type Closed - Brazed
 Insulation None
 Material - Plating Mating Tin
 Packaging Type Bag
 Stud Size 5/16" (M8)
 Termination Interface: Style Crimp or Compression
 Wire Size AWG 4
 Wire Size mm² 16.78 - 26.66

Material Info

Reference - Drawing Numbers

Product Specification PS-50555-001
 Sales Drawing SD-50859-001



EU RoHS

ELV and RoHS Compliant
REACH SVHC
 Not Reviewed
Halogen-Free Status

China RoHS



Not Reviewed

Need more information on product environmental compliance?

Email productcompliance@molex.com
 For a multiple part number RoHS Certificate of Compliance, [click here](#)

Please visit the [Contact Us](#) section for any non-product compliance questions.

Search Parts in this Series

[50859Series](#)

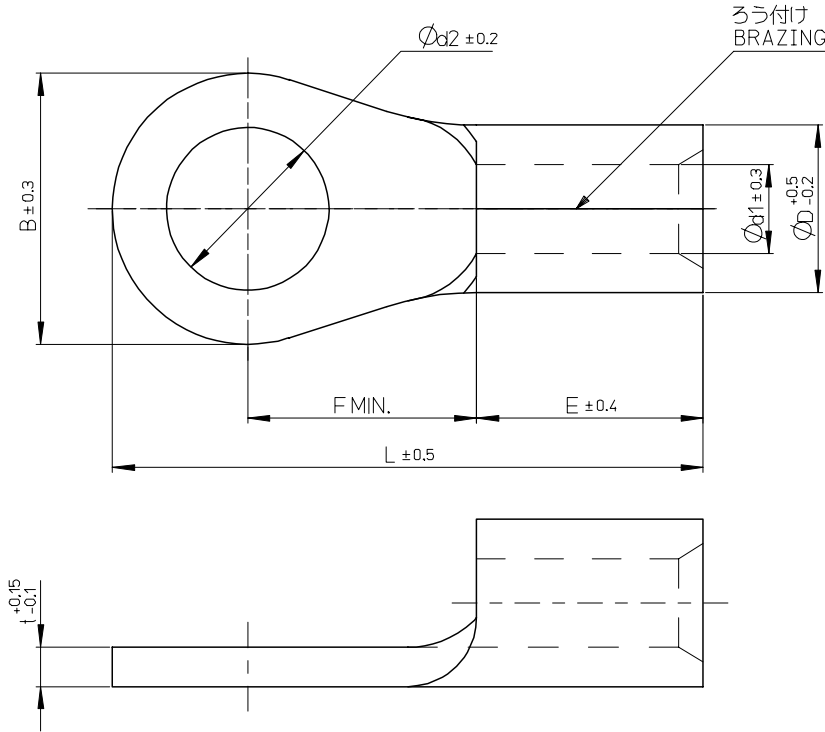
Application Tooling | FAQ

Tooling specifications and manuals are found by selecting the products below. Crimp Height Specifications are then contained in the Application Tooling Specification document.

Japan

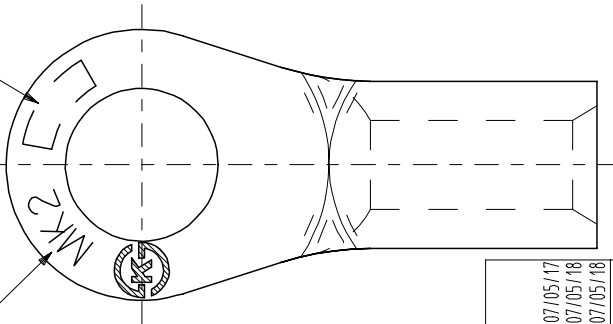
Description	Product #
Battery Type Hand Crimper For JIS Terminal	0573439004

PLEASE CHECK WWW.MOLEX.COM FOR LATEST PART INFORMATION



呼び
NOMINAL SIZE

トレードマーク
TRADE MARK



注記
NOTES

1. 材質 MATERIAL

端子：無酸素銅、錫めっき
TERMINAL: OXYGEN-FREE COPPER, TIN PLATING
TIN PLATING OR GOLD PLATING.

ろう付け部：りん銅ろう

PART OF BRAZING : COPPER PHOSPHORUS BRAZING FILLER METALS

2 適用電線 APPLICABLE WIRE RANGE

単線 SOLID WIRE	撚線 STRANDED WIRE
4.62-5.81 mm	16.78-26.66 mm ²

1.8	8.4	33.4	15.5	11.4	7.7	11.4	12	22	S8	50859-7312
	6.4								S6	50859-7212
	5.3								S5	50859-7112
t	Ød2	L	F	E	Ød1	ØD	B	呼び NOMINAL SIZE	ENG. NO.	

RELEASED EC NO: J2007-0312 DRW: H.YAJIMA 2007/05/17 CHK: K.KASAHARA 2007/05/18 APPR: NUKITA 2007/05/18	GENERAL TOLERANCES (UNLESS SPECIFIED)		DIMENSION STYLE MM ONLY		SCALE ---	DESIGN UNITS METRIC	THIRD ANGLE PROJECTION		
	10 UNDER	± ---	DRAWN BY H. YAJIMA		DATE '06/08/25		RING TERMINAL		
	10 OVER 30 UNDER	± ---	CHECKED BY K. KASAHARA		DATE '06/08/25				
	30 OVER	± ---	APPROVED BY N. UKITA		DATE '06/08/25		MOLEX INCORPORATED		
	ANGULAR	± --- °	MATERIAL NO.		DOCUMENT NO.				
0	DRAFT WHERE APPLICABLE MUST REMAIN WITHIN DIMENSIONS		SEE CHART		SD-50859-001		1 OF 1		