

PLEASE CHECK WWW.MOLEX.COM FOR LATEST PART INFORMATION

Part Number: **0393900103**
Status: **Active**
Description: 9.52mm (.375") Pitch Beau™ Eurostyle™ Fixed Mount PCB Terminal Block, Modular, 3 Circuits

Documents:

[3D Model](#)
[Drawing \(PDF\)](#)

[RoHS Certificate of Compliance \(PDF\)](#)

General

Product Family	Terminal Blocks
Series	39390
Application	Wire-to-Board
Component Type	One Piece
Product Literature Order No	USA-262
Product Name	Eurostyle™ Fixed Mount
Type	Euro Block

Physical

Circuits (Loaded)	3
Entry Angle	Horizontal
Lock to Mating Part	None
Number of Rows	1
Orientation	Vertical
PC Tail Length (in)	0.205 In
PC Tail Length (mm)	5.20 mm
PCB Retention	None
PCB Thickness Recommended (in)	0.157 In
PCB Thickness Recommended (mm)	4.00 mm
Panel Mount	No
Pitch - Mating Interface (in)	0.375 In
Pitch - Mating Interface (mm)	9.53 mm
Polarized to Mating Part	N/A
Stackable	Yes
Temperature Range - Operating	110°C
Wire Size AWG	10, 12, 14, 16, 18, 20, 22, 24, 26, 28, 30
Wire Size mm²	0.05 - 2.50

Electrical

Current - Maximum per Contact	30A
Voltage - Maximum	600V

Solder Process Data

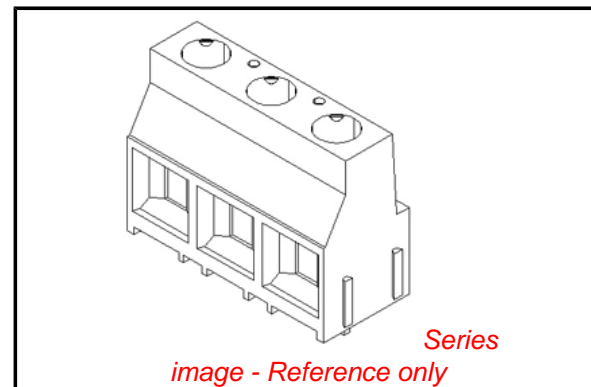
Lead-free Process Capability	Wave Capable (TH only)
Max. Cycles at Max. Process Temperature	5
Process Temperature max. C	260

Material Info

Old Part Number	390503
-----------------	--------

Reference - Drawing Numbers

Sales Drawing	SD-39390-001
---------------	--------------



EU RoHS

ELV and RoHS Compliant
REACH SVHC
 Not Reviewed
Halogen-Free Status

China RoHS



Not Reviewed

Need more information on product environmental compliance?

Email productcompliance@molex.com
 For a multiple part number RoHS Certificate of Compliance, [click here](#)

Please visit the [Contact Us](#) section for any non-product compliance questions.

Search Parts in this Series

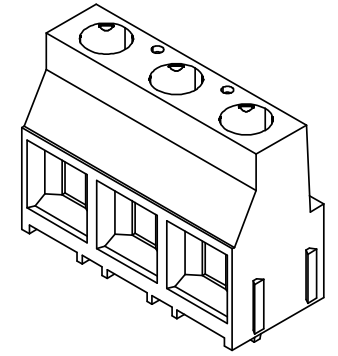
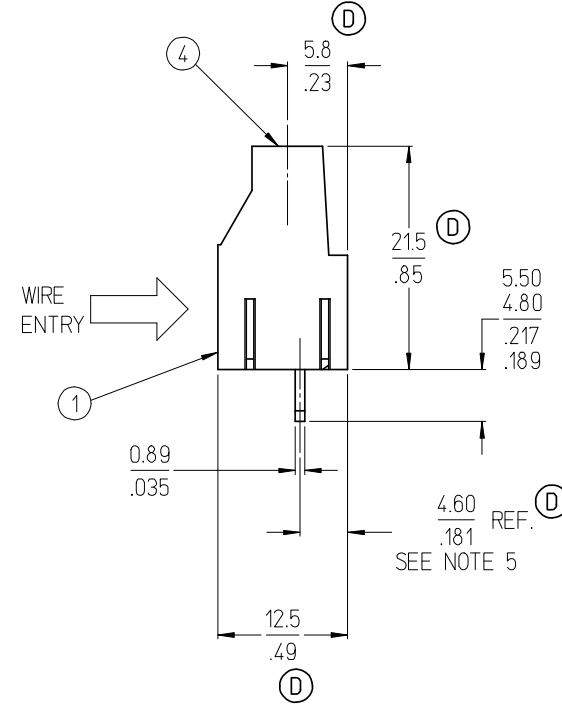
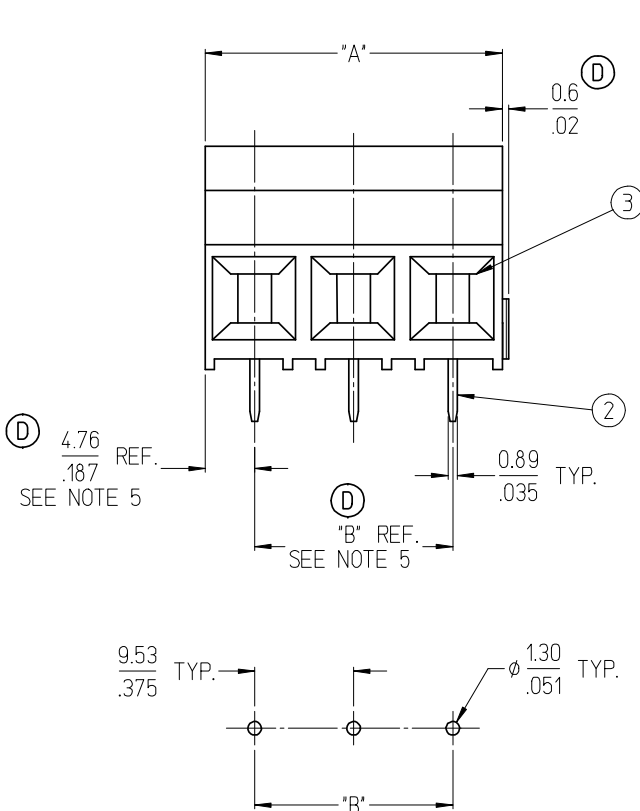
39390Series

Mates With

N/A

MATERIAL NO.	NUMBER OF CIRCUITS "XX"	DIM. "A"	DIM. "B"
393900102	02	19.1 / .75	9.53 / .375
393900103	03	28.6 / 1.13	19.05 / .750

(D)



NOTES:

1. MATERIAL: SEE TABLE
2. FINISHES: SEE TABLE
3. 3 CIRCUIT SHOWN.
4. ASSEMBLY IS ROHS COMPLIANT.
5. DIMENSION SHOWN IS REFERENCE.
PINS ARE DESIGNED TO MOVE SLIGHTLY TO ALLOW FOR FIT INTO THE PC BOARD.

(D)
(D)

ITEM	QTY.	DESCRIPTION	MATERIAL	FINISH
4	XX	SCREW	COPPER	NICKEL
3	XX	CAGE CLAMP	COPPER	NICKEL
2	XX	TERMINAL	COPPER	TIN
1	1	INSULATOR	POLYAMIDE	BLACK

REVISE DIMENSIONS
 EC NO: WNA2008-0046
 DRAWN: CLYORK 2008/06/17
 CHKD: RDEROSS 2008/06/25
 APPR: RDEROSS 2008/06/26

QUALITY SYMBOLS
 ▼=0
 ▽=0

GENERAL TOLERANCES (UNLESS SPECIFIED)

	mm	INCH
4 PLACES	±---	±---
3 PLACES	±---	±.005
2 PLACES	±0.13	±.01
1 PLACE	±0.3	±---

ANGULAR ± 2 °

DRAFT WHERE APPLICABLE
 MUST REMAIN WITHIN DIMENSIONS

DIMENSION STYLE
IN/MM

SCALE
2:1

DESIGN UNITS
INCH

THIRD ANGLE PROJECTION

DRAWN BY: R. KEMP
 DATE: 2003/07/01

CHECKED BY: R. STONE
 DATE: 2003/07/01

APPROVED BY: P. WALTZ
 DATE: 2003/07/01

MATERIAL NO.
SEE CHART

SIZE
B

TITLE
9.53/.375 FIXED TERMINAL BLOCK ASSEMBLY

MOLEX INCORPORATED

DOCUMENT NO.
SD-39390-001

SHEET NO.
1 OF 1

THIS DRAWING CONTAINS INFORMATION THAT IS PROPRIETARY TO MOLEX INCORPORATED AND SHOULD NOT BE USED WITHOUT WRITTEN PERMISSION