

**PLEASE CHECK WWW.MOLEX.COM FOR LATEST PART INFORMATION**

**Part Number:** [0190110036](#)  
**Status:** **Active**  
**Description:** InsulKrimp™ Piggyback Quick Disconnect, Tab 6.35mm (.250") by 0.81mm (.032"), 18-22 AWG, Red Insulator, Reel

**Documents:**

[Drawing \(PDF\)](#) [RoHS Certificate of Compliance \(PDF\)](#)  
[Product Specification PS-19902-008 \(PDF\)](#)

**Agency Certification**

CSA LR18689  
 UL E79133

**General**

Product Family Quick Disconnects  
 Series [19011](#)  
 Crimp Quality Equipment Yes  
 Product Name InsulKrimp™  
 Type Quick Disconnect

**Physical**

Barrel Type Closed  
 Color - Resin Natural  
 Flammability 94V-2  
 Gender Female  
 Glow-Wire Compliant No  
 Insulation PVC  
 Lock to Mating Part No  
 Material - Resin PVC  
 Orientation Straight  
 Packaging Type Reel  
 Polarized to Mating Part Yes  
 Tab Thickness 0.81mm (.032")  
 Tab Width 6.35mm (.250")  
 Temperature Range - Operating 105°C  
 Wire Insulation Diameter 2.79mm (.110") max.  
 Wire Size AWG 18, 20, 22  
 Wire Size mm² 0.35 - 0.80

**Electrical**

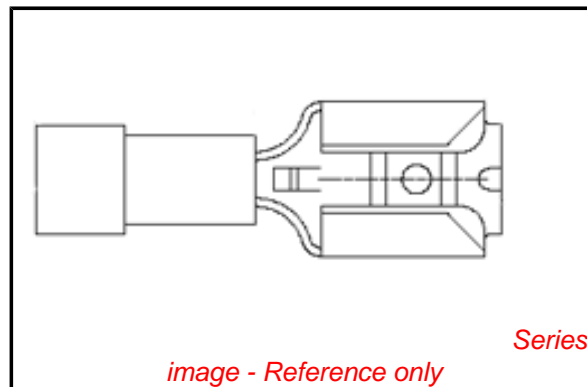
Voltage - Maximum 600V AC

**Material Info**

Old Part Number AA-2301T

**Reference - Drawing Numbers**

Product Specification PS-19902-008  
 Sales Drawing SD-19011-004



**EU RoHS**

**ELV and RoHS Compliant**  
**REACH SVHC**  
 Not Reviewed  
**Halogen-Free Status**  
 Not Reviewed

**China RoHS**



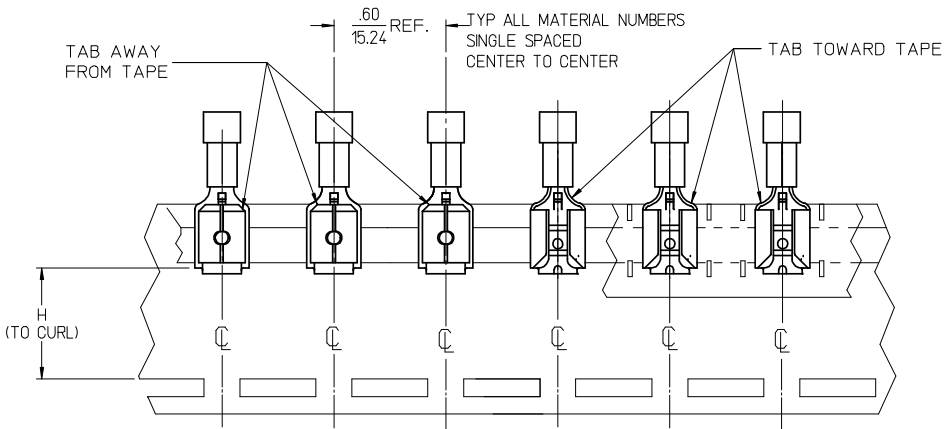
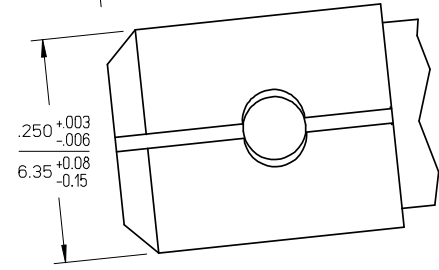
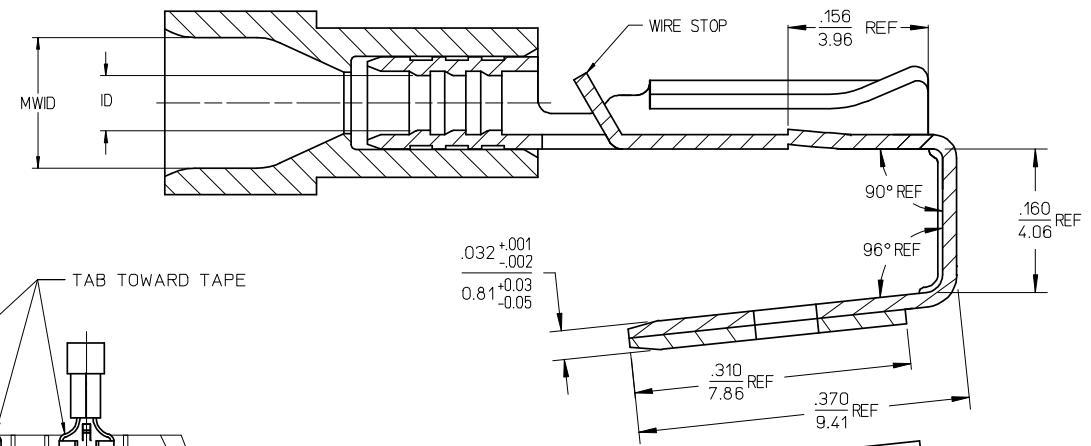
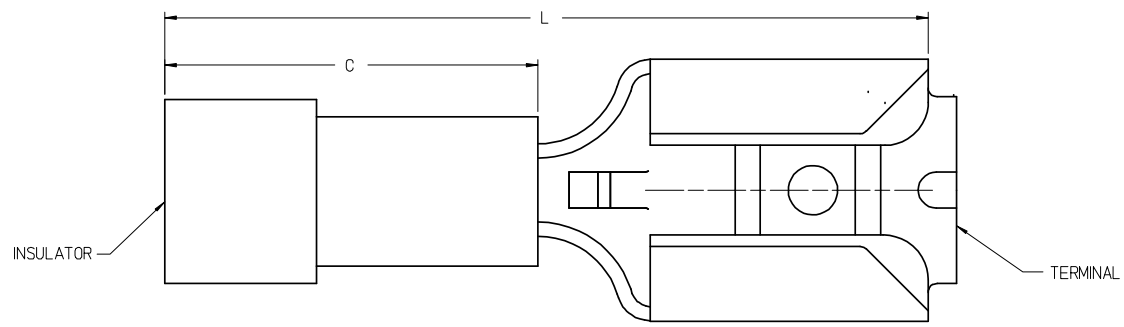
**Need more information on product environmental compliance?**

Email [productcompliance@molex.com](mailto:productcompliance@molex.com)  
 For a multiple part number RoHS Certificate of Compliance, [click here](#)

Please visit the [Contact Us](#) section for any non-product compliance questions.

**Search Parts in this Series**  
[19011Series](#)

|                          |                             |                         |                            |           |                    |               |           |            |             |                  |                      |
|--------------------------|-----------------------------|-------------------------|----------------------------|-----------|--------------------|---------------|-----------|------------|-------------|------------------|----------------------|
| 13                       | 12                          | 11                      | 10                         | 9         | 8                  | 7             | 6         | 4          | 3           | 2                | 1                    |
| MATERIAL NO.<br>LOOSE PC | ENGINEERING NO.<br>LOOSE PC | MATERIAL NO.<br>ON TAPE | ENGINEERING NO.<br>ON TAPE | WIRE SIZE | INSULATOR<br>COLOR | ID<br>MIN REF | MWID      | C<br>MAX   | L<br>MAX    | H<br>NOMINAL (F) | BARE TAB<br>POSITION |
| 190110035                | AA-2301                     | 190110036               | AA-2301T                   | 22-18 AWG | RED                | .0575/1.480   | .110/2.79 | .410/10.41 | .870/22.10  | .54/13.7         | AWAY FROM TAPE       |
| 190110037                | BB-2302                     | 190110038               | BB-2302T                   | 16-14 AWG | BLUE               | .082/2.08     | .140/3.56 | .410/10.41 | .870/22.10  | .54/13.7         | AWAY FROM TAPE       |
| 190110039                | C-2303                      | 190110040               | C-2303T                    | 12-10 AWG | YELLOW             | .128/3.25     | .225/5.71 | .555/14.10 | 1.010/25.65 | .57/14.4         | TOWARD TAPE (F)      |



PARTS ON TAPE (F)  
(SCALE 2:1)

- NOTES:
1. TERMINAL MATERIAL: BRASS
  2. TERMINAL FINISH: TIN PLATED
  3. INSULATOR MATERIAL: PVC
  4. MWID = MAXIMUM WIRE INSULATION DIAMETER.
  5. ASSEMBLY IS ROHS COMPLIANT.

|  |                            |   |  |   |                      |                                     |                               |
|--|----------------------------|---|--|---|----------------------|-------------------------------------|-------------------------------|
| <b>TAPE ORIENTATION</b><br>EC NO: WNA2008-0032<br>DRAWN: THRODAHL 2008/02/14<br>CHKD: JMACNEIL 2008/03/11<br>APPR: JMACNEIL 2008/03/11 | <b>QUALITY SYMBOLS</b><br> | <b>GENERAL TOLERANCES (UNLESS SPECIFIED)</b>  |  | <b>DIMENSION STYLE</b><br>IN/MM                                 | <b>SCALE</b><br>10:1 | <b>DESIGN UNITS</b><br>INCH         | <b>THIRD ANGLE PROJECTION</b> |
|  |                            | 4 PLACES ± --- ± ---<br>3 PLACES ± --- ± .005<br>2 PLACES ± 0.13 ± .1<br>1 PLACE ± 0.25 ± ---<br>ANGULAR ± 1°                 | DRAWN BY<br>JLOMASTRO<br>DATE<br>2005/09/12<br>CHECKED BY<br>RDEROSS<br>DATE<br>2005/09/12<br>APPROVED BY<br>RDEROSS<br>DATE<br>2005/09/12 | <b>TITLE</b><br>PIGGYBACK QD,<br>.250 X .032 TAB,<br>INSULKRIMP |                      | <b>MOLEX INCORPORATED</b>           |                               |
| <b>DRAFT WHERE APPLICABLE MUST REMAIN WITHIN DIMENSIONS</b>  |                            | <b>SEE CHART</b>  |  | <b>MATERIAL NO.</b><br>SD-19011-004                             |                      | <b>DOCUMENT NO.</b><br>SD-19011-004 |                               |
| SIZE<br>   |                            | THIS DRAWING CONTAINS INFORMATION THAT IS PROPRIETARY TO MOLEX INCORPORATED AND SHOULD NOT BE USED WITHOUT WRITTEN PERMISSION |  |   |                      |                                     |                               |