

Customer Information Sheet

DRAWING No.: M50-315XXXX

SHEET 2 OF 2

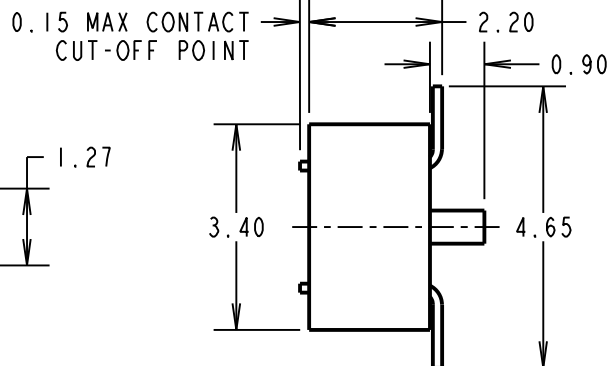
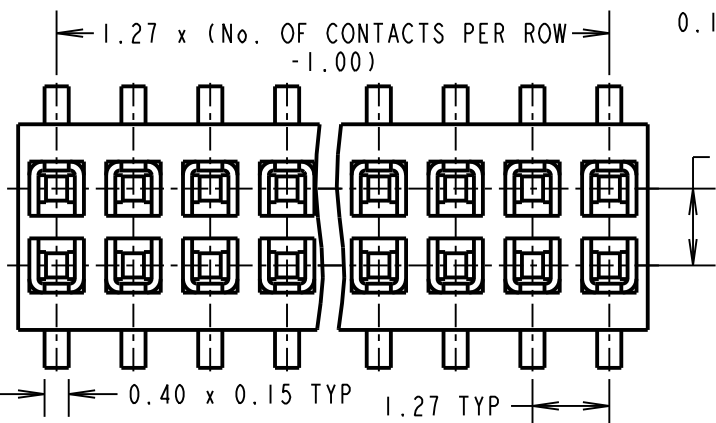
IF IN DOUBT - ASK

©

NOT TO SCALE

THIRD ANGLE PROJECTION

ALL DIMENSIONS IN mm



SPECIFICATION:

MATERIAL:
 MOULDING = 30% GLASS FILLED NYLON-6T UL94V-0
 CONTACTS = PHOSPHOR BRONZE
FINISH:
 42 = GOLD ON CONTACT AREA, 100% TIN OVER NICKEL ON TAILS

ELECTRICAL:

CURRENT RATING = 1A
 CONTACT RESISTANCE = 20mΩ MAX
 INSULATION RESISTANCE = 1000MΩ MIN @ 250V
 DIELECTRIC WITHSTANDING = 500V AC (1 MINUTE)

MECHANICAL:

CONTACT RETENTION = 2.5N MIN
 INSERTION FORCE = 2.0N MAX
 WITHDRAWAL FORCE = 0.3N MIN
 SOLDERABILITY = 260°C FOR 3 SECONDS
 DURABILITY = 25 CYCLES

ENVIRONMENTAL:

TEMPERATURE RANGE = -40°C TO +105°C

PACKING:

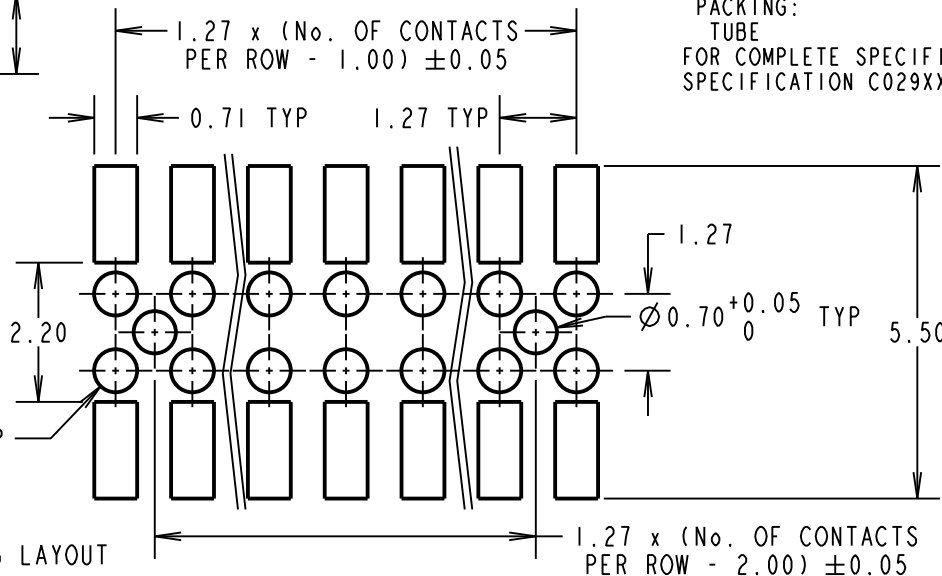
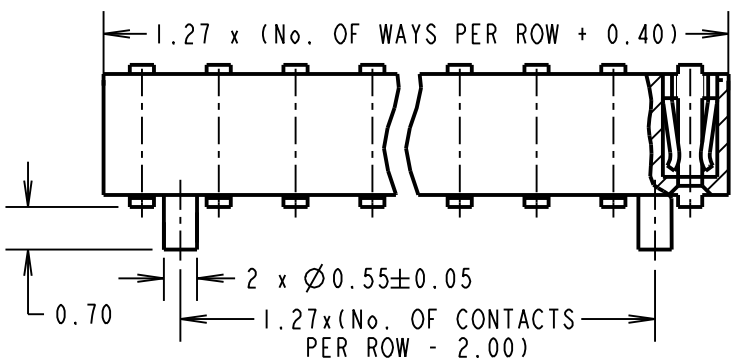
TUBE
 FOR COMPLETE SPECIFICATION, SEE COMPONENT SPECIFICATION C029XX (LATEST ISSUE)

NOTES:

1. ALL TOLERANCES ARE ±0.25 UNLESS OTHERWISE STATED.

CONTACT POINT

1.25±0.10



RECOMMENDED PCB LAYOUT

ORDER CODE
M50-315XXXX

No. OF WAYS PER ROW: _____
 03 TO 50

FINISH: _____
 42 = SELECTIVE GOLD + 100% TIN

SB	13	22.08.11	11415
NAME	ISS.	DATE	C/NOTE
APPROVED:		S.BENNETT	
CHECKED:		S.FLOWER	
DRAWN:		W. J. BOURNE	
CUSTOMER REF.:			
ASSEMBLY DRG:			

HARWIN

HARWIN USA
 TEL: 603 893 5376
 FAX: 603 893 5396
 mis@harwin.com

HARWIN Europe (UK)
 TEL: 023 9231 4545
 FAX: 023 9231 4590
 mis@harwin.co.uk

HARWIN Asia
 TEL: +65 6 779 4909
 FAX: +65 6 779 3868
 mis@harwin.com.sg

THIS DRAWING AND ANY INFORMATION OR DESCRIPTIVE MATTER SET OUT HEREON ARE CONFIDENTIAL AND COPYRIGHT PROPERTY OF THE HARWIN GROUP AND MUST NOT BE DISCLOSED, LOANED, COPIED OR USED FOR MANUFACTURING, TENDERING OR FOR ANY OTHER PURPOSE WITHOUT THEIR WRITTEN PERMISSION.

TOLERANCES
~~X = ±1mm~~
~~X.X = ±0.25mm~~
~~X.XX = ±0.10mm~~
~~X.XXX = ±0.01mm~~
 ANGLES = 5°
 UNLESS STATED

MATERIAL:
 SEE ABOVE

FINISH: SEE ABOVE

S/AREA: mm²

TITLE:
 1.27mm PITCH DIL SMT VERT.
 LOW-PROFILE SOCKET ASSY

DRAWING NUMBER:
M50-315XXXX

SHT 2 OF 2