

**PLEASE CHECK WWW.MOLEX.COM FOR LATEST PART INFORMATION**

**Part Number:** [0758610103](#)  
**Status:** **Active**  
**Overview:** [gbx\\_backplane\\_connector\\_system](#)  
**Description:** 1.85mm by 1.85mm (.073" by .073") Pitch 2-Pair GbX® Backplane L-Series Connector System, Open Header, 55 Circuits, Gold (Au) 0.76µm (30µ"), Pin Length 3.55mm (.140")

**Documents:**

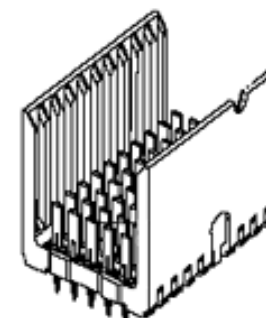
[Drawing \(PDF\)](#) [RoHS Certificate of Compliance \(PDF\)](#)  
[Product Specification PS-75221-999 \(PDF\)](#)

**General**

Product Family	Backplane Connectors
Series	<a href="#">75861</a>
Application	Backplane
Application Tooling Documents	<a href="http://www.molex.com/pdm_docs/ats/TM-622022099.pdf">Tooling Manual</a>
Comments	Open Header
Component Type	PCB Header
Overview	<a href="#">gbx_backplane_connector_system</a>
Product Name	GbX®
Style	N/A

**Physical**

Circuits (Loaded)	50
Circuits (maximum)	50
Color - Resin	Gray (Dark)
Durability (mating cycles max)	200
First Mate / Last Break	No
Guide to Mating Part	No
Keying to Mating Part	None
Material - Metal	High Performance Alloy (HPA)
Material - Plating Mating	Gold
Material - Plating Termination	Tin-Lead
Material - Resin	High Temperature Thermoplastic
Number of Columns	10
Number of Pairs	2
Number of Rows	5
Orientation	Vertical
PC Tail Length (mm)	2.20 mm
PCB Locator	No
PCB Retention	Yes
PCB Thickness Recommended (in)	0.063 In
PCB Thickness Recommended (mm)	1.60 mm
Packaging Type	Tube
Pitch - Mating Interface (in)	0.073 In
Pitch - Mating Interface (mm)	1.85 mm
Pitch - Term. Interface (in)	0.073 In
Pitch - Term. Interface (mm)	1.85 mm
Plating min: Mating (µin)	30
Plating min: Mating (µm)	0.76
Plating min: Termination (µin)	30
Plating min: Termination (µm)	0.76
Polarized to PCB	No
Stackable	No
Surface Mount Compatible (SMC)	Yes



Series

image - Reference only

**EU RoHS**

**RoHS Compliant by Exemption**

**REACH SVHC**

**Contains SVHC: No**

**Halogen-Free**

**Status**

**Halogen-Free**

**Need more information on product environmental compliance?**

Email [productcompliance@molex.com](mailto:productcompliance@molex.com)  
 For a multiple part number RoHS Certificate of Compliance, [click here](#)

Please visit the [Contact Us](#) section for any non-product compliance questions.

**China RoHS**



Pb

**Search Parts in this Series**

[75861Series](#)

**Mates With**

[75676 Gbx Hybrid Daughtercard](#). [75671 GbX® L-Series Daughtercard](#)

**Application Tooling | FAQ**

*Tooling specifications and manuals are found by selecting the products below. Crimp Height Specifications are then contained in the Application Tooling Specification document.*

**Global**

Description	Product #
GbX® 2 Pair by 10 Wide L Series Insertion Module	<a href="#">0622022450</a>

Temperature Range - Operating 105°C  
Termination Interface: Style Through Hole - Compliant Pin

### **Electrical**

Current - Maximum per Contact 1A  
Data Rate 8.0 Gbps  
Real Signals (per 25mm) 67  
Shielded No  
Voltage - Maximum 120V AC (RMS)/DC

### **Material Info**

#### **Reference - Drawing Numbers**

Packaging Specification PK-70873-5058  
Product Specification PS-75221-999  
Sales Drawing SD-75861-010

GbX is a registered trademark of Amphenol Corporation.

This document was generated on 05/14/2010

**PLEASE CHECK [WWW.MOLEX.COM](http://WWW.MOLEX.COM) FOR LATEST PART INFORMATION**

13 12 11 10 9 8 7 6 5 4 3 2 1

CONFIGURATION			
ASSEMBLY NO.	K	N	(L)
75861-050*	4	7.40	9.10
75861-010*	9	16.65	18.35
75861-020*	24	44.40	46.10

75861-0x0\*

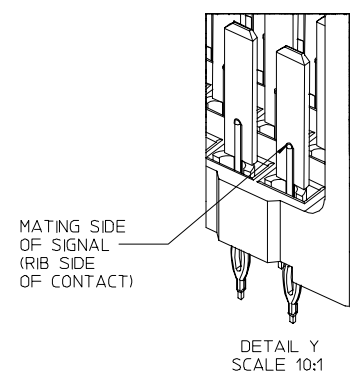
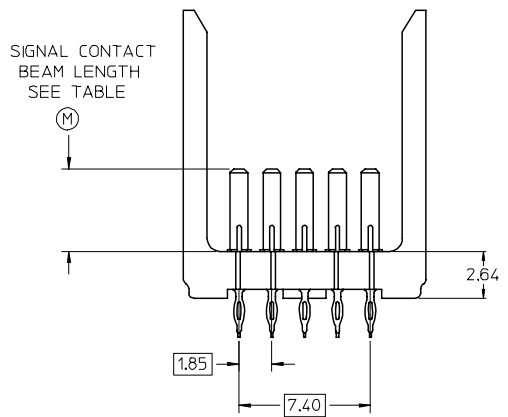
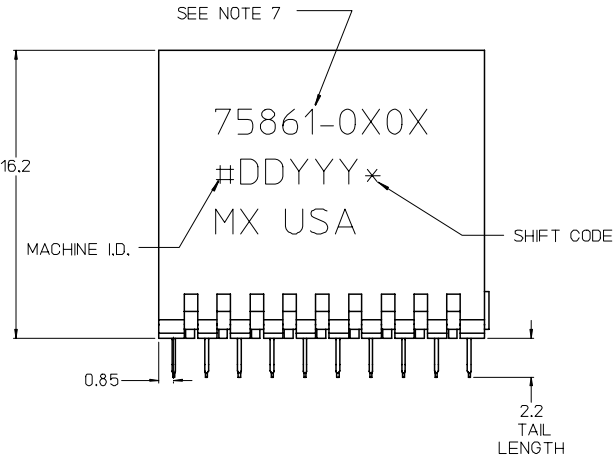
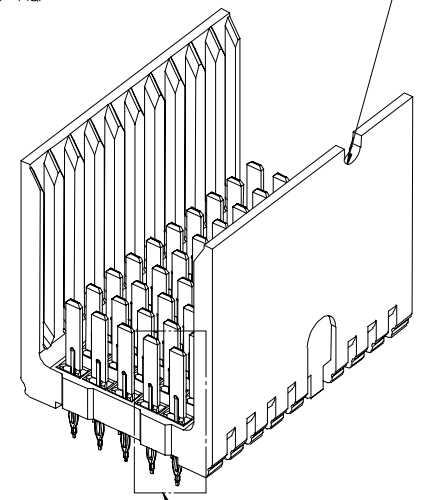
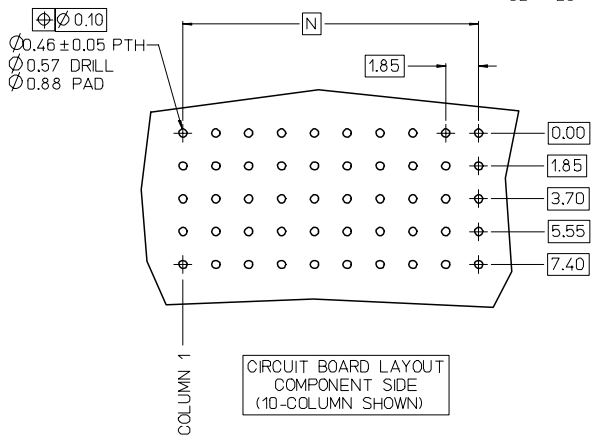
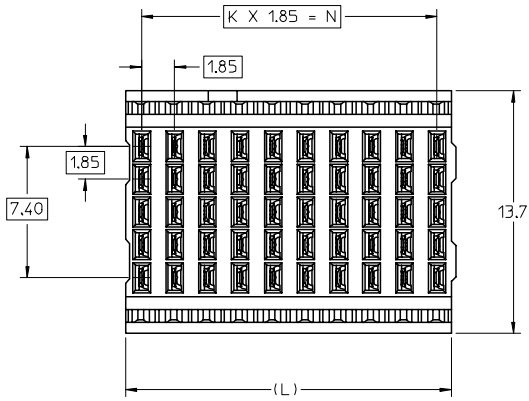
COLUMN

05 = 5  
01 = 10  
02 = 25

SIGNAL LENGTH  
DIMENSION "M"

3 = 3.55mm (30 μ Au)  
4 = 4.55mm (30 μ Au)  
5 = 5.55mm (30 μ Au)  
7 = 3.55mm (50 μ Au)  
8 = 4.55mm (50 μ Au)  
9 = 5.55mm (50 μ Au)

NOTCH DESIGNATES APPROX. POSITION OF A1. ARCH & NOTCH ON OPPOSITE SIDE OF PART MARKING



- NOTES:
1. MATERIAL: HOUSING - LIQUID CRYSTAL POLYMER (LCP), GLASS-FILLED, UL 94V-0, GRAY. SIGNAL CONTACTS - HIGH PERFORMANCE COPPER ALLOY.
  2. FINISHES: SELECTIVE GOLD (Au) ON CONTACT AREA, SELECTIVE TIN/LEAD (Sn/Pb) ON TAIL AREA, NICKEL (Ni) OVERALL.
  3. 10-COLUMN ASSEMBLY SHOWN AS REFERENCE. SEE TABLE AND CHART FOR OTHER OPTIONS.
  4. PARTS PACKAGED PER PK-70873-5058.
  5. THIS PART CONFORMS TO MOLEX PRODUCT SPECIFICATION PS-75221-999.
  6. FOR MIXED CONTACT MATING LENGTHS CONSULT MOLEX.
  7. EITHER MARK PART NUMBER AND DATE CODE APPROXIMATELY WHERE SHOWN OR PLACE A LABEL ON THE TUBE.
  8. MINIMUM CIRCUIT BOARD THICKNESS: 1.6
  9. THESE PARTS CONFORM TO MOLEX COSMETIC SPECIFICATION PS-45499-002 CLASS B.

REVISED (MINOR)	FC NO.	DRAWN BY	DATE	CHECKED BY	DATE	APPROVED BY	DATE	GENERAL TOLERANCES (UNLESS SPECIFIED)		DIMENSION STYLE		SCALE	DESIGN UNITS	THIRD ANGLE PROJECTION
								mm	INCH	MM ONLY	METRIC			
B1	UCP2008-0890	JB INGHAM	2007/11/15	KMULVEY	2006/02/03	SREED	2006/02/03	4 PLACES ± .005	± .005	MM ONLY	5:1	METRIC	THIRD ANGLE PROJECTION	
								3 PLACES ± .005	± .005					
								2 PLACES ± 0.13	± .005					
								1 PLACE ± 0.25	± .005					
								ANGULAR ± .005	± .005					
								DRAFT WHERE APPLICABLE MUST REMAIN WITHIN DIMENSIONS		SEE CHART		SD-75861-010		
								MATERIAL NO.		DOCUMENT NO.		SHEET NO.		
								SIZE		THIS DRAWING CONTAINS INFORMATION THAT IS PROPRIETARY TO MOLEX INCORPORATED AND SHOULD NOT BE USED WITHOUT WRITTEN PERMISSION		1 OF 1		

12 11 10 9 8 7 6 5 4 3 2 1