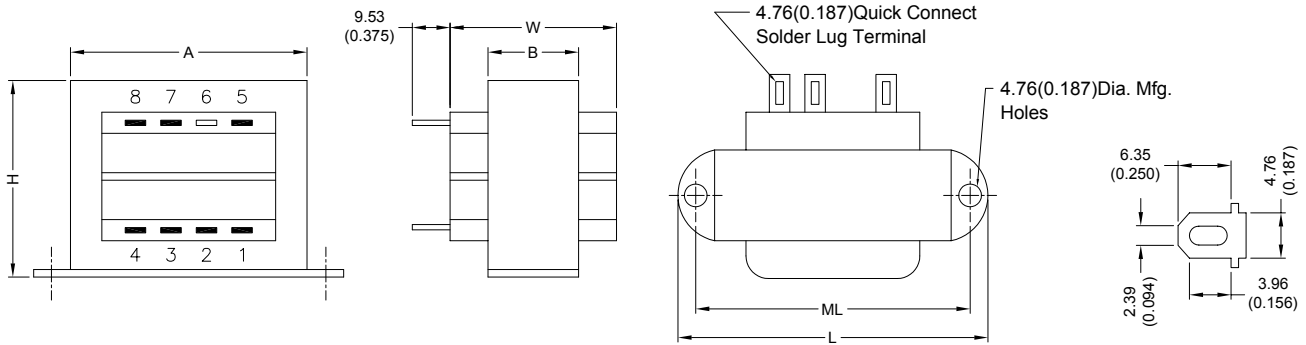


# POWER TRANSFORMER

## DCS3-10 (F) SERIES

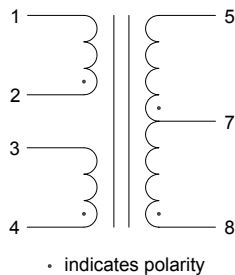
### 1. CONFIGURATION & DIMENSIONS :



UNIT : mm (inch)

SIZE	VA	L	W	H	A	B	ML	gram
3	2.4	52.40 (2.063)	27.00 (1.063)	30.18 (1.188)	41.28 (1.625)	14.30 (0.563)	44.45 (1.75)	113.40

### 2. SCHEMATIC :



### 3. ELECTRICAL CHARACTERISTICS ( @ 25°C ) :

a. Primary Voltage	AC 115/230 V 50/60 Hz .
b. No Load Primary Current	Less Than 10mA / 15mA .
c. Secondary Voltage (±5%)	
Pin 5-8 C.T. Pin 7	AC 12.40 V / 12.40 V .
d. Secondary Load Current	0.25A .
e. Full Load Primary Current	Less Than 40mA / 25mA .
f. Full Load Secondary Voltage (±5%)	10.00V / 10.00V .
Pin 5-8 C.T. Pin 7	
g. DC Resistance	
Pin 1-2	Primary-1 = 575 Ohm .
Pin 3-4	Primary-2 = 750 Ohm .
Pin 5-7	Secondary-1 = 2.45 Ohm .
Pin 7-8	Secondary-2 = 2.45 Ohm .
h. Insulation Resistance	DC 500V 100Meg Ohm Of More .
i. Withstand Voltage (Hi-Pot)	AC 2500V 60Hz 1 Minutes .
j. Temperature Rise	Less Than 60 Deg C .
k. Core Size	EI-35 x 13.00 m/m .
l. Turns & Wire Gauge	
Primary-1 Pin 1-2	2660 Turns Diameter ∅0.08 mm
Primary-2 Pin 3-4	2660 Turns Diameter ∅0.08 mm
Secondary Pin 5-7-8	145 x 2 Turns Diameter ∅0.28 mm



**RoHS Compliant**

NOTE : Specifications subject to change without notice. Please check our website for latest information.

25.02.2008



**SUPERWORLD ELECTRONICS (S) PTE LTD**

PG. 1