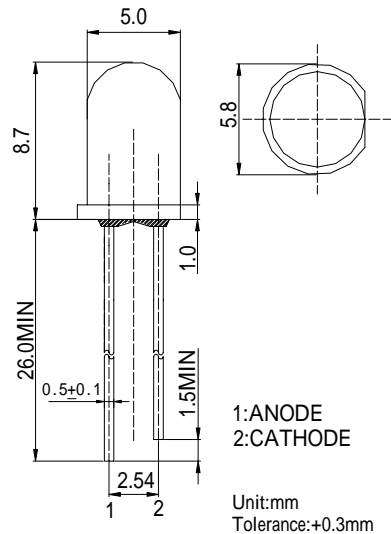


**■Features**

- High Radiant Power LEDs
- 5mm Round Standard Directivity
- Superior Weather-resistance
- UV Resistant Epoxy
- Color Transparent Type

**■Applications**

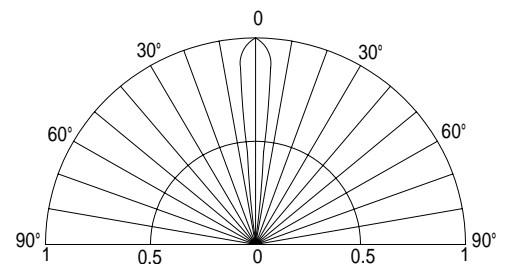
- IrDA
- Encoder
- Data Communication

**■Outline Dimension**

**■Absolute Maximum Rating**

(Ta=25 °C)

Item	Symbol	Value	Unit
DC Forward Current	$I_F$	100	mA
Pulse Forward Current*	$I_{FP}$	1000	mA
Reverse Voltage	$V_R$	5	V
Power Dissipation	$P_D$	180	mW
Operating Temperature	$T_{opr}$	-30 ~ +85	
Storage Temperature	$T_{stg}$	-40 ~ +100	
Lead Soldering Temperature	$T_{sol}$	260 /5sec	-

\* Pulse Width 100us, Duty 1/100

**■Directivity**

**■Electrical -Optical Characteristics**

(Ta=25 °C)

Item	Symbol	Condition	Min.	Typ.	Max.	Unit
DC Forward Voltage	$V_F$	$I_F=100mA$	-	1.6	1.8	V
DC Reverse Current	$I_R$	$V_R=5V$	-	-	10	$\mu A$
Peak Wavelength	$\lambda_p$	$I_F=100mA$	-	940	-	nm
Radiant Intensity*	$I_e$	$I_F=100mA$	-	35	45	mW/Sr
50% Power Angle	$2\theta_{1/2}$	$I_F=100mA$	-	15	-	deg

 \*1 Tolerance of Peak wavelength is  $\pm 1nm$ 

 \*2 Tolerance of l Radiant Intensity is  $\pm 15\%$