



Features

- Semi-shielded construction
- High rated current
- Component height: 4 mm
- Inductance range: 0.5 to 100 μ H
- Rated current up to 10 A
- RoHS compliant* and halogen free**

Applications

- DC/DC converters
- Notebook computers
- Digital video cameras
- HDDs
- Cell phones
- Televisions, LCD displays

SRN8040 Series - Semi-shielded Power Inductors

Electrical Specifications @ 25 °C

Bourns Part No.	Inductance @ 100 KHz/1 V		DCR (Ω) Max.	I _{rms} (A)	I _{sat} (A)
	L (μ H)	Tol. %			
SRN8040-R50Y	0.5	30	0.007	10	12
SRN8040-1R0Y	1.0	30	0.01	7.8	11
SRN8040-1R5Y	1.5	30	0.011	7	8.2
SRN8040-2R2Y	2.2	30	0.013	6.3	7.4
SRN8040-3R3Y	3.3	30	0.021	5.6	5.5
SRN8040-3R6Y	3.6	30	0.022	4.9	5.3
SRN8040-4R7Y	4.7	30	0.024	4.1	4.7
SRN8040-6R8Y	6.8	30	0.033	3.9	4.2
SRN8040-8R2Y	8.2	30	0.045	3.7	4
SRN8040-100M	10	20	0.05	3.1	3.4
SRN8040-150M	15	20	0.07	2.4	2.7
SRN8040-220M	22	20	0.1	2.2	2.2
SRN8040-330M	33	20	0.145	1.7	1.9
SRN8040-470M	47	20	0.19	1.4	1.5
SRN8040-680M	68	20	0.275	1.1	1.2
SRN8040-101M	100	20	0.4	1	1

General Specifications

Operating Temperature
 -40 °C to +105 °C
 (Temperature rise included)
 Storage Temperature .. -40 °C to +125 °C
 Resistance to Solder Heat
 +250 °C for 10 sec.
 Temperature Rise 40 °C at rated I_{rms}
 Rated Current
 Inductance drops 30 % at I_{sat}

Materials

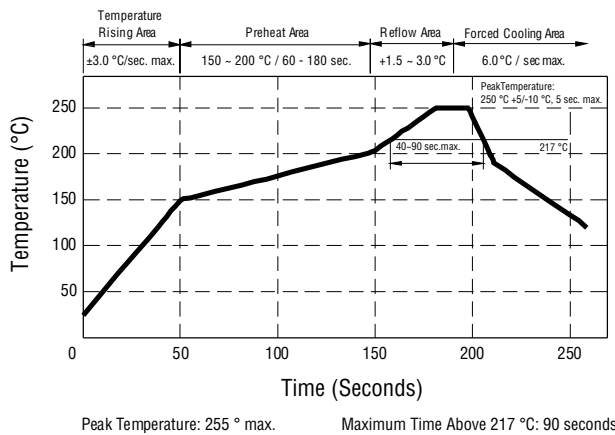
Core..... Ferrite
 Wire Enameled copper
 Terminal Finish..... Sn
 Coating..... Magnetic epoxy resin
 Packaging..... 1200 pcs. per 13-inch reel

How to Order

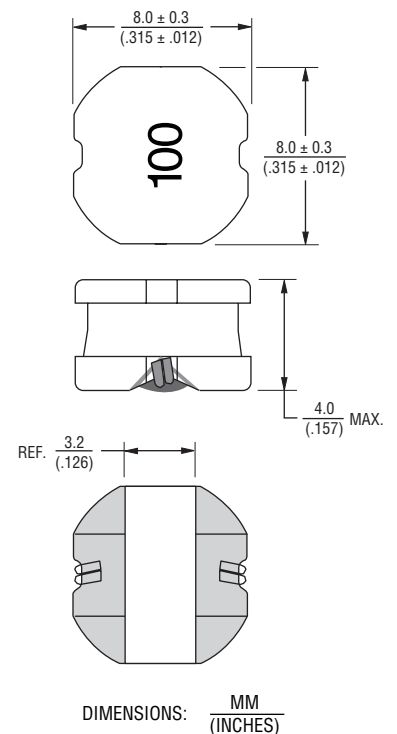
SRN8040 - 100M

Model _____
 Value Code (see table) _____

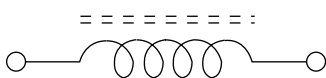
Soldering Profile



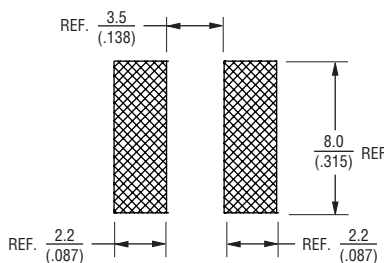
Product Dimensions



Electrical Schematic



Recommended Layout



* RoHS Directive 2002/95/EC Jan 27, 2003 including Annex.

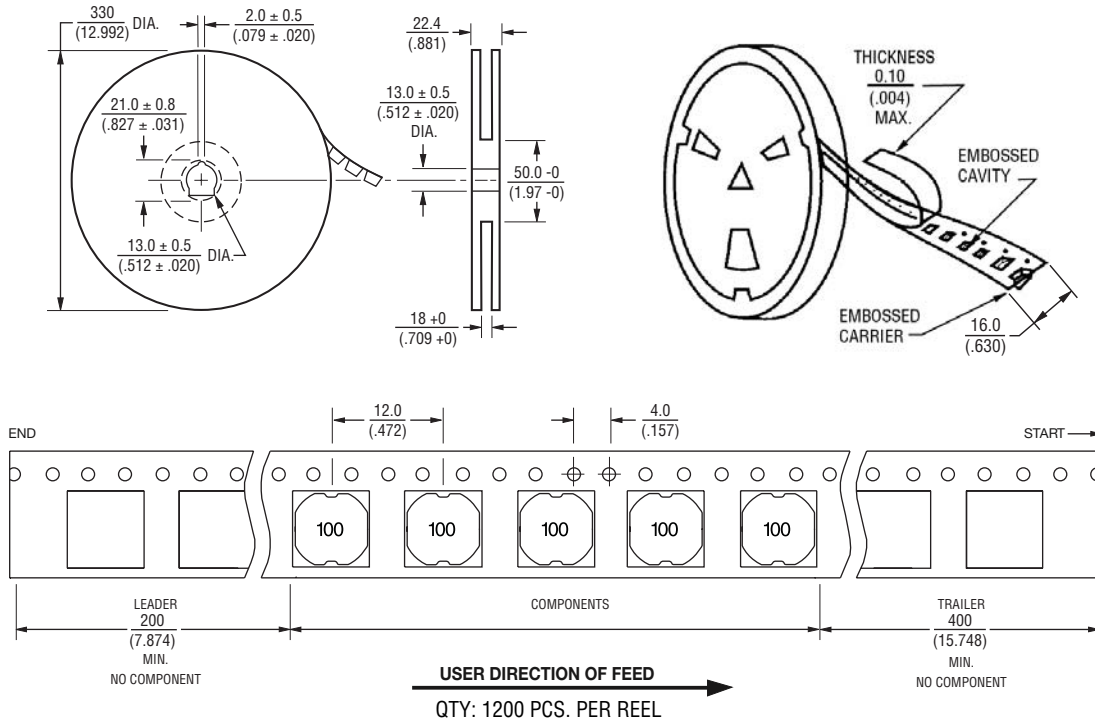
** Bourns follows the prevailing definition of "halogen free" in the industry. Bourns considers a product to be "halogen free" if (a) the Bromine (Br) content is 900 ppm or less; (b) the Chlorine (Cl) content is 900 ppm or less; and (c) the total Bromine (Br) and Chlorine (Cl) content is 1500 ppm or less.

Specifications are subject to change without notice.
 Customers should verify actual device performance in their specific applications.

SRN8040 Series - Semi-shielded Power Inductors

BOURNS®

Packaging Specifications



DIMENSIONS: $\frac{\text{MM}}{\text{(INCHES)}}$

BOURNS®

Asia-Pacific: Tel: +886-2 2562-4117 • Fax: +886-2 2562-4116

Europe: Tel: +41-41 768 5555 • Fax: +41-41 768 5510

The Americas: Tel: +1-951 781-5500 • Fax: +1-951 781-5700

www.bourns.com