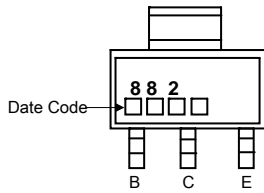
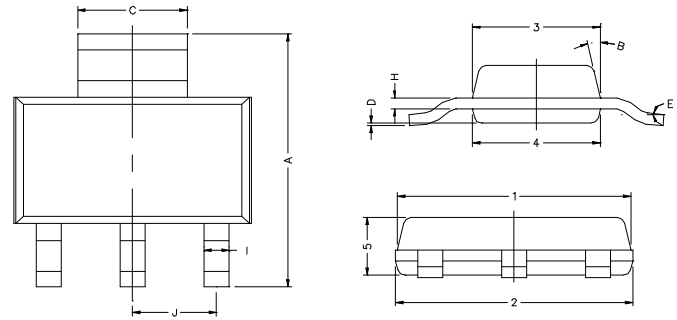


RoHS Compliant Product

SOT-223

Description

The PZT882 is suited for the output stage of 2W audio, voltage regulator, and relay driver.



REF.	Millimeter		REF.	Millimeter	
	Min.	Max.		Min.	Max.
A	6.70	7.30	B	13° TYP.	
C	2.90	3.10	J	2.30 REF.	
D	0.02	0.10	1	6.30	6.70
E	0°	10°	2	6.30	6.70
I	0.60	0.80	3	3.30	3.70
H	0.25	0.35	4	3.30	3.70
			5	1.40	1.80

ABSOLUTE MAXIMUM RATINGS Ta=25°C

Symbol	Parameter	Value	Units
V _{CB0}	Collector-Base Voltage	40	V
V _{CEO}	Collector-Emitter Voltage	30	V
V _{EB0}	Emitter-Base Voltage	5	V
I _C	Collector Current	3	A
P _D	Total Power Dissipation	2	W
T _J , T _{stg}	Junction and Storage Temperature	-55~+150	°C

ELECTRICAL CHARACTERISTICS Tamb=25°C unless otherwise specified

Parameter	Symbol	Min	Typ.	Max	Unit	Test Conditions
Collector-Base Breakdown Voltage	BV _{CB0}	40	-	-	V	I _C = 100µA, I _E =0
Collector-Emitter Breakdown Voltage	*BV _{CEO}	30	-	-	V	I _C = 1mA, I _B =0
Emitter-Base Breakdown Voltage	BV _{EB0}	5	-	-	V	I _E = 10µA
Collector-Base Cutoff Current	I _{CB0}	-	-	1	µA	V _{CB} = 30V
Emitter-Base Cutoff Current	I _{EB0}	-	-	1	µA	V _{EB} =3V
Collector Saturation Voltage	*V _{CE(sat)}	-	-	0.5	V	I _C =2A, I _B =0.2A
Base Saturation Voltage	*V _{BE(sat)}	-	-	2	V	I _C =2A, I _B =0.2A
DC Current Gain	*h _{FE1}	30	-	-		V _{CE} = 2V, I _C =20mA
	*h _{FE2}	100	-	500		V _{CE} = 2V, I _C =1A
Gain-Bandwidth Product	f _T	-	90	-	MHz	V _{CE} = 5V, I _C = 0.1A, f=100MHz
Output Capacitance	C _{ob}	-	45	-	pF	V _{CB} = 10V, f=1MHz, I _E =0

Classification of hFE

Rank	Q	P	E
Range	100~200	160~320	250~500

Characteristics Curve

