

PLEASE CHECK WWW.MOLEX.COM FOR LATEST PART INFORMATION

Part Number: [0878712321](#)
Status: **Active**
Description: 1.25mm (.049") Pitch Board-to-Board Receptacle, Through Hole with Kinked PC Tails, 21 Circuits, Tin (Sn) Overall, Tube Packaging, Lead-free

Documents:

[3D Model](#) [Product Specification PS-87871-006 \(PDF\)](#)
[Drawing \(PDF\)](#) [RoHS Certificate of Compliance \(PDF\)](#)

General

Product Family	PCB Receptacles
Series	87871
Application	Board-to-Board
Comments	ZIGZAG
Product Name	N/A

Physical

Circuits (Loaded)	21
Durability (mating cycles max)	10
Glow-Wire Compliant	No
Lock to Mating Part	None
Mated Height (in)	0.154 In
Mated Height (mm)	3.90 mm
Material - Metal	Copper
Material - Plating Mating	Tin
Material - Plating Termination	Tin
Number of Rows	2
Orientation	Right Angle
PC Tail Length (in)	0.138 In
PC Tail Length (mm)	3.50 mm
PCB Locator	No
PCB Retention	Yes
PCB Thickness Recommended (in)	0.062 In
PCB Thickness Recommended (mm)	1.60 mm
Packaging Type	Tube
Pitch - Mating Interface (in)	0.049 In
Pitch - Mating Interface (mm)	1.25 mm
Polarized to Mating Part	Yes
Polarized to PCB	Yes
Stackable	No
Surface Mount Compatible (SMC)	No
Temperature Range - Operating	-40°C to +105°C
Termination Interface: Style	Surface Mount

Electrical

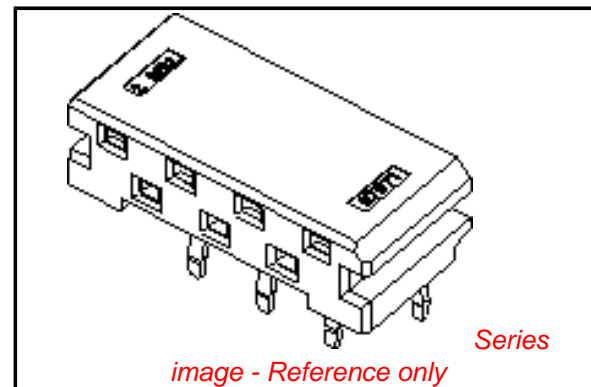
Current - Maximum per Contact	2A
Voltage - Maximum	125V

Material Info

Old Part Number	87871-2323
-----------------	------------

Reference - Drawing Numbers

Product Specification	PS-87871-006
Sales Drawing	SD-87871-010



EU RoHS

**ELV and RoHS
Compliant**
**REACH SVHC
Contains SVHC: No**
**Halogen-Free
Status
Not Reviewed**

China RoHS



**Need more information on product
environmental compliance?**

Email productcompliance@molex.com
For a multiple part number RoHS Certificate of Compliance, [click here](#)

Please visit the [Contact Us](#) section for any non-product compliance questions.

Search Parts in this Series

[87871Series](#)

Mates With

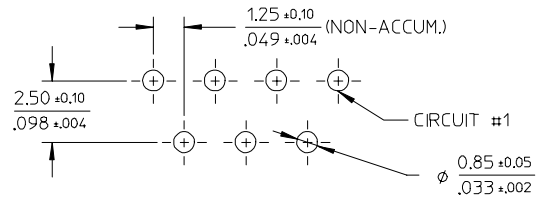
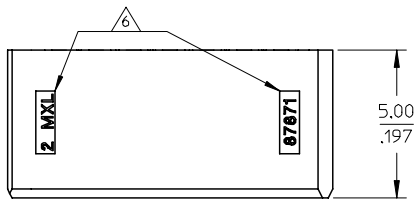
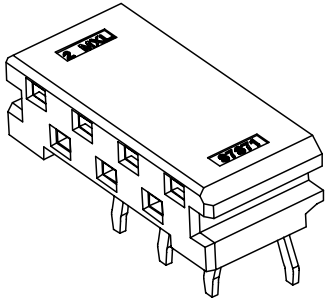
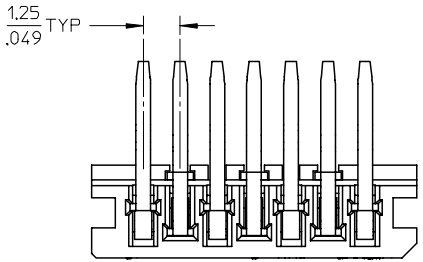
[87872 Board-to-Board Header](#)

This document was generated on 04/19/2010

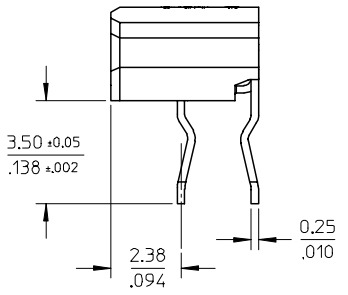
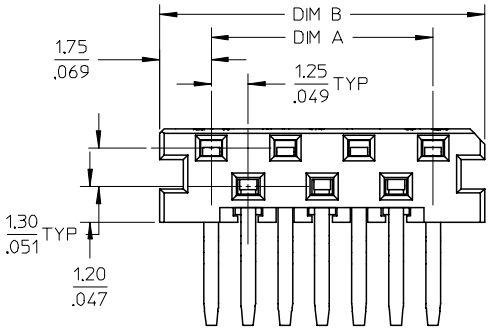
PLEASE CHECK WWW.MOLEX.COM FOR LATEST PART INFORMATION

10 9 8 7 6 5 4 3 2 1

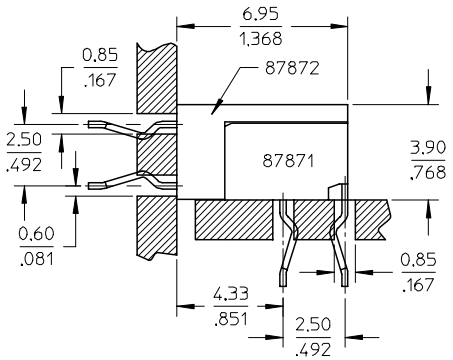
PART NUMBER	CKT SIZE	DIM A	DIM B
87871-2317	17	20.0	23.5
87871-2319	19	22.5	26.0
87871-2321	21	25.0	28.5
87871-2323	23	27.5	31.0



RECOMMENDED PCB LAYOUT
(BOARD THICKNESS : 1.6MM)



- NOTES
- MATERIAL : HOUSING - HIGH TEMP THERMOPLASTIC, GLASS FILLED, UL94 V-0, COLOR : NATURAL
TERMINAL - PHOSPHOR BRONZE
 - FINISHES : TERMINAL - TIN OVERALL
THICKNESS= 3 MICROMETER/118 MICROINCH MINIMUM
 - PRODUCT SPECIFICATION : PS-87871-006
 - PART MATEABLE TO 87872-11**
 - PARTS ARE PACKED IN TUBE.
△ CAVITY IDENTIFICATION NUMBER



EC NO: S2005-0142 DRAWN: BLOW 2004/11/01 CHKD: PTLIM 2004/11/01 APPR: SKTOH 2004/11/04	QUALITY SYMBOLS ▽=0 ▽=0	GENERAL TOLERANCES (UNLESS SPECIFIED)		DIMENSION STYLE	SCALE	DESIGN UNITS	THIRD ANGLE PROJECTION	
				MM/IN	NTS	METRIC		
		4 PLACES	± ---	± ---	DRAWN BY	DATE	TITLE	
		3 PLACES	± ---	± ---	BHLOW	2004/03/31	SALES DRAWING	
2 PLACES	± 0.20	± ---	CHECKED BY	DATE	ZIGZAG, 1.25MM, BTB			
1 PLACE	± ---	± ---	PTLIM	2004/04/07	RECEPTACLE (LEAD-FREE)			
ANGULAR ± 3 °		APPROVED BY		DATE	MOLEX INCORPORATED			
DRAFT WHERE APPLICABLE MUST REMAIN WITHIN DIMENSIONS		SCLOW		2004/04/13	DOCUMENT NO.		SHEET NO.	
A1		SEE TABLE		SD-87871-010		1 OF 1		
THIS DRAWING CONTAINS INFORMATION THAT IS PROPRIETARY TO MOLEX INCORPORATED AND SHOULD NOT BE USED WITHOUT WRITTEN PERMISSION								

9 8 7 6 5 4 3 2 1