

PLEASE CHECK WWW.MOLEX.COM FOR LATEST PART INFORMATION

Part Number: **0190730085**
Status: **Active**
Description: Avikrimp™ Ring Tongue Terminal for 14 to 16 AWG Wire, Stud Size 8, Length 22.48m (.885")

Documents:

[Drawing \(PDF\)](#) [RoHS Certificate of Compliance \(PDF\)](#)

Agency Certification

CSA LR18689
 UL E32244

General

Product Family Ring and Spade Terminals
 Series [19073](#)
 Comments Type II Insulated; Class 1 and 2
 Crimp Quality Equipment Yes
 Mil-Spec AS25036-153, MS25036-153
 MolexKits Yes
 Product Name Avikrimp™
 Type Ring

Physical

Barrel Type Closed
 Flammability 94V-0
 Insulation Nylon (PA)
 Material - Plating Mating Tin
 Packaging Type Bag
 Plating min: Mating (µin) 100
 Plating min: Mating (µm) 2.5
 Plating min: Termination (µin) 100
 Plating min: Termination (µm) 2.5
 Stud Size 8 (M4)
 Wire Insulation Diameter 4.30mm (.170") max.
 Wire Size AWG 14, 16
 Wire Size mm² 1.30 - 2.00

Material Info

Old Part Number BB-837-08

Reference - Drawing Numbers

Sales Drawing SD-19073-006



EU RoHS

ELV and RoHS Compliant
REACH SVHC Contains SVHC: No
Halogen-Free Status
Not Reviewed

China RoHS



Need more information on product environmental compliance?

Email productcompliance@molex.com
 For a multiple part number RoHS Certificate of Compliance, [click here](#)

Please visit the [Contact Us](#) section for any non-product compliance questions.

Search Parts in this Series

[19073Series](#)

Application Tooling | FAQ

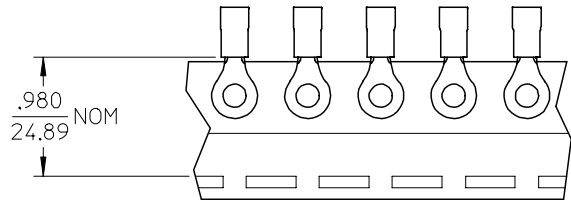
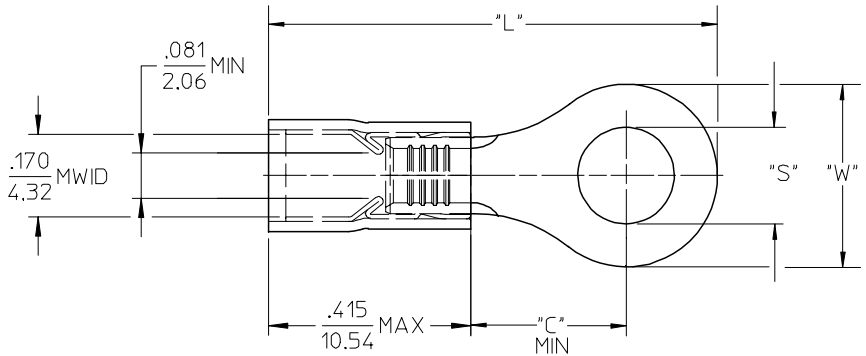
Tooling specifications and manuals are found by selecting the products below. Crimp Height Specifications are then contained in the Application Tooling Specification document.

Global

Description	Product #
Hand Crimp Tool	0640010100
Hand Crimp Tool	0640011400
Crimp Head for the AT-200™ Pneumatic Hand Tool	0640050100
Crimp Head for the AT-200™ Pneumatic Hand Tool	0640051400

19073

MATERIAL NUMBER	ENG. NO.	MATERIAL NUMBER TAPE MOUNTED	ENG. NO.	STUD SIZE	"S" ±.005	"W" MAX	"C" MIN	"L" MAX
190730081	BB-837-04	-----	-----	04	.119 (3.02)	.322 (8.18)	.285 (7.24)	.885 (22.48)
190730083	BB-837-06	190730084	BB-837-06T	06	.146 (3.71)			
190730085	BB-837-08	190730086	BB-837-08T	08	.173 (4.39)			
190730087	BB-837-10	190730088	BB-823-10T	10	.198 (5.03)			
190730302	BB-839-06	190730093	BB-839-06T	06	.146 (3.71)	.352 (8.94)	.310 (7.87)	.936 (23.77)
190730094	BB-839-08	190730096	BB-839-08T	08	.173 (4.39)			
190730097	BB-839-10	190730099	BB-839-10T	10	.198 (5.03)			



SALES DRAWING

- NOTES:
1. MATERIAL: COPPER (.031/0.79) THICK
PLATING: ELECTROPLATE TIN
 2. FERRULE: TIN-PLATED BRASS
 3. INSULATION: BLUE NYLON
 4. MWID=MAXIMUM WIRE INSULATION DIA.
 5. ALL DIMENSIONS IN INCHES (MM).
 6. WIRE SIZE: 16-14 AWG
1.0-2.5 MM²

EC NO: ETC2004-0123 DRWN:DMYRICK 2004/01/05 CHKD:SBEITZEL 2004/01/05 APPR:RDEROSS 2004/01/06	QUALITY SYMBOLS	GENERAL TOLERANCES (UNLESS SPECIFIED)		SCALE 4:1	DESIGN UNITS INCH	THIRD ANGLE PROJECTION	REVISE ON CAD ONLY	
	DESCRIPTION ▼ = 0 ▽ = 0		mm	INCH	DIMENSION STYLE IN/MM		TITLE	RING TONGUE TERMINAL AVIKRIMP, 800-SERIES 16-14 AWG
		4 PLACES	± ---	± ---	DRAWN BY DMYRICK	DATE 03/12/15		
		3 PLACES	± ---	± .005	CHECKED BY SBEITZEL	DATE 03/12/15		
2 PLACES	± 0.13	± .01	ANGULAR ± 1 °		MOLEX INCORPORATED MATERIAL NO. SEE CHART DOCUMENT NO. SD-19073-006		SHEET NO. 1 OF 1	
1 PLACE	± 0.25	± ---	DRAFT WHERE APPLICABLE		THIS DRAWING CONTAINS INFORMATION THAT IS PROPRIETARY TO MOLEX INCORPORATED AND SHOULD NOT BE USED WITHOUT WRITTEN PERMISSION			
MUST REMAIN WITHIN DIMENSIONS								