

PLEASE CHECK WWW.MOLEX.COM FOR LATEST PART INFORMATION

Part Number: [0905712401](#)
Status: **Active**
Description: 2.54mm (.100") Pitch QF-50™ Header, Vertical, Dual Row, Shrouded, DIN Keying, 40 Circuits, 0.1 µm Gold (Au)

Documents:

[3D Model](#) [RoHS Certificate of Compliance \(PDF\)](#)
[Drawing \(PDF\)](#)

Agency Certification

CSA LR19980
 UL E29179

General

Product Family Ribbon Cable / Wire Trap Connectors
 Series [90571](#)
 Comments Eject Levers
 Component Type PCB Header
 Glow-Wire Compliant No
 Product Name QF-50™

Physical

Circuits (Loaded) 40
 Circuits (maximum) 40
 Color - Resin Black
 Durability (mating cycles max) 50
 Entry Angle Vertical
 Flammability 94V-0
 Lock to Mating Part None
 Material - Metal Brass
 Material - Plating Mating Gold
 Material - Plating Termination Tin
 Material - Resin Polyester
 Number of Rows 2
 PCB Locator No
 PCB Retention None
 PCB Thickness Recommended (in) 0.062 In
 PCB Thickness Recommended (mm) 1.60 mm
 Packaging Type Tray
 Pitch - Mating Interface (in) 0.100 In
 Pitch - Mating Interface (mm) 2.54 mm
 Pitch - Term. Interface (in) 0.100 In
 Pitch - Term. Interface (mm) 2.54 mm
 Plating min: Mating (µin) 4
 Plating min: Mating (µm) 0.1
 Plating min: Termination (µin) 120
 Plating min: Termination (µm) 3
 Polarized to Mating Part Yes
 Polarized to PCB No
 Shrouded Closed Ends
 Stackable Yes
 Surface Mount Compatible (SMC) No
 Temperature Range - Operating -25°C to +85°C
 Termination Interface: Style Through Hole
 Wire Insulation Diameter N/A
 Wire Size AWG N/A

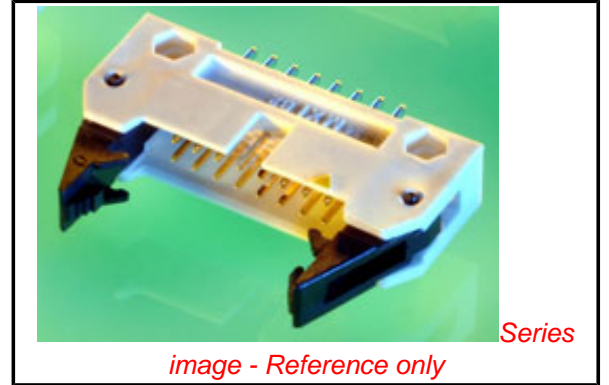


image - Reference only

EU RoHS

ELV and RoHS Compliant
REACH SVHC Contains SVHC: No
Halogen-Free Status
Not Reviewed

China RoHS



Need more information on product environmental compliance?

Email productcompliance@molex.com
 For a multiple part number RoHS Certificate of Compliance, [click here](#)

Please visit the [Contact Us](#) section for any non-product compliance questions.

Search Parts in this Series

[90571Series](#)

Mates With

[90635 QF-50™ Female Housing](#)

Wire/Cable Type

Ribbon Cable

Electrical

Current - Maximum per Contact

1A

Voltage - Maximum

250V

Solder Process Data

Lead-free Process Capability

Wave Capable (TH only)

Material Info

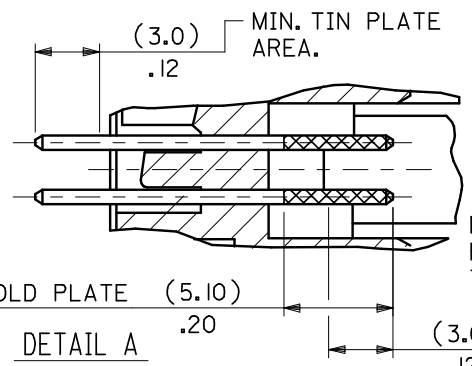
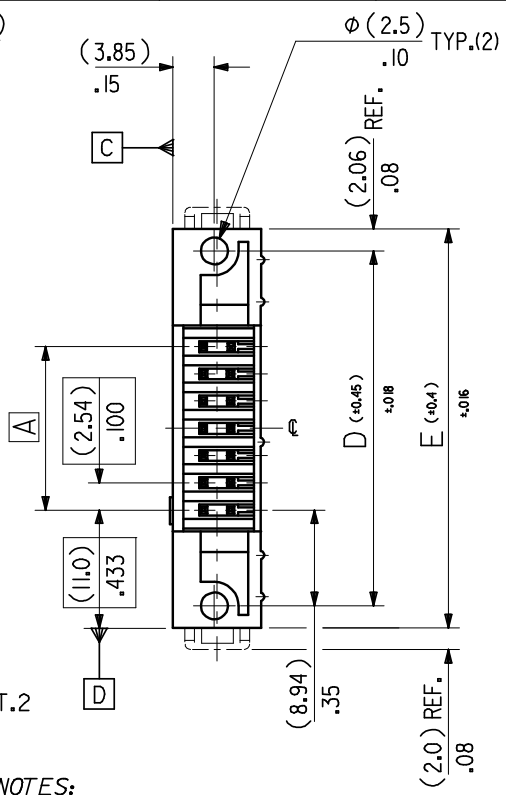
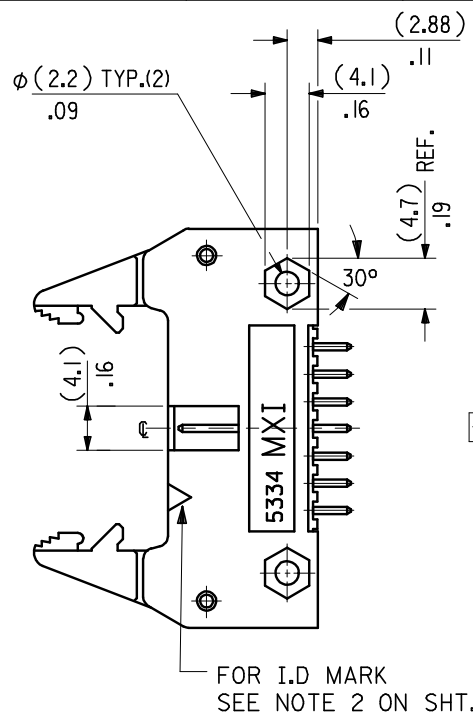
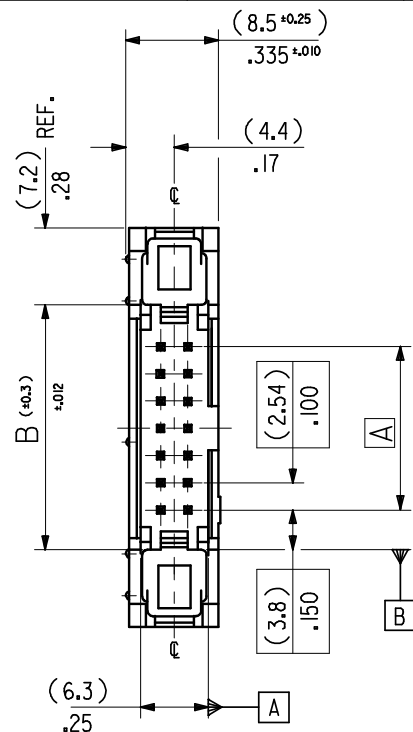
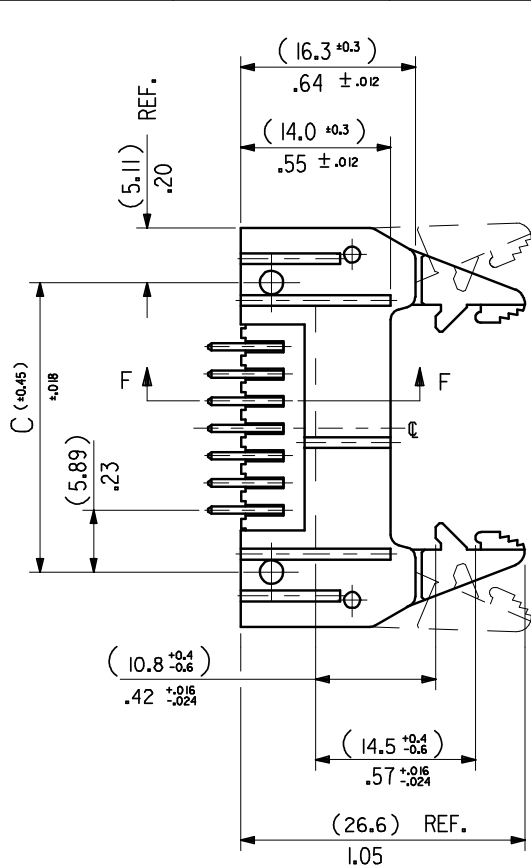
Reference - Drawing Numbers

Sales Drawing

SDA-90571

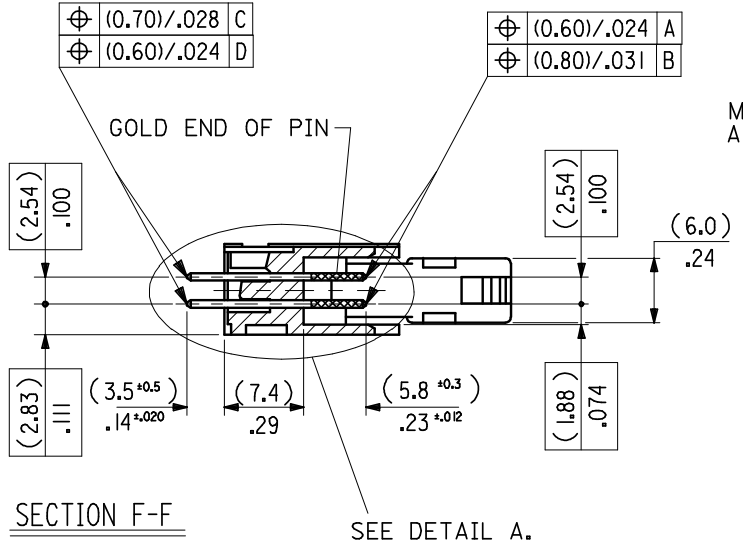
This document was generated on 06/08/2010

PLEASE CHECK WWW.MOLEX.COM FOR LATEST PART INFORMATION

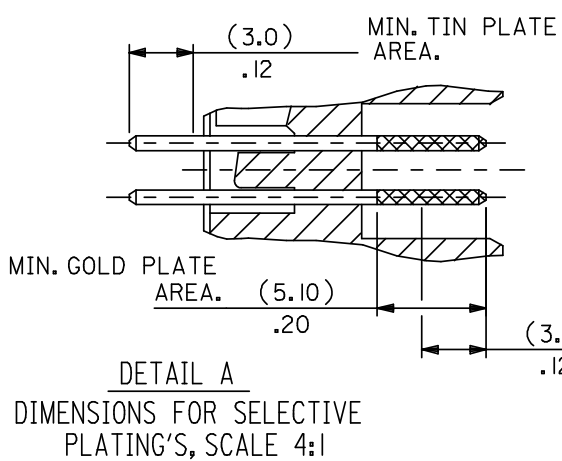
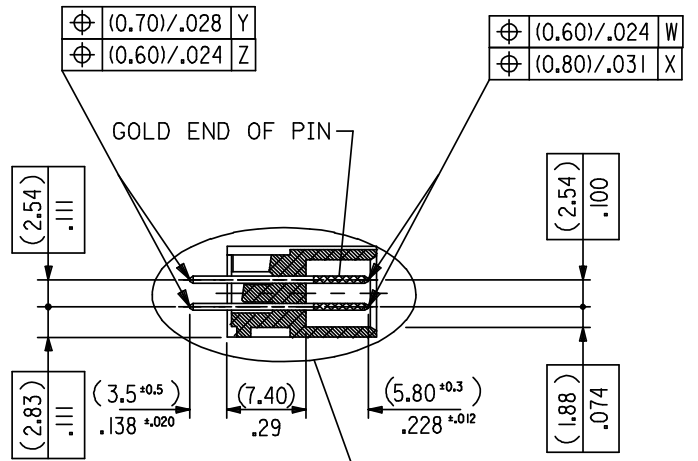
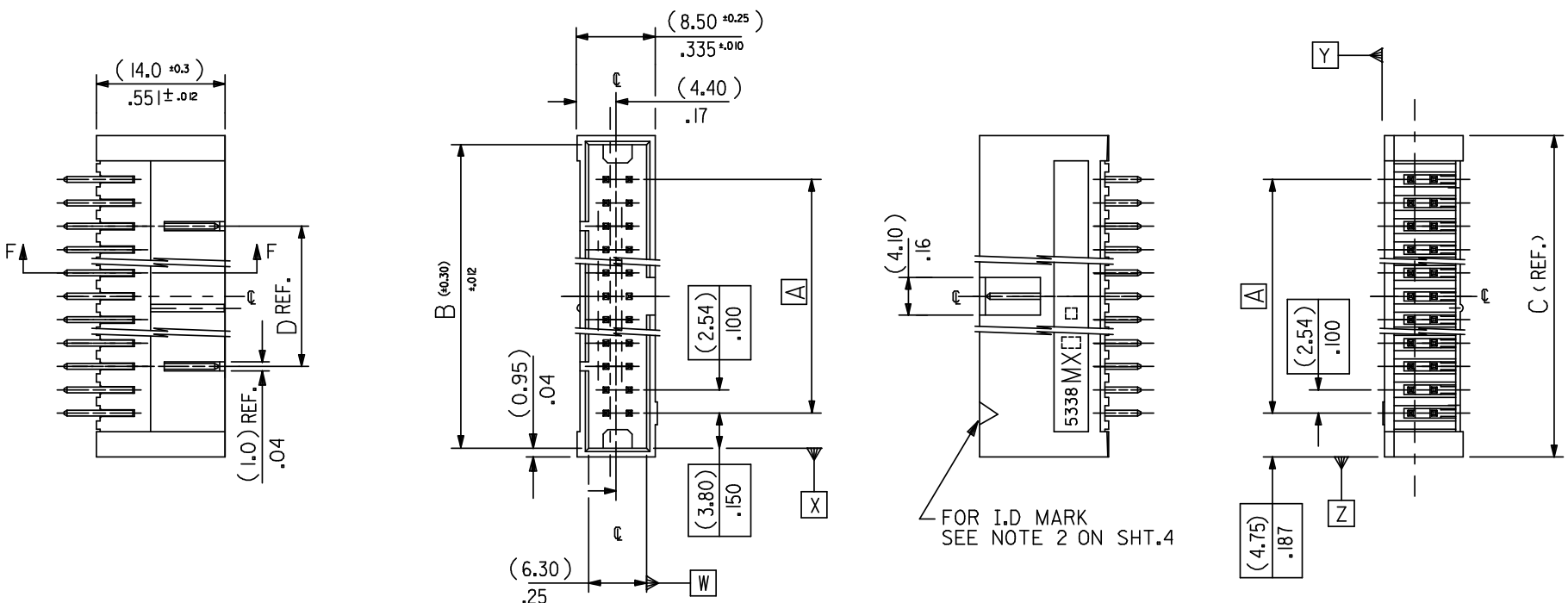


DIMENSIONS FOR SELECTIVE PLATING'S, SCALE 4:1

- NOTES:
- 1: FOR MATERIAL SPECIFICATION SEE NOTE 1. ON SHEET 2.
 - 2: FOR RECOMMENDED P.C.B.HOLE PATTERN, PART No's AND UNSTATED DIMENSIONS SEE SHEET 2.
 - 3: PRODUCT SPEC. No. :PS 99020-0015



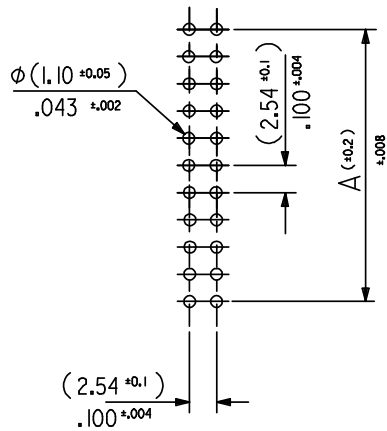
CHANGED GEN TOL. EC NO: E2008-0461 DRWN:ILK ERNAN 2008/03/05 CHKD: 2008/03/06 APPR:BMAGUIRE 2008/03/06	QUALITY SYMBOLS ▼ = ▽ =	GENERAL TOLERANCES (UNLESS SPECIFIED)		DIMENSION STYLE IN/MM	SCALE 2:1	DESIGN UNITS INCH	THIRD ANGLE PROJECTION		
		4 PLACES ± --- ±	3 PLACES ± ±	DRAWN BY SM	DATE 3 /8/90	TITLE QIK FLECS WIPE FEMALE			
REV	DESCRIPTION	2 PLACES ±0.15 ±.005	1 PLACE ±0.02 ±.008	CHECKED BY X	DATE	MOLEX INCORPORATED			
		ANGULAR ±1/2°		APPROVED BY X	DATE	DOCUMENT NO. SDA-90571	SHEET NO. 1 OF 4		
DRAFT WHERE APPLICABLE MUST REMAIN WITHIN DIMENSIONS				MATERIAL NO.	THIS DRAWING CONTAINS INFORMATION THAT IS PROPRIETARY TO MOLEX INCORPORATED AND SHOULD NOT BE USED WITHOUT WRITTEN PERMISSION				



- NOTES:
- FOR MATERIAL SPECIFICATION SEE NOTE 1. ON SHEET 4.
 - FOR RECOMMENDED P.C.B.HOLE PATTERN, PART No's AND UNSTATED DIMENSIONS SEE SHEET 4.
 - PRODUCT SPEC. No. : PS-99020-0015

CHANGED GEN TOL. EC NO: E2008-0461 DRWN: LK/ERNAN 2008/03/05 CHKD: 2008/03/06 APPR: BYAGUIRE 2008/03/06	QUALITY SYMBOLS	GENERAL TOLERANCES (UNLESS SPECIFIED)	DIMENSION STYLE	SCALE	DESIGN UNITS	THIRD ANGLE PROJECTION
	▽ =	mm INCH	IN/MM	2:1	INCH	◎ □
	∇ =	4 PLACES ± --- ±	DRAWN BY DATE	SM	3/8/90	TI
		3 PLACES ± ±	CHECKED BY DATE			GIK FLECS HEADER FOR IMPROVED WIPE FEMALE
	2 PLACES ±0.15 ±.005	APPROVED BY DATE				
	1 PLACE ±0.20 ±.008					
	ANGULAR ±1/2°					
	DRAFT WHERE APPLICABLE MUST REMAIN WITHIN DIMENSIONS	MATERIAL NO.	SEE CHART	DOCUMENT NO.	SDA-90571	SHEET NO. 3 OF 4
		SIZE	A3	THIS DRAWING CONTAINS INFORMATION THAT IS PROPRIETARY TO MOLEX INCORPORATED AND SHOULD NOT BE USED WITHOUT WRITTEN PERMISSION		

(78.74)/3.100	(86.34)/3.400	(88.24)/3.474	(63.50)/2.500	90571-2641	90571-2642	90571-2643	—————	64
(73.66)/2.900	(81.26)/3.200	(83.16)/3.274	(50.80)/2.000	↑ -2601	↑ -2602	↑ -2603	—————	60
(60.96)/2.400	(68.56)/2.700	(70.46)/2.774	(38.10)/1.500	-2501	-2502	-2503	90571-2509	50
(48.26)/1.900	(55.86)/2.200	(57.76)/2.274	(33.02)/1.300	-2401	-2402	-2403	↑ -2409	40
(40.64)/1.600	(48.24)/1.900	(50.14)/1.974	(30.48)/1.200	-2341	-2342	-2343	-2349	34
(35.56)/1.400	(43.16)/1.700	(45.06)/1.774	(25.40)/1.000	-2301	-2302	-2303	-2309	30
(30.48)/1.200	(38.08)/1.500	(39.98)/1.574	—————	-2261	-2262	-2263	-2269	26
(22.86)/.900	(30.46)/1.200	(32.36)/1.274	—————	-2201	-2202	-2203	-2209	20
(17.78)/.700	(25.38)/1.000	(27.28)/1.074	—————	-2161	-2162	-2163	-2169	16
(15.24)/.600	(22.84)/.900	(24.74)/.974	—————	↓ -2141	↓ -2142	↓ -2143	↓ -2149	14
(10.16)/.400	(17.76)/.700	(19.66)/.774	—————	90571-2101	90571-2102	90571-2103	90571-2109	10
A	B	C	D	ENG. NO. GS1 PLATING	ENG. NO. GS2 PLATING	ENG. NO. GS3 PLATING	ENG. NO. PRE TIN	NO.OF CKTS.



RECOMMENDED P.C.B.HOLE PATTERN.

NOTES

1.MATERIAL

HEADER : GLASS FILLED POLYESTER (UL 94V0), COLOUR - BLACK.
PINS : BRASS SIZE \square (0.635)/.025 .

2.COLOUR IDENTIFICATION MARK FOR PLATING OPTIONS.

90571-2**1, (1um)/39uin MIN. NICKEL UNDERPLATE. CONTACT AREA
GS1 PLATING (0.1um)/4uin MIN. GOLD. SOLDER AREA (3um)/118uin MIN.
TIN. COLOUR MARK: YELLOW.

90571-2**2, (1um)/39uin MIN. NICKEL UNDERPLATE. CONTACT AREA
GS2 PLATING (0.76um)/30uin MIN. GOLD. SOLDER AREA (3um)/118uin MIN.
TIN. COLOUR MARK: BROWN.

90571-2**3, (1um)/39uin MIN. NICKEL UNDERPLATE. CONTACT AREA
GS3 PLATING (0.25um)/10uin MIN. GOLD. SOLDER AREA (3um)/118uin MIN.
TIN. COLOUR MARK: BLUE.

90571-2**9, (0.5-1um)/20-40uin NICKEL UNDER (1.0-3.0um)/39-118uin TIN.
PRE-TIN COLOUR MARK: BLACK, (NO MARK).

3. RECOMMENDED PCB THICKNESS 1.6mm

CHANGED GEN TOL EC NO: E2008-0461 DRWN:ILK/ERNAN 2008/03/05 CHKD: 2008/03/06 APPR:BMAGUIRE 2008/03/06	QUALITY SYMBOLS = =	GENERAL TOLERANCES (UNLESS SPECIFIED)		DIMENSION STYLE IN/MM	SCALE 2:1	DESIGN UNITS INCH	THIRD ANGLE PROJECTION		
		4 PLACES \pm --- \pm	mm INCH	DRAWN BY SM	DATE 3/8/90	QIK FLECS HEADER FOR IMPROVED WIPE FEMALE			
		3 PLACES \pm \pm		CHECKED BY	DATE				
		2 PLACES ± 0.15 $\pm .005$		APPROVED BY	DATE	MOLEX INCORPORATED			
1 PLACE ± 0.20 $\pm .008$	ANGULAR $\pm 1/2^\circ$	MATERIAL NO. SEE CHART	DOCUMENT NO. SDA-90571	SHEET NO. 4 OF 4					
DRAFT WHERE APPLICABLE MUST REMAIN WITHIN DIMENSIONS		SIZE A3		THIS DRAWING CONTAINS INFORMATION THAT IS PROPRIETARY TO MOLEX INCORPORATED AND SHOULD NOT BE USED WITHOUT WRITTEN PERMISSION					