

## FEATURES

- *Guaranteed* Max. Offset 5 $\mu$ V
- *Guaranteed* Max. Offset Drift 0.05 $\mu$ V/°C
- Typ. Offset Drift 0.01 $\mu$ V/°C
- Excellent Long Term Stability 100nV/ $\sqrt{\text{Month}}$
- *Guaranteed* Max. Input Bias Current 30pA
- Over Operating Temperature Range
  - Guaranteed* Min. Gain 120dB
  - Guaranteed* Min. CMRR 120dB
  - Guaranteed* Min. PSRR 120dB
- Single Supply Operation 4.75V to 16V  
 (Input Voltage Range Extends to Ground)
- External Capacitors can be Returned to V<sup>-</sup> with No Noise Degradation

## APPLICATIONS

- Thermocouple Amplifiers
- Strain Gauge Amplifiers
- Low Level Signal Processing
- Medical Instrumentation

## DESCRIPTION

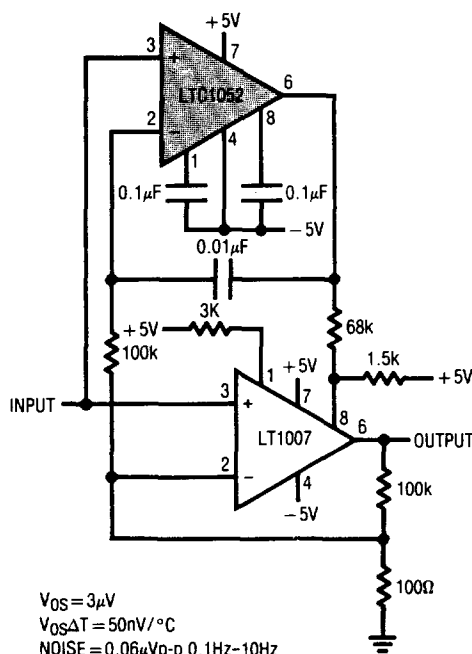
The LTC1052 and LTC7652 are low noise Chopper-stabilized op amps (CSOA™) manufactured using Linear Technology's enhanced LTCMOS™ silicon gate process. Chopper-stabilization constantly corrects offset voltage errors. Both initial offset and changes in the offset due to time, temperature and common-mode voltage are corrected. This, coupled with picoampere input currents, gives these amplifiers unmatched performance.

Low frequency (1/f) noise is also improved by the chopping technique. Instead of increasing continuously at a 3dB/octave rate, the internal chopping causes noise to decrease at low frequencies.

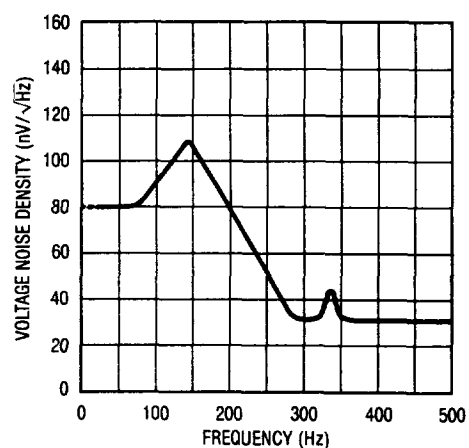
The chopper circuitry is entirely internal and completely transparent to the user. Only two external capacitors are required to alternately sample and hold the offset correction voltage and the amplified input signal. Control circuitry is brought out on the 14-pin version to allow the sampling of the LTC1052 to be synchronized with an external frequency source.

2

Ultra Low Noise, Low Drift Amplifier



LTC1052 Noise Spectrum



CSOA™ and LTCMOS™ are trademarks of Linear Technology Corporation.  
 Teflon™ is a trademark of DuPont.

## ABSOLUTE MAXIMUM RATINGS

(Notes 1 and 2)

Total Supply Voltage ( $V^+$ to $V^-$ )	18V
Input Voltage	( $V^+ + 0.3V$ ) to ( $V^- - 0.3V$ )
Output Short Circuit Duration	Indefinite
Operating Temperature Range	
LTC1052C/LTC7652C	-40°C to 85°C
LTC1052M	-55°C to 125°C
Storage Temperature Range	-55°C to 150°C
Lead Temperature (Soldering, 10 sec.)	300°C

## PACKAGE/ORDER INFORMATION

TOP VIEW	ORDER PART NUMBER	REPLACES
<p>METAL CAN H PACKAGE</p>	LTC7652CH	ICL7652CTV ICL7652ITV ICL7650CTV-1 ICL7650ITV-1
	LTC1052CH	ICL7650CTV ICL7650ITV
	LTC1052MH	ICL7650MTV
<p>HERMETIC DIP J8 PACKAGE PLASTIC DIP N8 PACKAGE</p>	LTC1052CN8 LTC1052CJ8 LTC1052MJ8	ICL7650CPA ICL7650IJA
<p>HERMETIC DIP J14 PACKAGE PLASTIC DIP N14 PACKAGE</p>	LTC1052CJ  LTC1052CN  LTC1052MJ	ICL7652IJD ICL7650IJD  ICL7652CPD ICL7650CPD  ICL7650MJD

## ELECTRICAL CHARACTERISTICS

$V_S = \pm 5V$ ,  $T_A =$  operating temperature range, test circuit TC1, unless otherwise specified.

SYMBOL	PARAMETER	CONDITIONS	LTC1052M			LTC1052C/LTC7652C			UNITS
			MIN	TYP	MAX	MIN	TYP	MAX	
$V_{OS}$	Input Offset Voltage	$T_A = 25^\circ C$ (Note 3)	$\pm 0.5$	$\pm 5$		$\pm 0.5$	$\pm 5$		$\mu V$
$\Delta V_{OS}/\Delta Temp$	Average Input Offset Drift	(Note 3)	$\pm 0.01$	$\pm 0.05$		$\pm 0.01$	$\pm 0.05$		$\mu V/^\circ C$
$\Delta V_{OS}/\Delta Time$	Long Term Offset Voltage Stability			100			100		nV/ $\sqrt{Month}$
$I_{OS}$	Input Offset Current	$T_A = 25^\circ C$	$\pm 5$	$\pm 30$		$\pm 5$	$\pm 30$		pA
$I_B$	Input Bias Current	$T_A = 25^\circ C$	$\pm 1$	$\pm 30$		$\pm 1$	$\pm 30$		pA
$e_{np-p}$	Input Noise Voltage	$R_S = 100\Omega$ , DC to 10Hz, TC3 $R_S = 100\Omega$ , DC to 1Hz, TC3		1.5 0.5			1.5 0.5		$\mu Vp-p$ $\mu Vp-p$
$i_n$	Input Noise Current	$f = 10Hz$ (Note 5)		0.6			0.6		fA/ $\sqrt{Hz}$
CMRR	Common-Mode Rejection Ratio	$V_{CM} = V^-$ to $+2.7V$	120	140		120	140		dB
PSRR	Power Supply Rejection Ratio	$V_{SUPPLY} = \pm 2.375V$ to $\pm 8V$	120	150		120	150		dB
$A_{VOL}$	Large Signal Voltage Gain	$R_L = 10k$ , $V_{OUT} = \pm 4V$	120	150		120	150		dB
$V_{OUT}$	Maximum Output Voltage Swing (Note 4)	$R_L = 10k$ $R_L = 100k$	$\pm 4.7$	$\pm 4.85$ $\pm 4.95$		$\pm 4.7$	$\pm 4.85$ $\pm 4.95$		V V
SR	Slew Rate	$R_L = 10k$ , $C_L = 50pF$		4			4		V/ $\mu s$
GBW	Gain Bandwidth Product			1.2			1.2		MHz
$I_S$	Supply Current	No Load, $T_A = 25^\circ C$		1.7	2.0 3.0		1.7	2.0 3.0	mA mA
$f_S$	Internal Sampling Frequency			330			330		Hz
	Clamp On Current	$R_L = 100k$	25	100		25	100		$\mu A$
	Clamp Off Current	$-4V < V_{OUT} < +4V$		10	100 2		10	100 1	pA nA

The ● denotes the specifications which apply over the full operating temperature range.

**Note 1:** Absolute Maximum Ratings are those values beyond which the life of the device may be impaired.

**Note 2:** Connecting any terminal to voltages greater than  $V^+$  or less than  $V^-$  may cause destructive latch-up. It is recommended that no sources operating from external supplies be applied prior to power-up of the LTC1052/LTC7652.

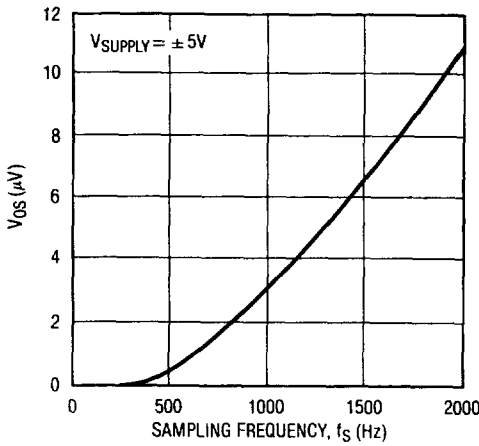
**Note 3:** These parameters are guaranteed by design. Thermocouple effects preclude measurement of these voltage levels in high speed automatic testing.  $V_{OS}$  is measured to a limit determined by test equipment capability. Voltages on  $C_{EXTA}$  and  $C_{EXTB}$ ,  $A_{VOL}$ ,  $CMRR$  and  $PSRR$  are measured to insure proper operation of the nulling loop to insure meeting the  $V_{OS}$  and  $V_{OS}$  drift specifications. See Package-Induced  $V_{OS}$  in applications section.

**Note 4:** Output clamp not connected.

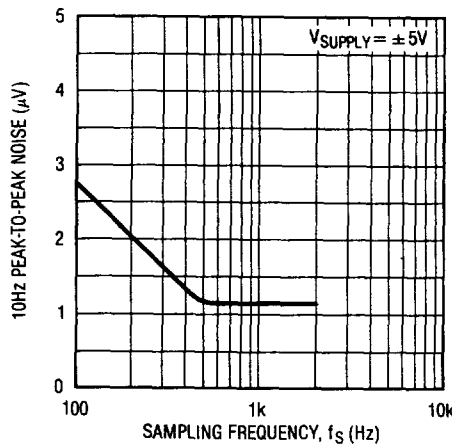
**Note 5:** Current noise is calculated from the formula:  $i_n = (2q I_B)^{1/2}$ , where  $q = 1.6 \times 10^{-19}$  coulomb.

## TYPICAL PERFORMANCE CHARACTERISTICS

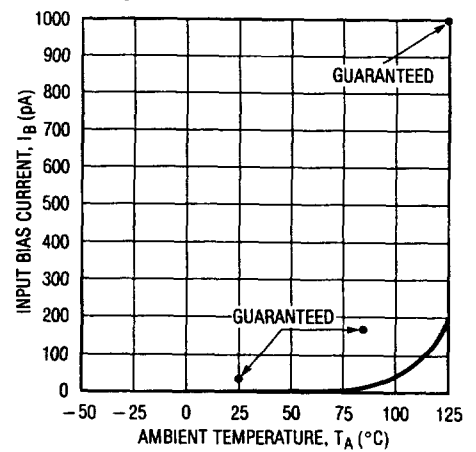
**Offset Voltage vs Sampling Frequency**



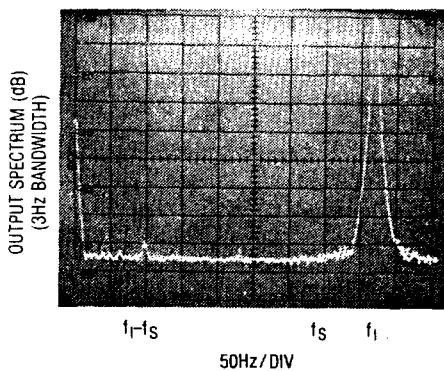
**10Hzp-p Noise vs Sampling Frequency**



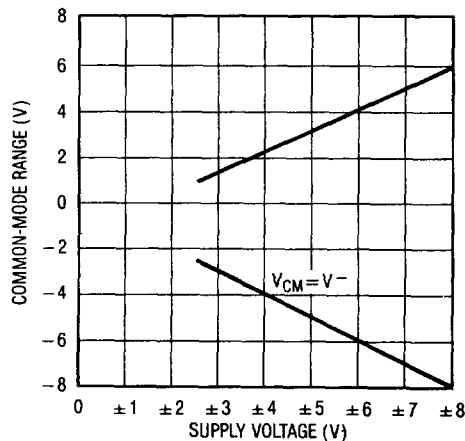
**Input Bias Current vs Temperature**



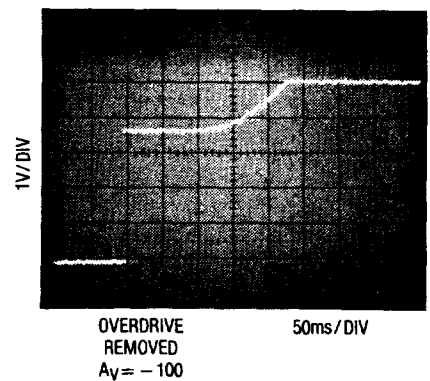
**Aliasing Error**



**Common-Mode Input Range vs Supply Voltage**

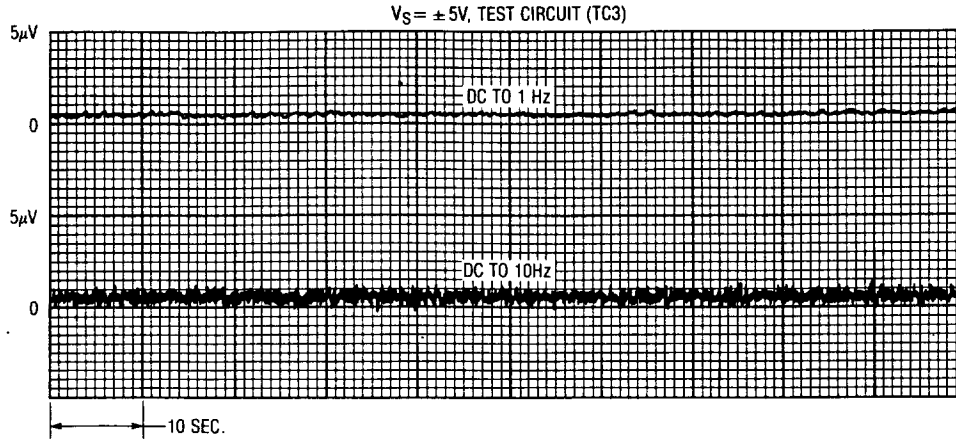


**Overload Recovery (Output Clamp Not Used)**



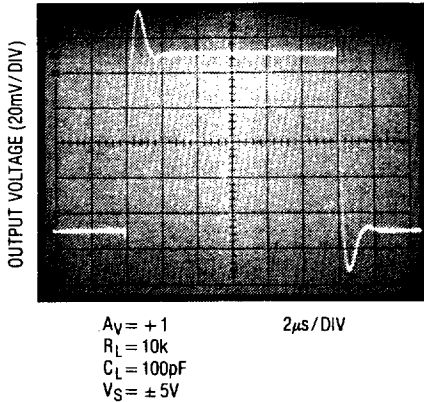
TYPICAL PERFORMANCE CHARACTERISTICS

Input Noise Voltage

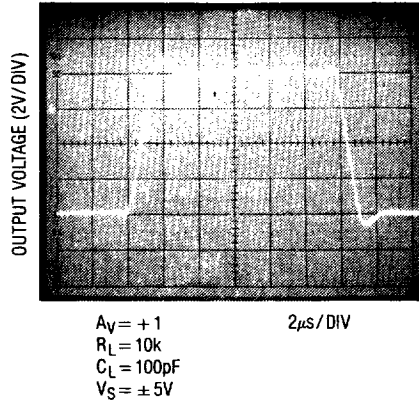


2-43

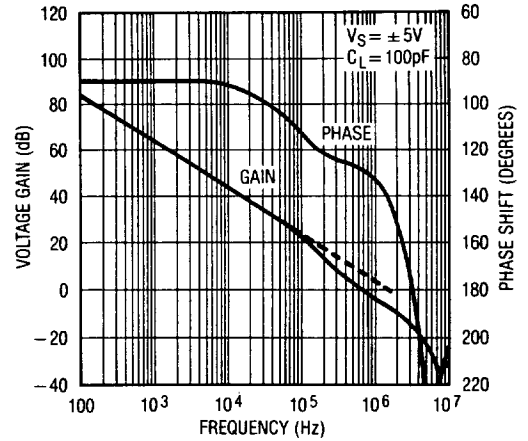
Small Signal Transient Response\*



Large Signal Transient Response\*

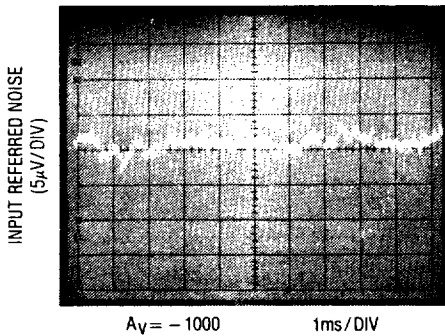


Gain Phase vs Frequency

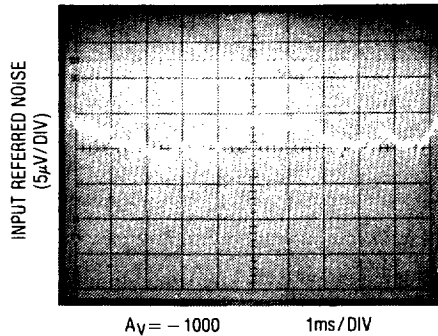


\*RESPONSE IS NOT DEPENDENT ON PHASE OF CLOCK

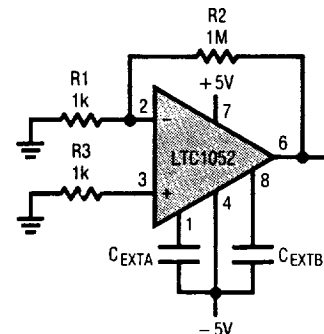
Broadband Noise,  $C_{EXT} = 0.1\mu F$



Broadband Noise,  $C_{EXT} = 1.0\mu F$

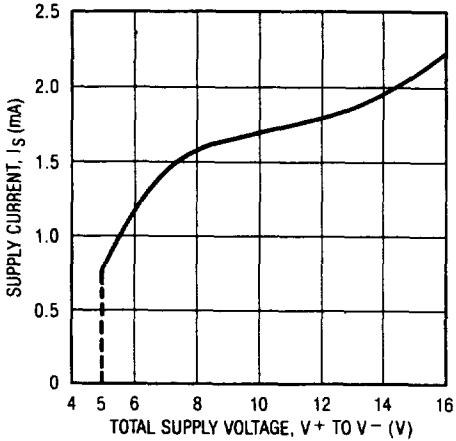


Broadband Noise Test Circuit (TC2)

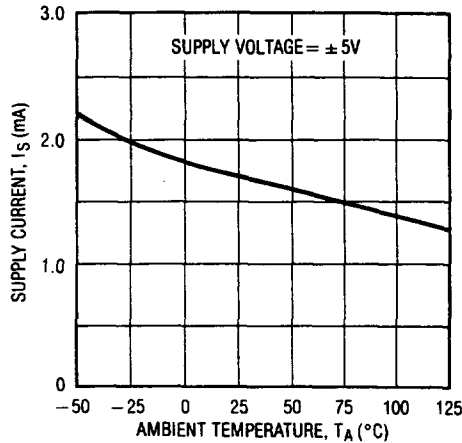


# TYPICAL PERFORMANCE CHARACTERISTICS

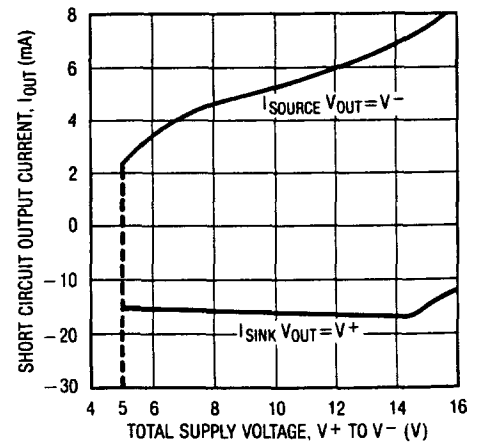
**Supply Current vs Supply Voltage**



**Supply Current vs Temperature**

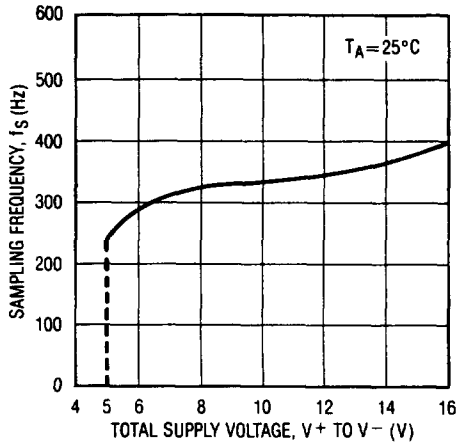


**Output Short Circuit Current vs Supply Voltage**

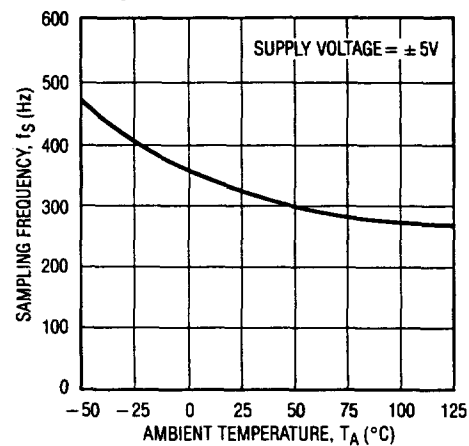


2

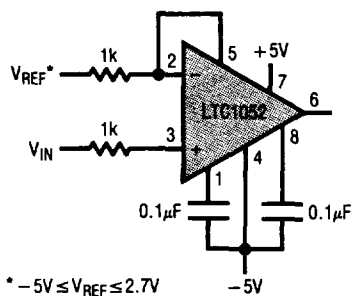
**Sampling Frequency vs Supply Voltage**



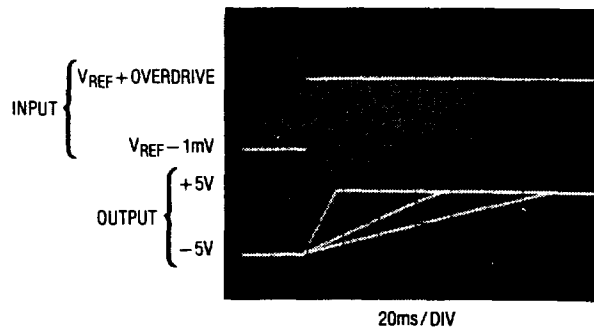
**Sampling Frequency vs Temperature**



**Comparator Operation**

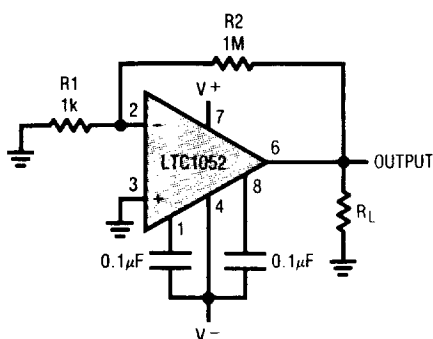


**Response Time vs Overdrive**

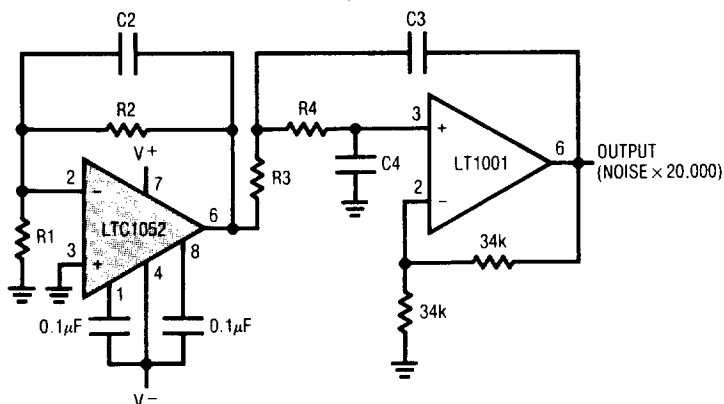


## TEST CIRCUITS

Electrical Characteristics Test Circuit (TC1)



DC to 10Hz and DC to 1Hz Noise Test Circuit (TC3)



BANDWIDTH	R1	R2	R3	R4	C2	C3	C4
10Hz	16.2Ω	162k	16.2k	16.2k	0.1µF	1.0µF	1.0µF
1Hz	16.2Ω	162k	162k	162k	1.0µF	1.0µF	1.0µF

## THEORY OF OPERATION

### DC OPERATION

The shaded portion of the LTC1052 block diagram (Figure 1) entirely determines the amplifier's DC characteristics. During the auto-zero portion of the cycle, the inputs are shorted together and a feedback path is closed around the input stage to null its offset. Switch S2 and capacitor C<sub>EXTA</sub> act as a sample and hold to store the nulling voltage during the next step—the sampling cycle.

In the sampling cycle, the zeroed amplifier is used to amplify the differential input voltage. Switch S2 connects the amplified input voltage to C<sub>EXTB</sub> and the output gain stage. C<sub>EXTB</sub> and S2 act as a sample and hold to store the amplified input signal during the auto-zero cycle. By switching between these two states at a frequency much higher than the signal frequency, a continuous output results.

Notice that during the auto-zero cycle the inputs are not only shorted together, but are also shorted to the negative input. This forces nulling with the common-mode voltage present and accounts for the extremely high CMRR of the LTC1052. In the same fashion, variations in power supply are also nulled. For nulling to take place, the offset voltage, common-mode voltage and power supply must not change at a frequency which is high compared to the frequency response of the nulling loop.

### AC OPERATION AND ALIASING ERRORS

So far, the DC performance of the LTC1052 has been explained. As the input signal frequency increases, the problem of aliasing must be addressed. Aliasing is the spurious formation of low and high frequency signals caused by the mixing of the input signal with the sampling frequency, f<sub>s</sub>. The frequency of the error signals, f<sub>E</sub>, is:

$$f_E = f_s \pm f_i$$

where f<sub>i</sub> = input signal frequency.

Normally it is the difference frequency (f<sub>s</sub> - f<sub>i</sub>) which is of concern because the high frequency (f<sub>s</sub> + f<sub>i</sub>) can be easily filtered. As the input frequency approaches the sampling frequency, the difference frequency approaches zero and will cause DC errors—the exact problem that the chopping amplifier is meant to eliminate.

The solution is simple. Filter the input so the sampling loop never sees any frequency near the sampling frequency.

At a frequency well below the sampling frequency, the LTC1052 forces I<sub>1</sub> to equal I<sub>2</sub> (see Figure 1B). This makes δI zero, thus the gain of the sampling loop zero at this and higher frequencies—i.e., a low pass filter. The corner frequency of this low pass filter is set by the output stage pole (1/RL4 gm5 RL5 C2).

## THEORY OF OPERATION

For frequencies above this pole,  $I_2$  is:

$$I_2 = V_{IN} g_{m6} \times \frac{1}{SC_2} \times SC_1$$

and

$$I_1 - I_2 = V_{IN} g_{m1} - V_{IN} g_{m6} \times \frac{C_1}{C_2}.$$

The LTC1052 is very carefully designed so that  $g_{m1} = g_{m6}$  and  $C_1 = C_2$ . Substituting these values in the above equation shows  $I_1 - I_2 = 0$ .

The  $g_{m6}$  input stage, with  $C_1$  and  $C_2$ , not only filters the input to the sampling loop, but also acts as a high frequency path to give the LTC1052 good high frequency response. The unity-gain cross frequencies for both the DC path and high frequency path are identical

$$[f_{3dB} = \frac{1}{2\pi} (g_{m1}/C_1) = \frac{1}{2\pi} (g_{m6}/C_2)].$$

This makes the frequency response smooth and continuous and eliminates sampling noise in the output as the loop transitions from the high gain DC loop to the high frequency loop.

The typical curves show just how well the amplifier works. The output spectrum shows the difference frequency ( $f_1 - f_s = 100\text{Hz}$ ) is down by 80dB and the frequency response curve shows no abnormalities or perturbations. Also note the well-behaved small and large signal step responses and the absence of the sampling frequency in the output spectrum. If the dynamics of the amplifier, i.e., slew rate and overshoot, depend on the sampling clock, the sampling frequency will appear in the output spectrum.

2

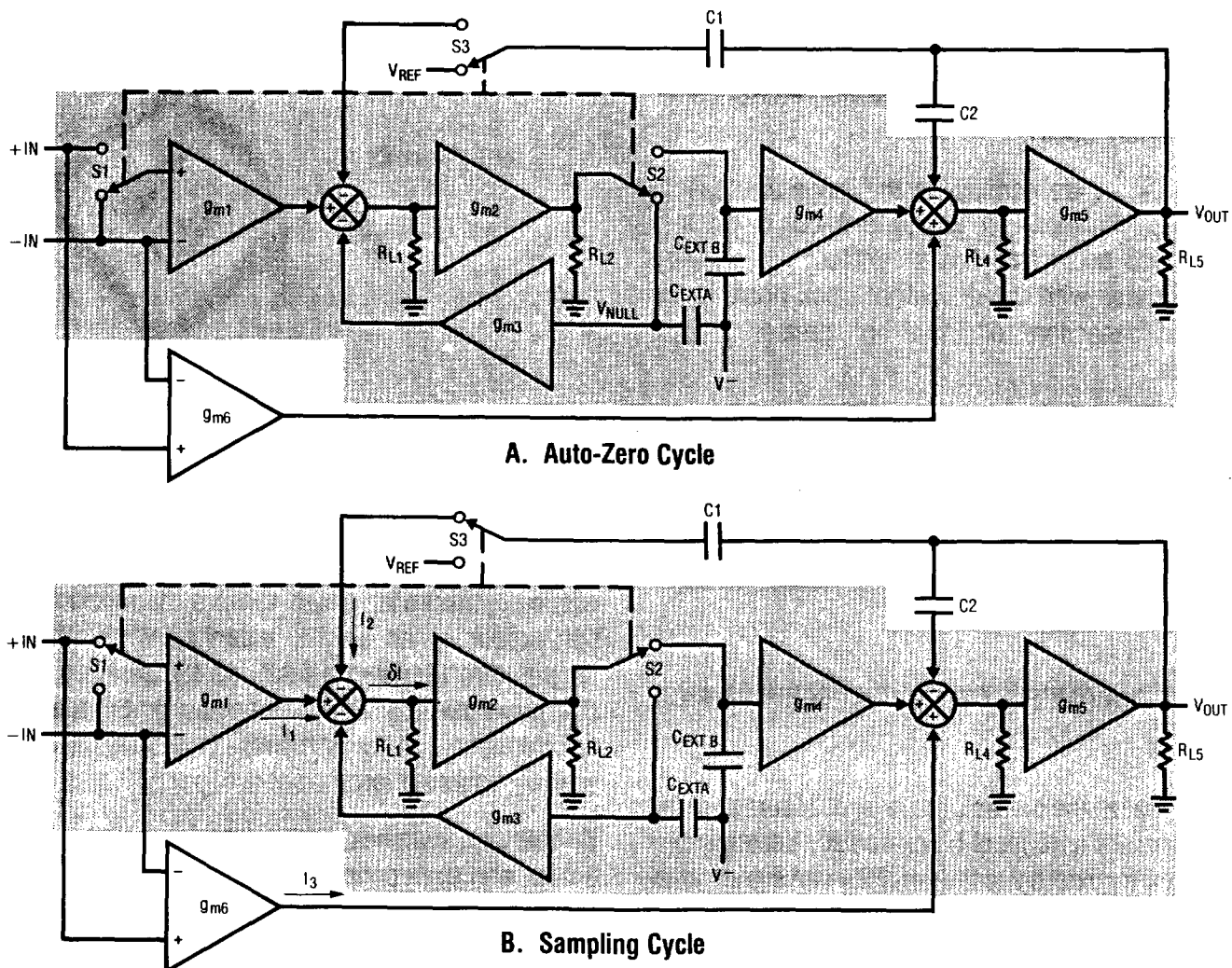


Figure 1. LTC1052 Block Diagram

## APPLICATIONS INFORMATION

### EXTERNAL CAPACITORS

C<sub>EXTA</sub> and C<sub>EXTB</sub> are the holding elements of a sample and hold circuit. The important capacitor characteristics are leakage current and dielectric absorption. A high quality film-type capacitor such as mylar or polypropylene provides excellent performance. However, low grade capacitors such as ceramic are suitable in many applications.

Capacitors with very high dielectric absorption (ceramic) can take several seconds to settle after power is first turned on. This settling appears as clock ripple on the output and, as the capacitor settles, the ripple gradually disappears. If fast settling after power turn-on is important, mylar or polypropylene is recommended.

Above 85°C, leakage, both from the holding capacitors and the printed circuit board, becomes important. To maintain the capabilities of the LTC1052 it may be necessary to use Teflon™ capacitors and Teflon standoffs when operating at 125°C (see Achieving Picoampere/Microvolt Performance).

C<sub>EXTA</sub> and C<sub>EXTB</sub> are normally in the range of 0.1μF to 1.0μF. All specifications are guaranteed with 0.1μF and the broadband noise (see typical photos) is only very slightly degraded with 0.1μF. Output clock ripple is not present for capacitors of 0.1μF or greater at any temperature.

**On competitive devices, connecting C<sub>EXTA</sub> and C<sub>EXTB</sub> to V<sup>-</sup> causes an increase in amplifier noise. Design changes have eliminated this problem on the LTC1052. On the 14-pin LTC1052 and 8-pin LTC7652, the capacitors can be returned to V<sup>-</sup> or C<sub>RETURN</sub> with no change in noise performance.**

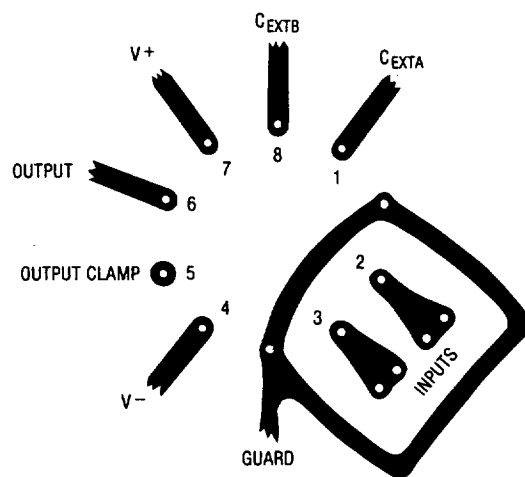
### ACHIEVING PICOAMPERE/MICROVOLT PERFORMANCE

#### Picoamperes

In order to realize the picoampere level of accuracy of the LTC1052, proper care must be exercised. Leakage currents in circuitry external to the amplifier can significantly degrade performance. High quality insulation should be used (e.g., Teflon, Kel-F); cleaning of all insulating surfaces to remove fluxes and other residues will probably be

necessary—particularly for high temperature performance. Surface coating may be necessary to provide a moisture barrier in high humidity environments.

Board leakage can be minimized by encircling the input connections with a guard ring operated at a potential close to that of the inputs: in inverting configurations the guard ring should be tied to ground; in non-inverting connections to the inverting input. Guarding both sides of the printed circuit board is required. Bulk leakage reduction depends on the guard ring width.



#### Microvolts

Thermocouple effects must be considered if the LTC1052's ultra low drift is to be fully utilized. Any connection of dissimilar metals forms a thermoelectric junction producing an electric potential which varies with temperature (Seebeck effect). As temperature sensors, thermocouples exploit this phenomenon to produce useful information. In low drift amplifier circuits the effect is a primary source of error.

Connectors, switches, relay contacts, sockets, resistors, solder, and even copper wire are all candidates for thermal EMF generation. Junctions of copper wire from different manufacturers can generate thermal EMFs of 200nV/°C—4 times the maximum drift specification of



## APPLICATIONS INFORMATION

the LTC1052. The copper / kovar junction, formed when wire or printed circuit traces contact a package lead, has a thermal EMF of approximately  $35\mu\text{V}/^\circ\text{C}$ —700 times the maximum drift specification of the LTC1052.

Minimizing thermal EMF-induced errors is possible if judicious attention is given to circuit board layout and component selection. It is good practice to minimize the number of junctions in the amplifier's input signal path. Avoid connectors, sockets, switches and relays where possible. In instances where this is not possible, attempt to balance the number and type of junctions so that differential cancellation occurs. Doing this may involve deliberately introducing junctions to offset unavoidable junctions.

Figure 2 is an example of the introduction of an unnecessary resistor to promote differential thermal balance. Maintaining compensating junctions in close physical proximity will keep them at the same temperature and reduce thermal EMF errors.

When connectors, switches, relays and/or sockets are necessary they should be selected for low thermal EMF activity. The same techniques of thermally balancing and coupling the matching junctions are effective in reducing the thermal EMF errors of these components.

Resistors are another source of thermal EMF errors. Table I shows the thermal EMF generated for different resistors. The temperature gradient across the resistor is important,

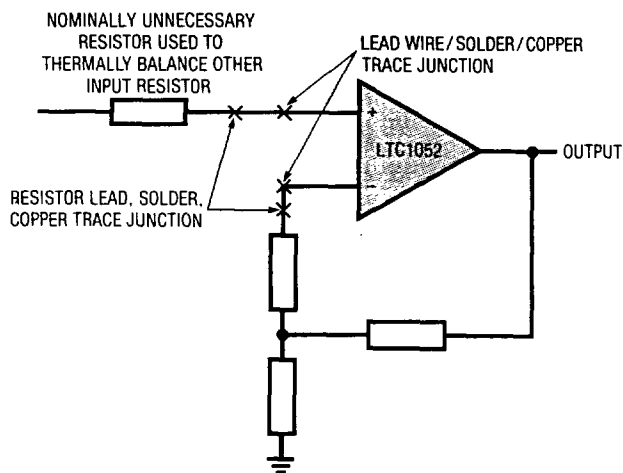
**Table I. Resistor Thermal EMF**

Resistor Type	Thermal EMF/ $^\circ\text{C}$ Gradient
Tin Oxide	$\sim \text{mV}/^\circ\text{C}$
Carbon Composition	$\sim 450\mu\text{V}/^\circ\text{C}$
Metal Film	$\sim 20\mu\text{V}/^\circ\text{C}$
Wire Wound	
Evenohm	$\sim 2\mu\text{V}/^\circ\text{C}$
Manganin	$\sim 2\mu\text{V}/^\circ\text{C}$

not the ambient temperature. There are two junctions formed at each end of the resistor and if these junctions are at the same temperature, their thermal EMFs will cancel each other. The thermal EMF numbers are approximate and vary with resistor value. High values give higher thermal EMF.

When all of these errors are considered, it may seem impossible to take advantage of the extremely low drift specifications of the LTC1052. To show that this is not the case, examine the temperature test circuit of Figure 3. The lead lengths of the resistors connected to the amplifier's inputs are identical. The thermal capacity and thermal resistance each input sees is balanced because of the symmetrical connection of resistors and their identical size. Thermal EMF-induced shifts are equal in phase and amplitude, thus cancellation occurs.

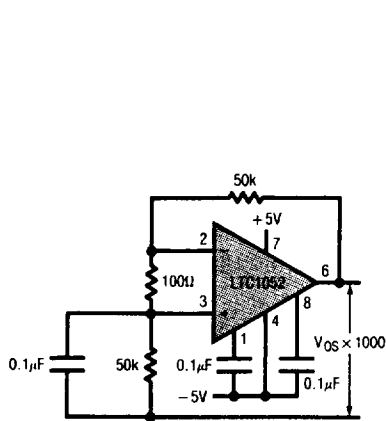
Figure 4 shows the response of this circuit under temperature transient conditions. Metal film resistors and an 8-pin DIP socket were used. Care was taken in the construction to thermally balance the inputs to the amplifier. The units were placed in an oven and allowed to stabilize at  $25^\circ\text{C}$ . The recording was started, and after 100 seconds the oven, pre-set to  $125^\circ\text{C}$ , was switched on. The test was first performed on an 8-pin plastic package and then was repeated for a TO-5 package plugged into the same test board. It is significant that the change in  $V_{OS}$ , even under these severe thermal transient conditions, is quite good. As temperature stabilizes, note that the steady-state change of  $V_{OS}$  is well within the maximum  $\pm 0.05\mu\text{V}/^\circ\text{C}$  drift specification.



**Figure 2**

## APPLICATIONS INFORMATION

Very slight air currents can still affect even this arrangement. Figure 5 shows strip charts of output noise with the circuit covered and with no cover in "still" air. This data illustrates why it is often prudent to enclose the LTC1052 and its attendant components inside some form of thermal baffle.



### PACKAGE-INDUCED OFFSET VOLTAGE

Since the LTC1052 is constantly fixing its own offset, it may be asked why there is any error at all, even under transient temperature conditions. The answer is simple. The LTC1052 can only fix offsets inside its own nulling loop. There are many thermal junctions outside this loop that cannot be distinguished from legitimate signals.

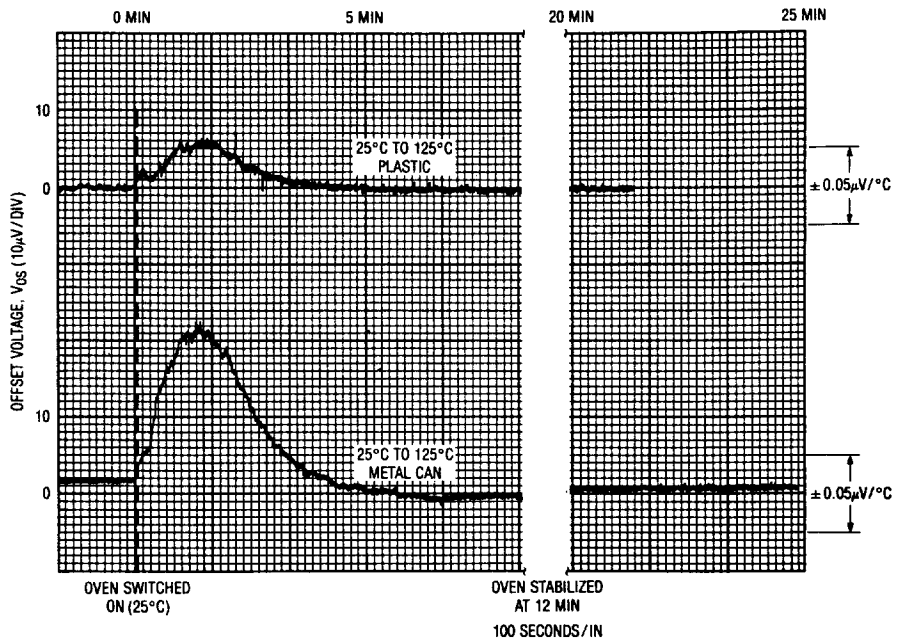


Figure 3. Offset Drift Test Circuit

Figure 4. Transient Response of Offset Drift Test Circuit with 100°C Temperature Step

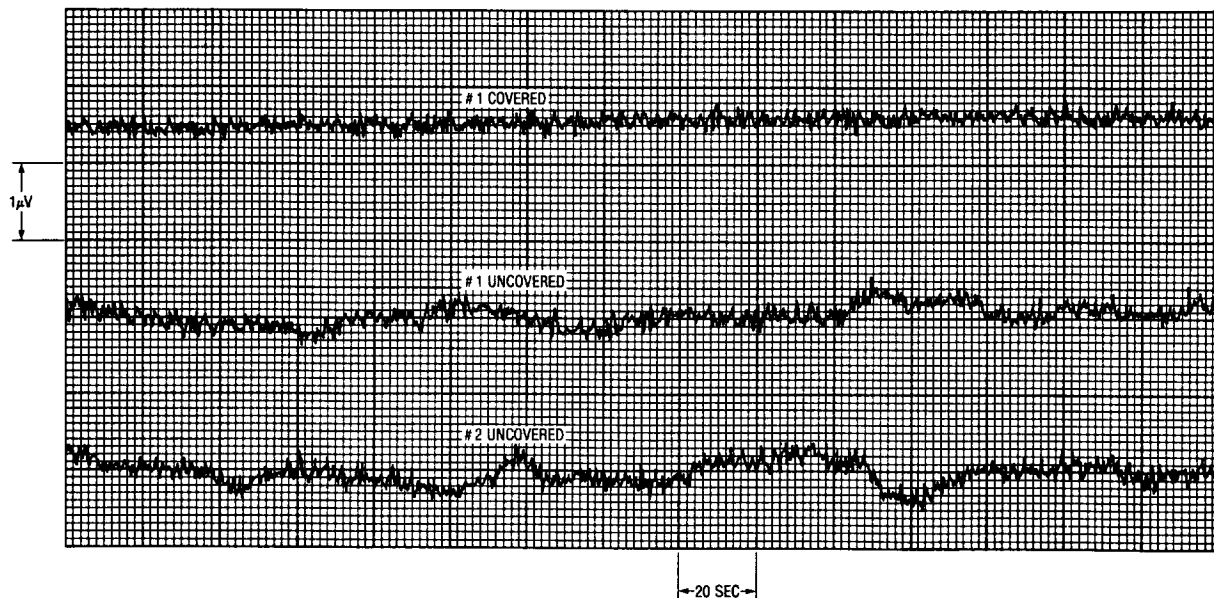


Figure 5. DC to 1Hz (Test Circuit TC3)

## APPLICATIONS INFORMATION

Some have been discussed previously, but the package thermal EMF effects are an important source of errors.

Notice the difference in the thermal response curves of Figure 4. This can only be attributed to the package since everything else is identical. In fact, the  $V_{OS}$  specification is set by the package-induced warm-up drift, not by the LTC1052. TO-99 metal cans exhibit the worst warm-up drift and Linear Technology sample tests TO-99 lots to minimize this problem.

Two things make 100% screening costly: (1) the extreme precision required on the LTC1052 and (2) the thermal time constant of the package is 0.5 to 3 minutes, depending on package type. The first precludes the use of automatic handling equipment and the second takes a long time. Bench test equipment is available to 100% test for warmed-up drift if offsets of less than  $\pm 5\mu V$  are required.

### CLOCK

The LTC1052 has an internal clock, setting the nominal sampling frequency at 330Hz. On 8-pin devices there is no way to control the clock externally. In some applications it may be desirable to control the sampling clock and this is the function of the 14-pin device.

CLK IN, CLK OUT and  $\overline{INT/EXT}$  are provided to accomplish this. With no external connection, an internal pull-up holds  $\overline{INT/EXT}$  at the  $V^+$  supply and the 14-pin device self-oscillates at 330Hz. In this mode there is a signal on the CLK IN pin of 660Hz (2 times sampling frequency) with a 30% duty cycle. A divide-by-two drives the CLK OUT pin and sets the sampling frequency.

To use an external clock, connect  $\overline{INT/EXT}$  to  $V^-$  and the external clock to CLK IN. The logic threshold of CLK IN is 2.5V below the positive supply. This allows CMOS logic to drive it directly with logic supplies of  $V^+$  and ground. CLK IN can be driven from  $V^+$  to  $V^-$  if desired. The duty cycle of the external clock is not particularly critical but should be kept between 30% and 60%.

Capacitance between CLK IN and CLK OUT (pins 13 and 12) can cause the divide-by-two circuit to malfunction. To avoid this, keep this capacitance below 5pF.

### OUTPUT CLAMP

If the LTC1052 is driven into saturation, the nulling loop, attempting to force the differential input voltage to zero, will drive  $C_{EXTA}$  and  $C_{EXTB}$  to a supply rail. After the saturating drive is removed, the capacitors take a finite time to recover—this is the overload recovery time. The overload recovery is longest when the capacitors are driven to the negative rail (see Overload Recovery in typical performance section). The overload recovery time in this case is typically 225ms. In the opposite direction, i.e.,  $C_{EXTA}$  and  $C_{EXTB}$  at positive rail, it is about ten times faster (25ms). The overload recovery time for the LTC1052 is much faster than competitive devices, but if a faster overload recovery time is necessary, the output clamp function can be used.

When the output clamp is connected to the negative input it prevents the amplifier from saturating and thus keeps  $C_{EXTA}$  and  $C_{EXTB}$  at their nominal voltages. The output clamp is a switch that turns on when the output gets to within approximately 1V of either supply rail. This switch is in parallel with the amplifier's feedback resistor and as the output moves closer to the rail, the switch on resistance decreases, reducing the closed loop gain. The output swing is reduced when the clamp function is used.

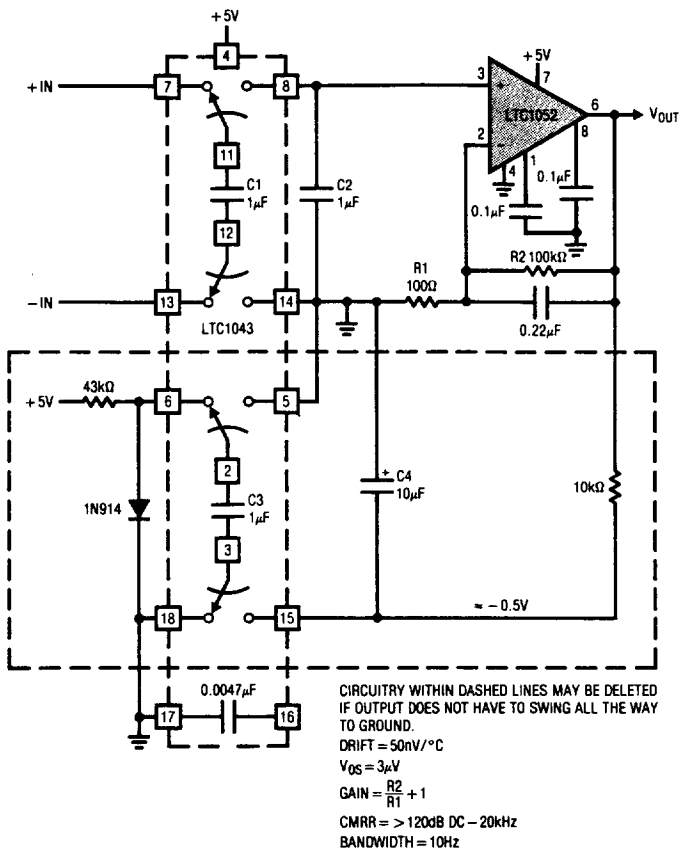
How much current the output clamp leaks when off is important because, when used, it is connected to the amplifier's negative input. Any current acts like input bias current and will degrade accuracy. At the other extreme, the maximum current the clamp conducts when on determines how much overdrive the clamp will take and still keep the amplifier from saturating. Both of these numbers are guaranteed in the table of electrical characteristics.

### LOW SUPPLY OPERATION

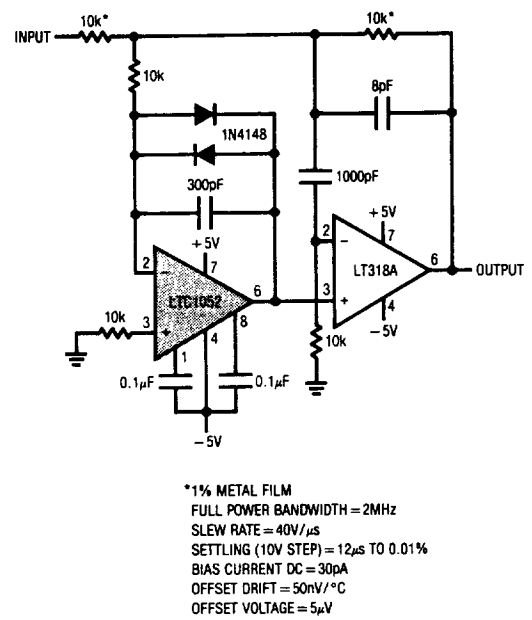
The minimum supply voltage for proper operation of the LTC1052 is typically 4.0V ( $\pm 2.0V$ ). In single supply applications, PSRR is guaranteed down to 4.7V ( $\pm 2.35V$ ). This assures proper operation down to the minimum TTL specified voltage of 4.75V.

# TYPICAL APPLICATIONS

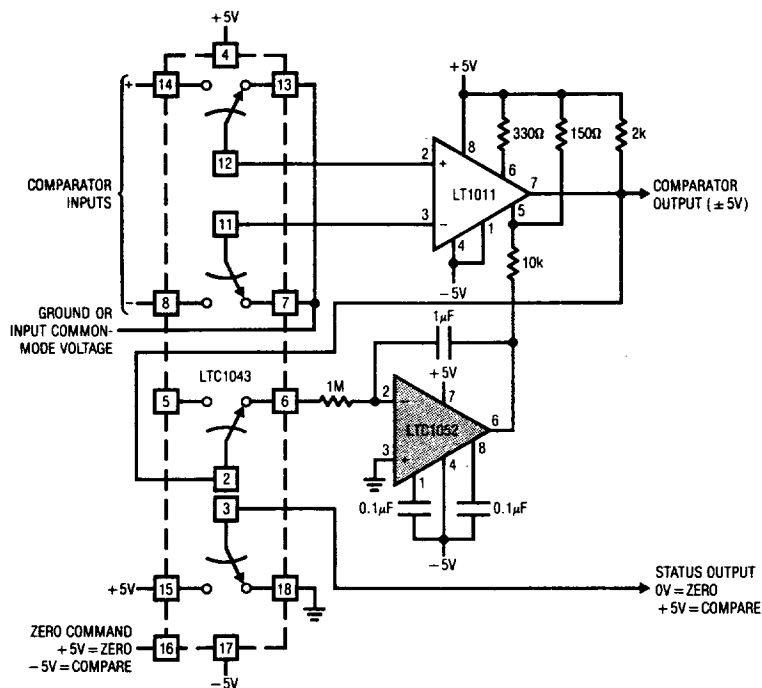
### 5V Powered Ultra Precision Instrumentation Amplifier



### Fast Precision Inverter

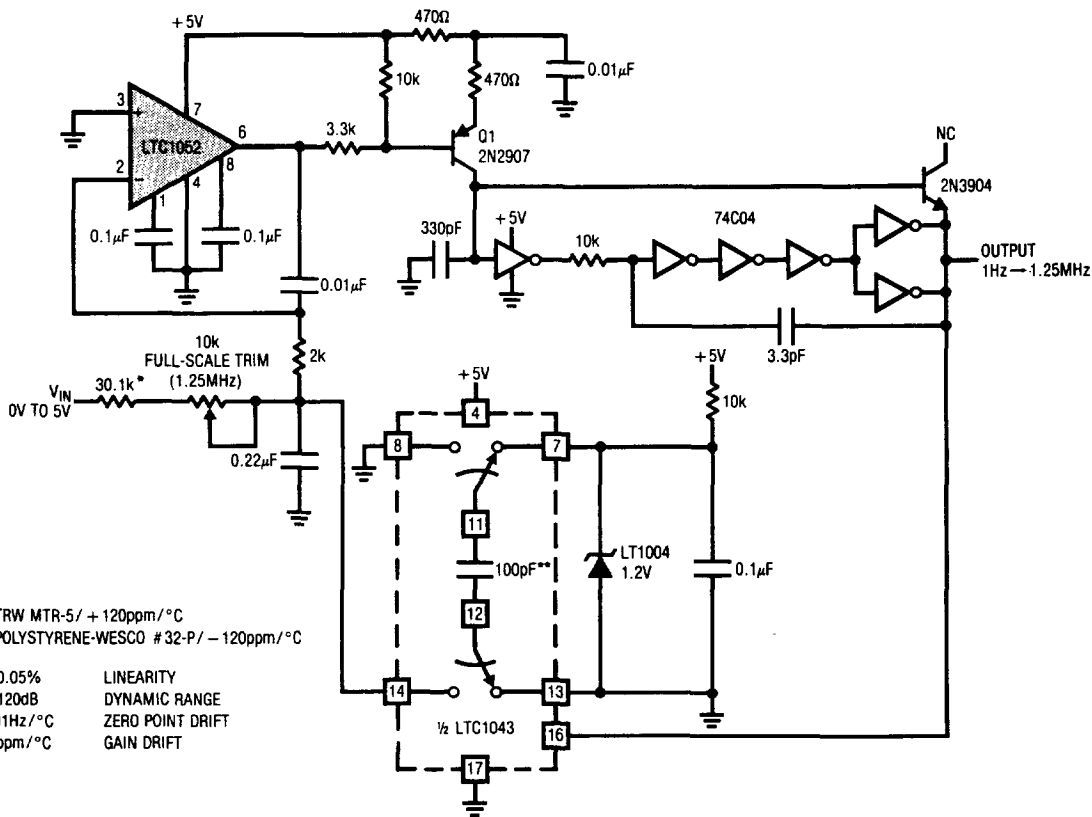


### Offset Stabilized Comparator



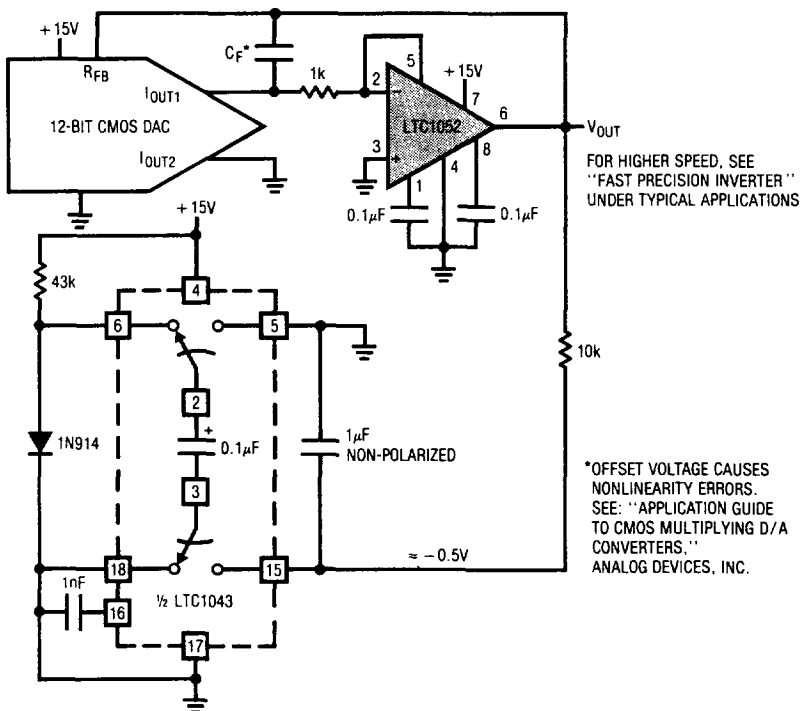
# TYPICAL APPLICATIONS

1Hz → 1.25MHz Voltage-to-Frequency Converter (+5V Supply)

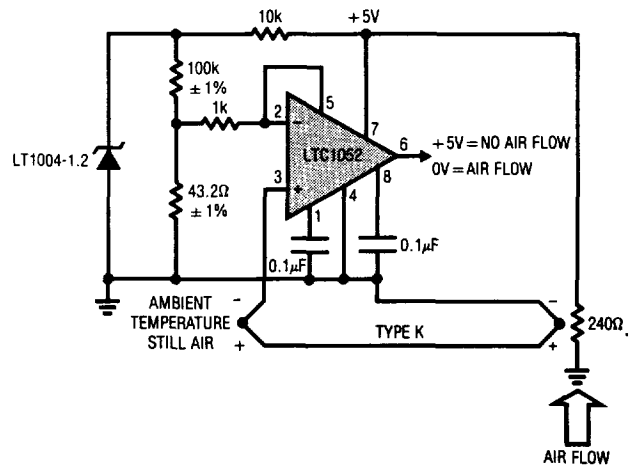


2

No  $V_{OS}$  Adjust\* CMOS DAC Buffer—Single Supply

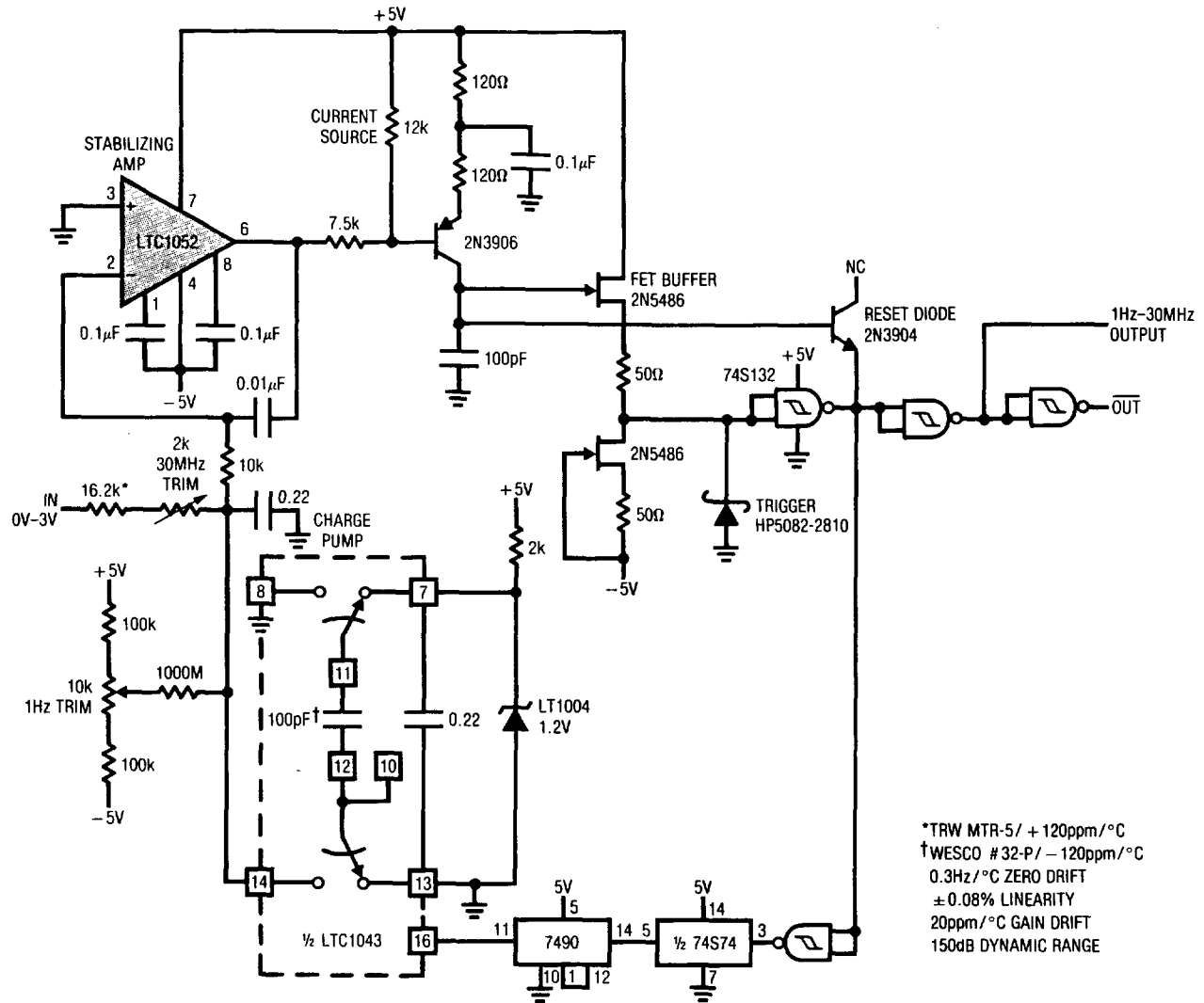


Air Flow Detector

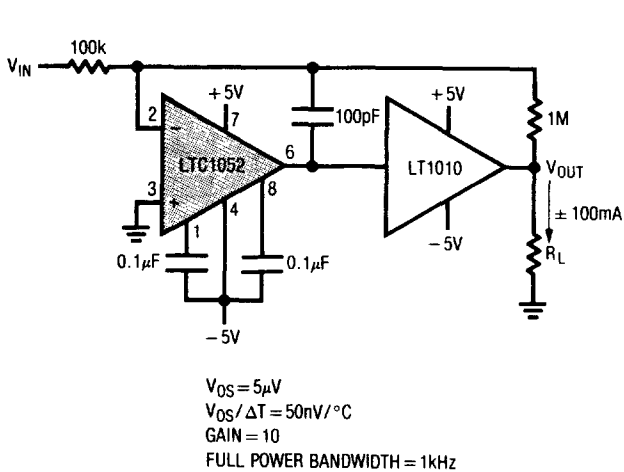


**TYPICAL APPLICATIONS**

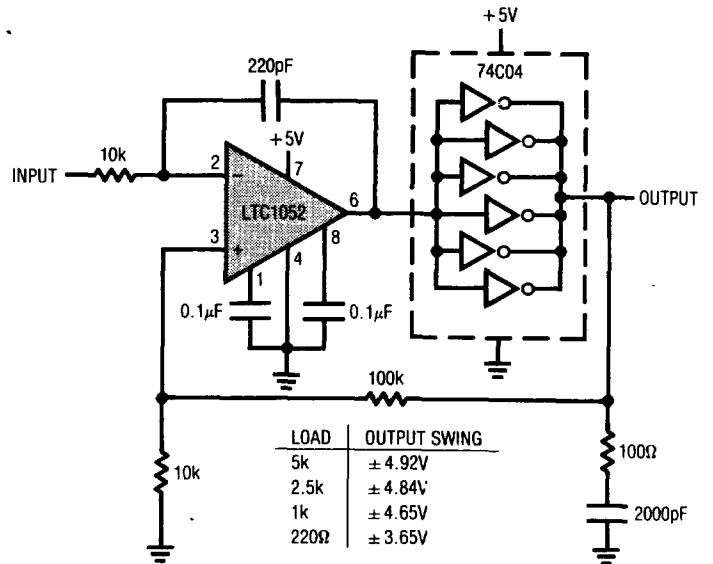
**1Hz → 30MHz Voltage-to-Frequency Converter**



**± 100mA Output Drive**

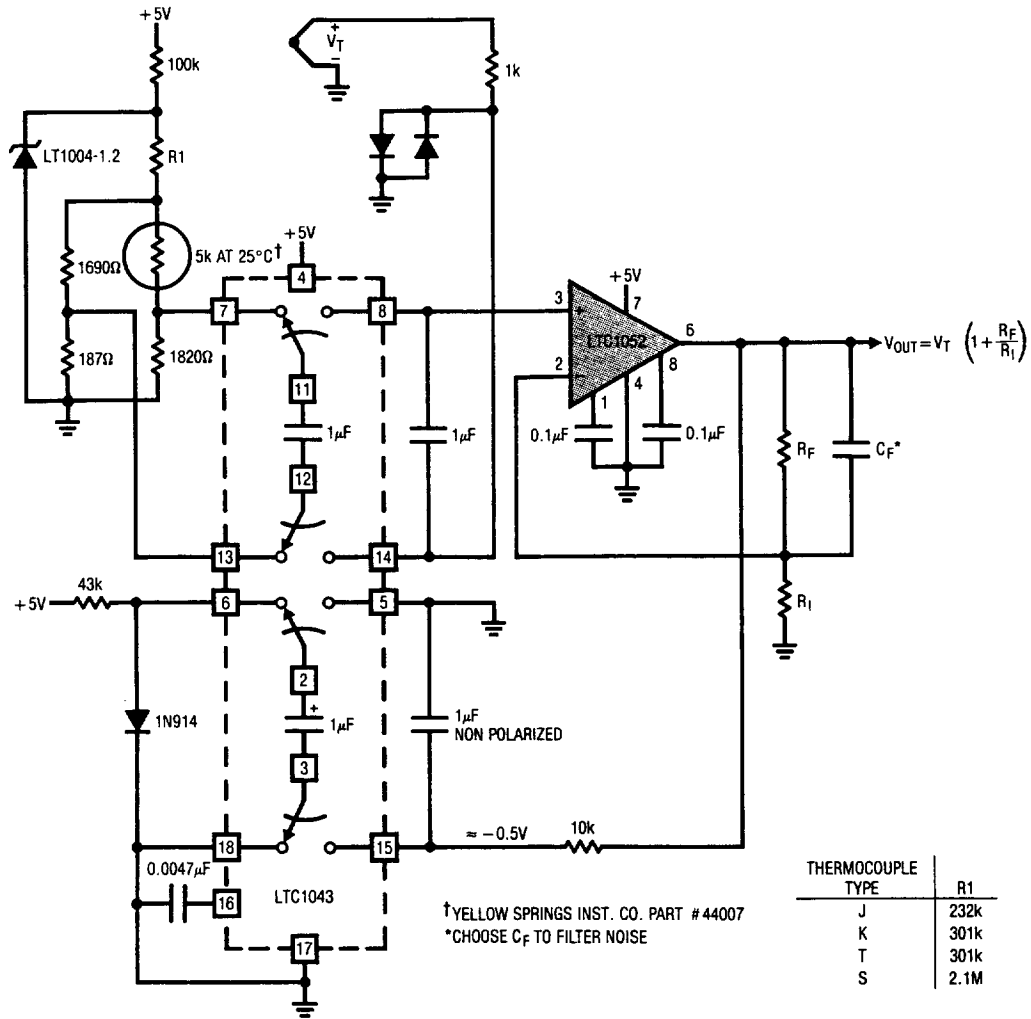


**Increasing Output Current**



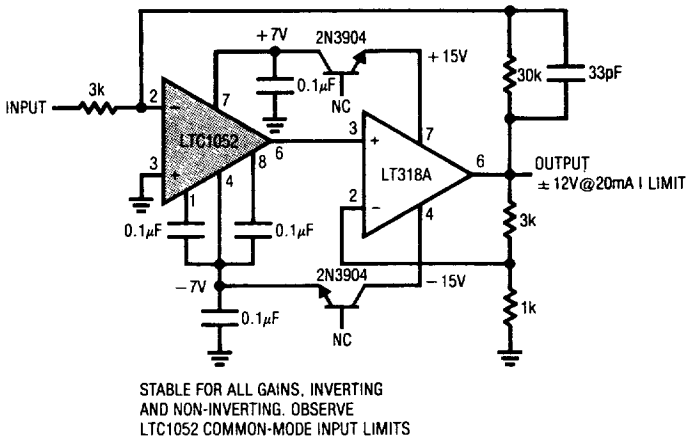
# TYPICAL APPLICATIONS

## Single +5V Thermocouple Amplifier with Cold Junction Compensation

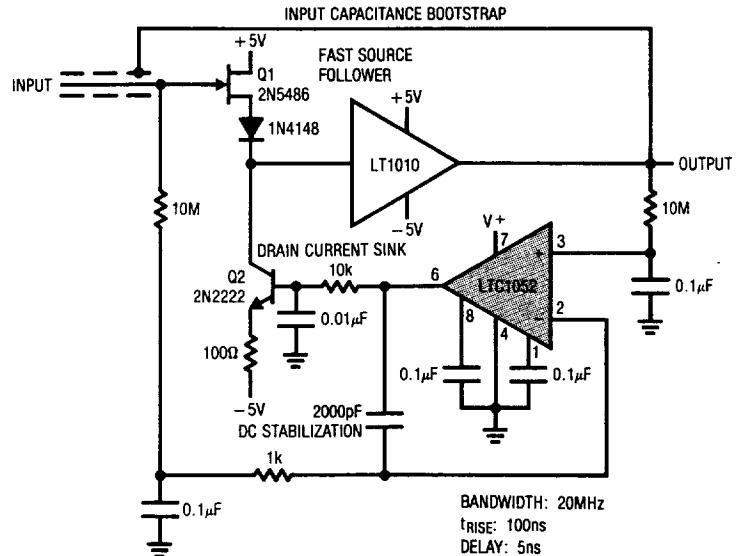


2

## Increasing Output Current and Voltage (V<sub>SUPPLY</sub> = ±15V)

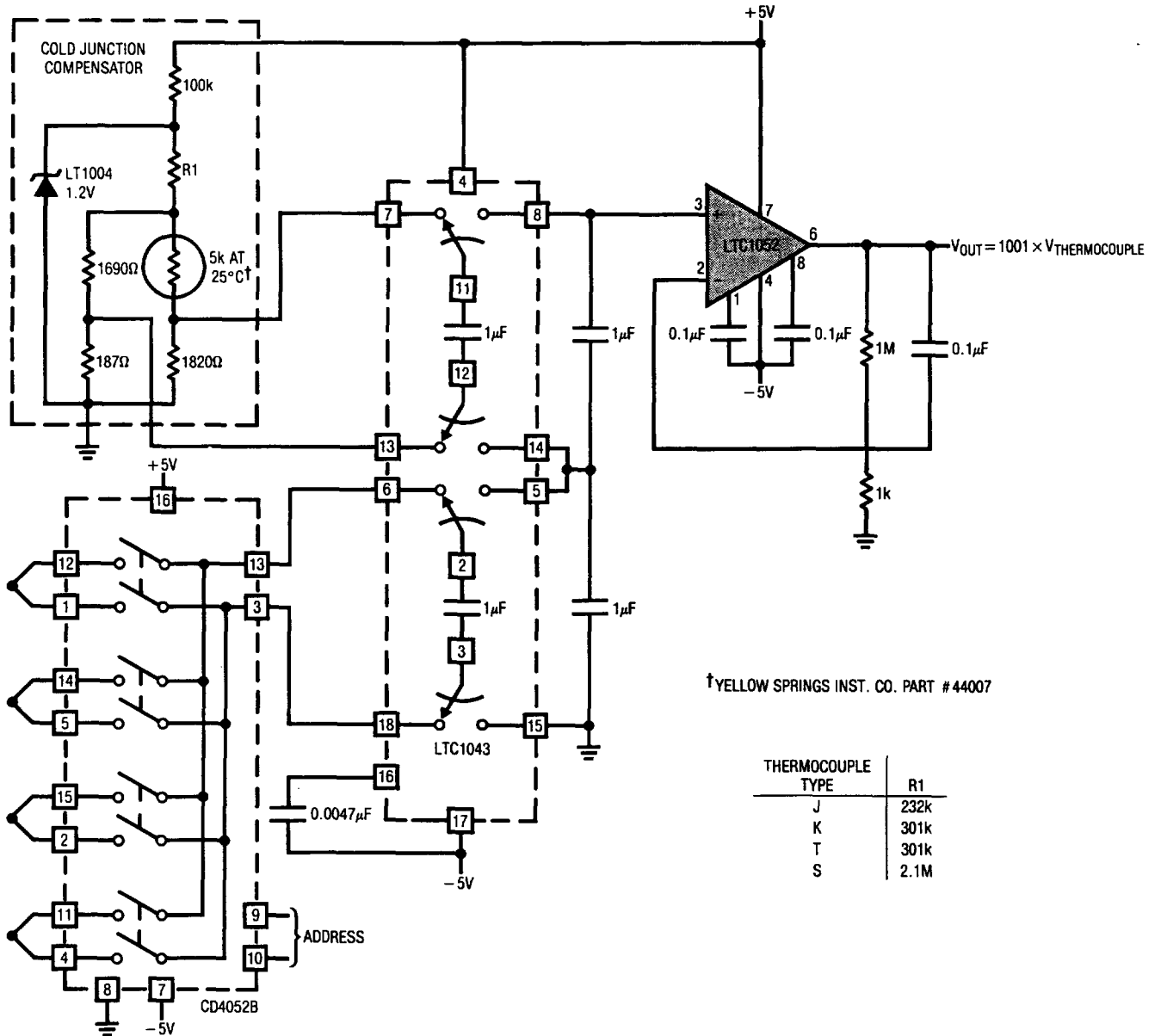


## DC Stabilized FET Probe



TYPICAL APPLICATIONS

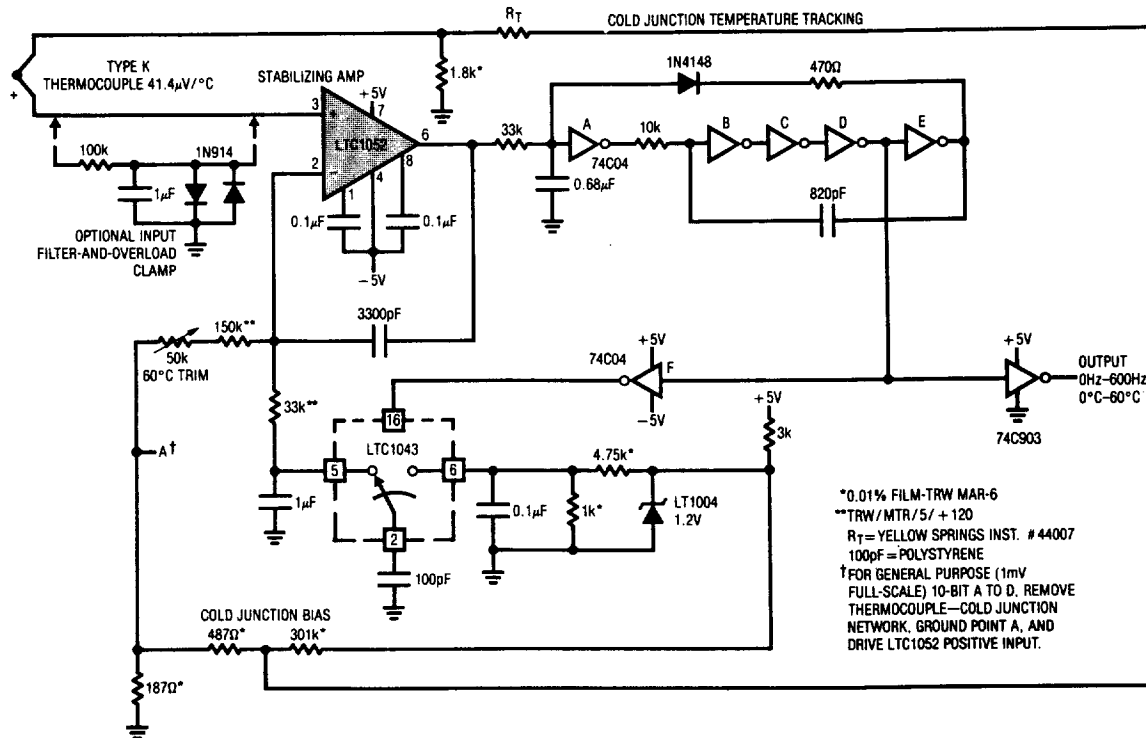
Precision Multiplexed Differential Thermocouple Amplifier





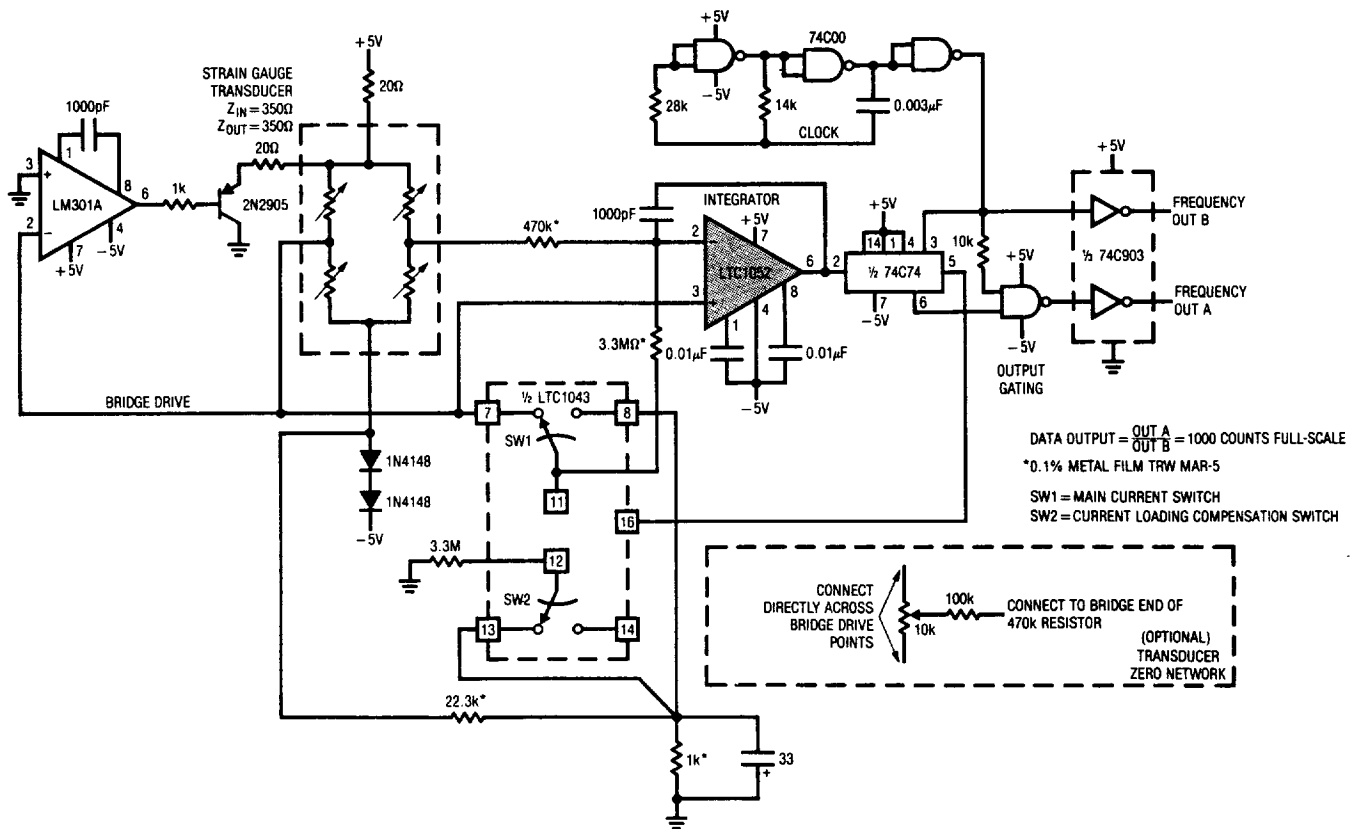
# TYPICAL APPLICATIONS

## Direct Thermocouple-to-Frequency Converter



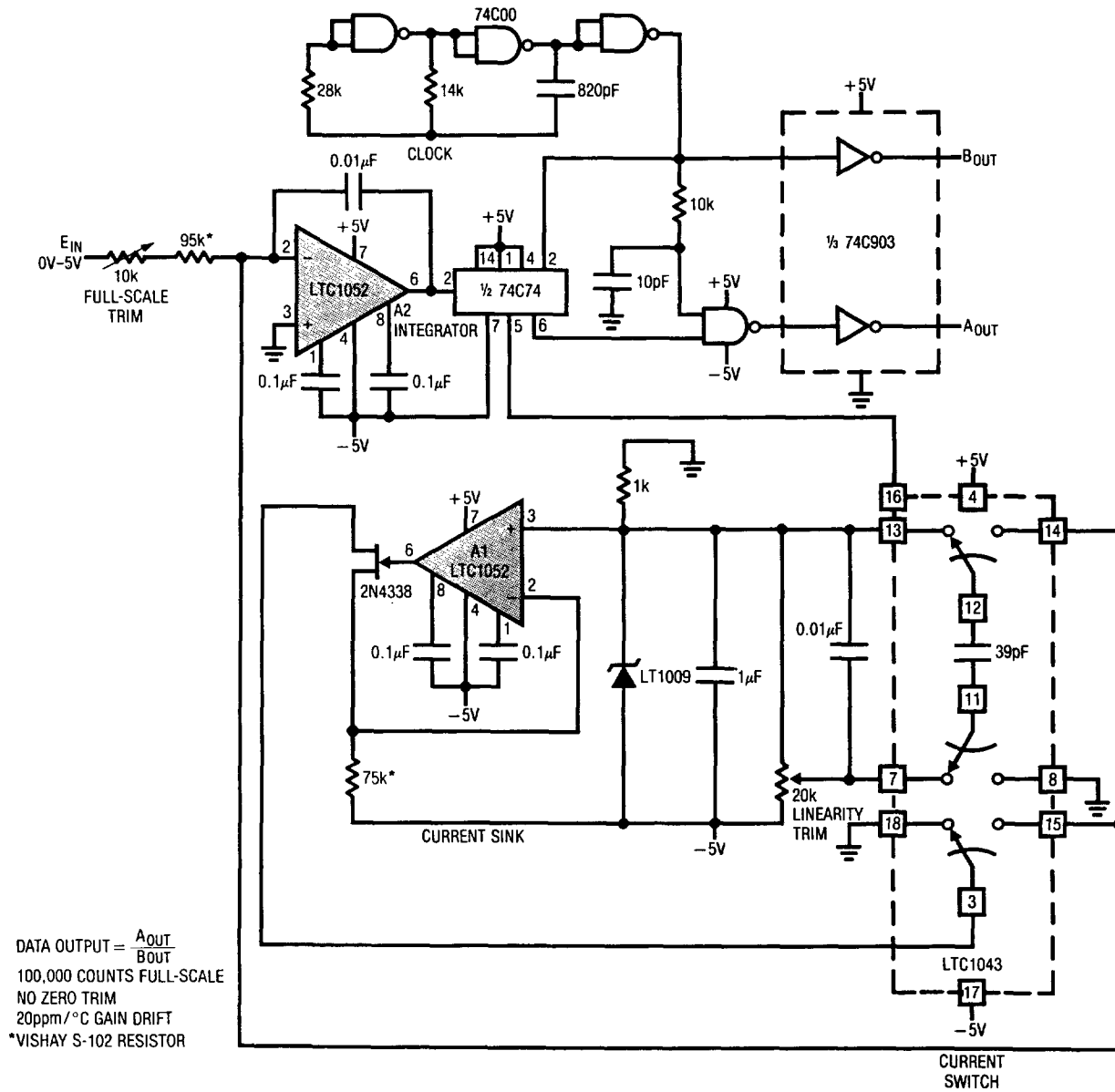
2

## Direct 10-Bit Strain Gauge Digitizer



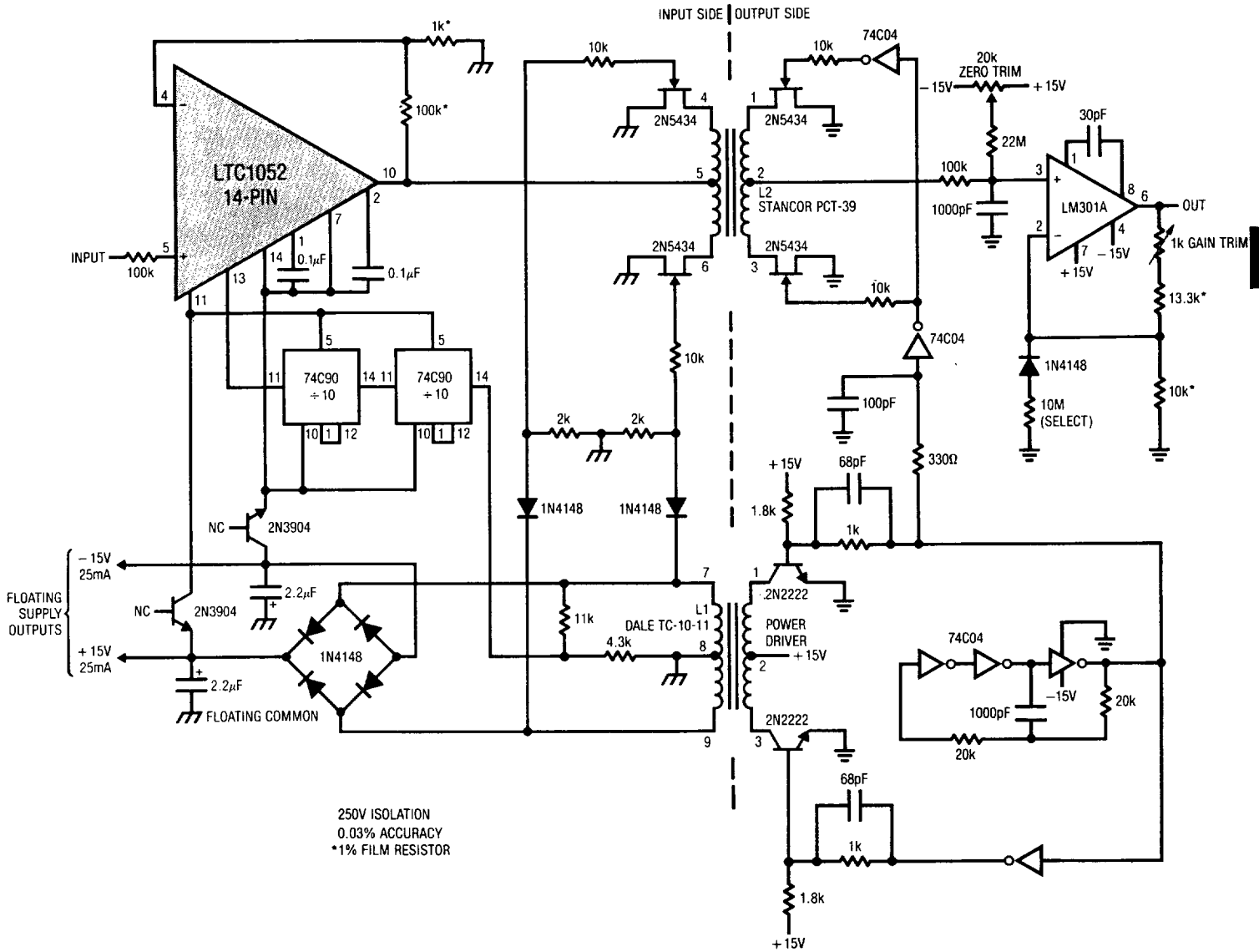
TYPICAL APPLICATIONS

16-Bit A → D Converter



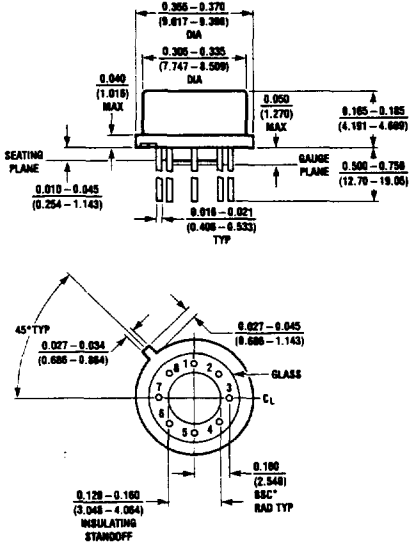
TYPICAL APPLICATIONS

Precision Isolation Amplifier

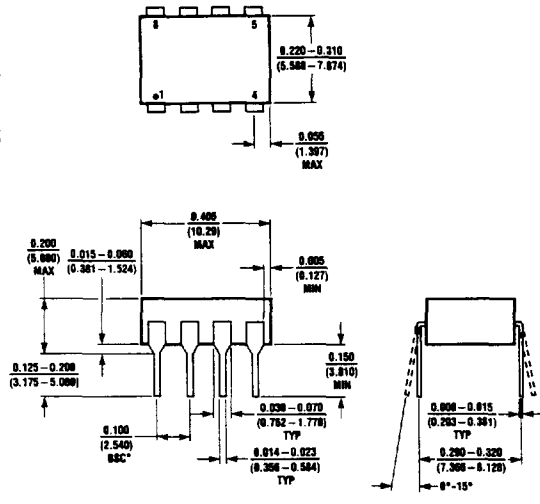


**PACKAGE DESCRIPTION** Dimensions in inches (millimeters) unless otherwise noted.

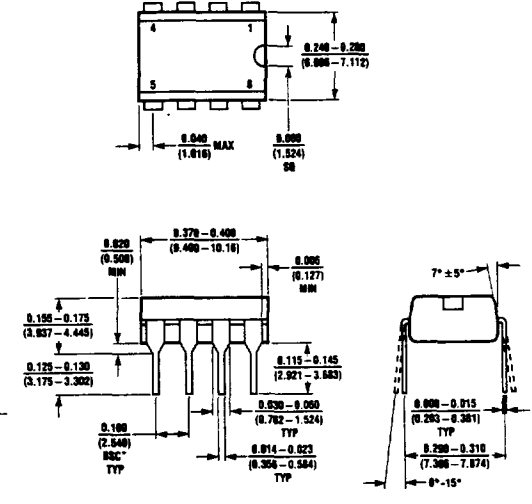
**H Package**  
Metal Can



**J8 Package**  
8 Lead Hermetic Dip



**N8 Package**  
8 Lead Plastic



\*LEADS WITHIN 0.007 OF TRUE POSITION (TP) AT GAUGE PLANE

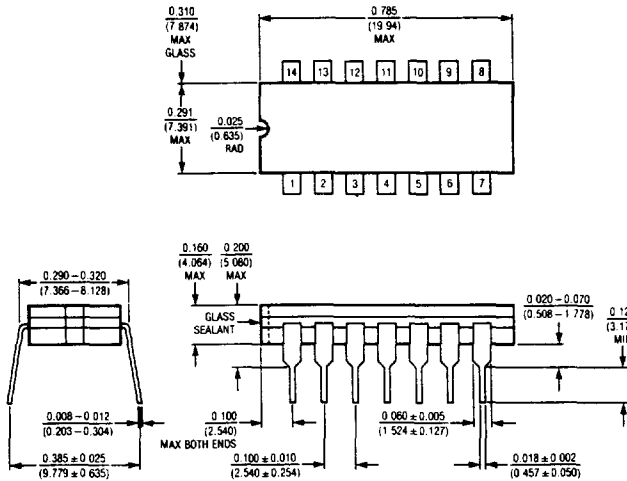
\*LEADS WITHIN 0.007 OF TRUE POSITION (TP) AT GAUGE PLANE.

T <sub>jmax</sub> 150°C	Θ <sub>JA</sub> 150°C/W	Θ <sub>Jc</sub> 45°C/W
----------------------------	----------------------------	---------------------------

T <sub>jmax</sub> 150°C	Θ <sub>JA</sub> 100°C/W
----------------------------	----------------------------

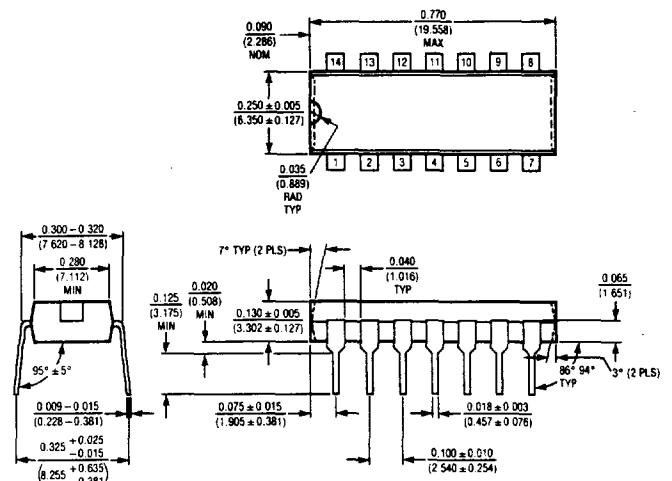
T <sub>jmax</sub> 110°C	Θ <sub>JA</sub> 150°C/W
----------------------------	----------------------------

**J Package**  
14-Lead Hermetic DIP



T <sub>jmax</sub> 150°C	Θ <sub>JA</sub> 80°C/W
----------------------------	---------------------------

**N Package**  
14-Lead Plastic



T <sub>jmax</sub> 110°C	Θ <sub>JA</sub> 130°C/W
----------------------------	----------------------------